

### Features

- Low power consumption
- Low voltage drop
- Low temperature coefficient
- Low Quiescent Current: 3.5uA at 6V
- Output voltage accuracy: tolerance  $\pm 2\%$

### Applications

- Battery-powered equipment
- Reference voltage sources
- Cameras, video cameras
- Portable AV systems
- Mobile phones
- Portable games

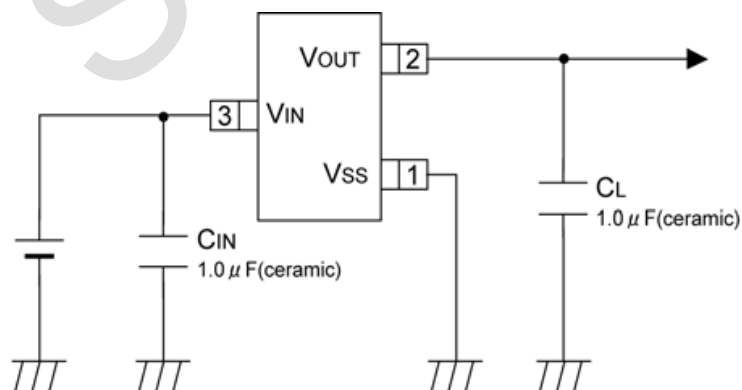
### General Description

SSP6206 series are a highly precise, lower consumption, 3 terminal, positive voltage regulators manufactured using CMOS and laser trimming technologies. The series provides large currents with a significantly small dropout voltage.

The SSP6206 consists of a current limiter circuit, a driver transistor, a precision reference voltage and an error correction circuit. The series is compatible with low ESR ceramic capacitors. The

current limiter's foldback circuit operates as a short circuit protection as well as the output current limiter for the output pin. Output voltages are internally by laser trimming technologies. It is selectable in 0.1V increments within a range of 1.2V to 5.0V. SSP6206 series are available in SOT-23, SOT23-3 and SOT89 packages.

### Typical Application



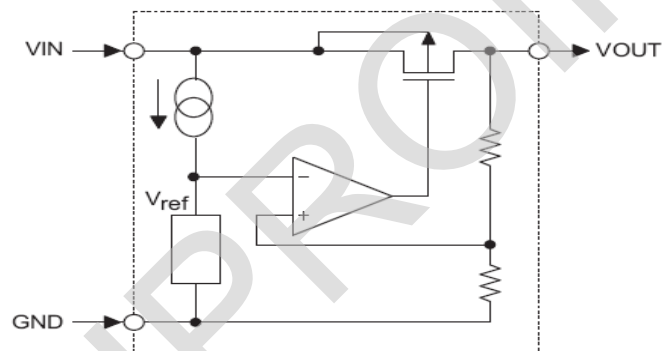
### Order Information

SSP6206-①②③④

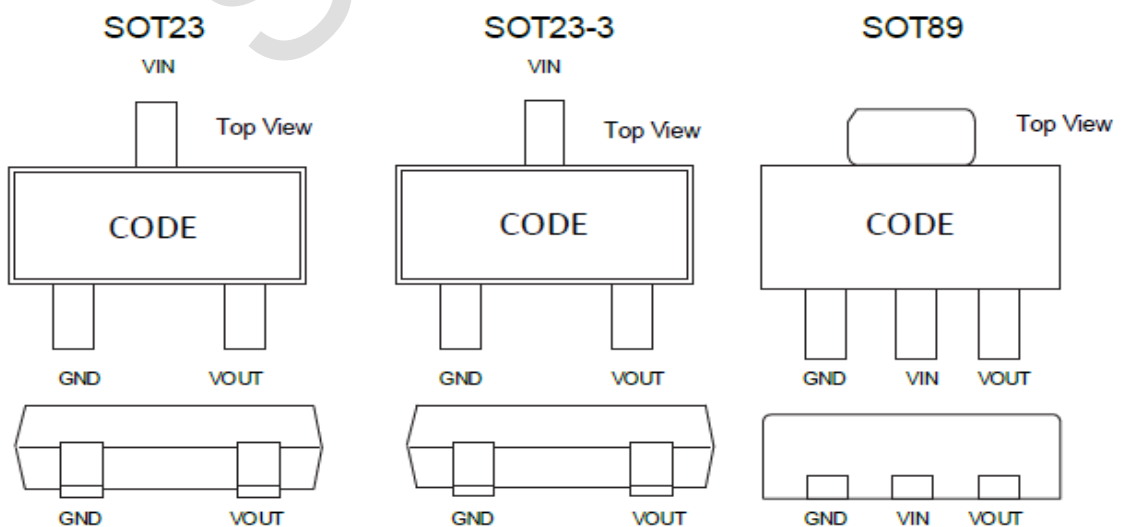
Designator	Symbol	Description
① ②	Integer	Output Voltage(1.2V~5.0V)
③	N	Package:SOT23
	M	Package:SOT23-3
	P	Package:SOT89
④	R	RoHS / Pb Free
	G	Halogen Free

Note: "①②" stands for output voltages. Other voltages can be specially customized.

### Block Diagram



### Pin Assignment



### Marking Rule

Product name	Product code			
	(1)	(2)	(3)	(4)
SSP6206-12YR	6	5	B	X
SSP6206-15YR	6	5	E	X
SSP6206-18YR	6	5	K	X
SSP6206-25YR	6	5	T	X
SSP6206-28YR	6	5	X	X
SSP6206-30YR	6	5	Z	X
SSP6206-33YR	6	6	2	X
SSP6206-36YR	6	6	5	X
SSP6206-50YR	6	6	M	X

**Note:** Y: Representative product packaging ,

### Absolute Maximum Ratings

Parameter		Symbol	Ratings	Units
Input Voltage		$V_{IN}$	8	V
Output Current		$I_{OUT}$	300*	mA
Output Voltage		$V_{OUT}$	$V_{SS}-0.3\sim V_{IN}+0.3$	V
Power Dissipation	SOT-23	$P_d$	0.20	W
	SOT23-3		0.25	W
	SOT89		0.50	W
Operating Temperature Range		$T_{opr}$	-40~+85	°C
Storage Temperature Range		$T_{stg}$	-55~+125	°C

\* $I_{OUT}=P_d/(V_{IN}-V_{OUT})$

### Electrical Characteristics

SSP6206 for any output voltage

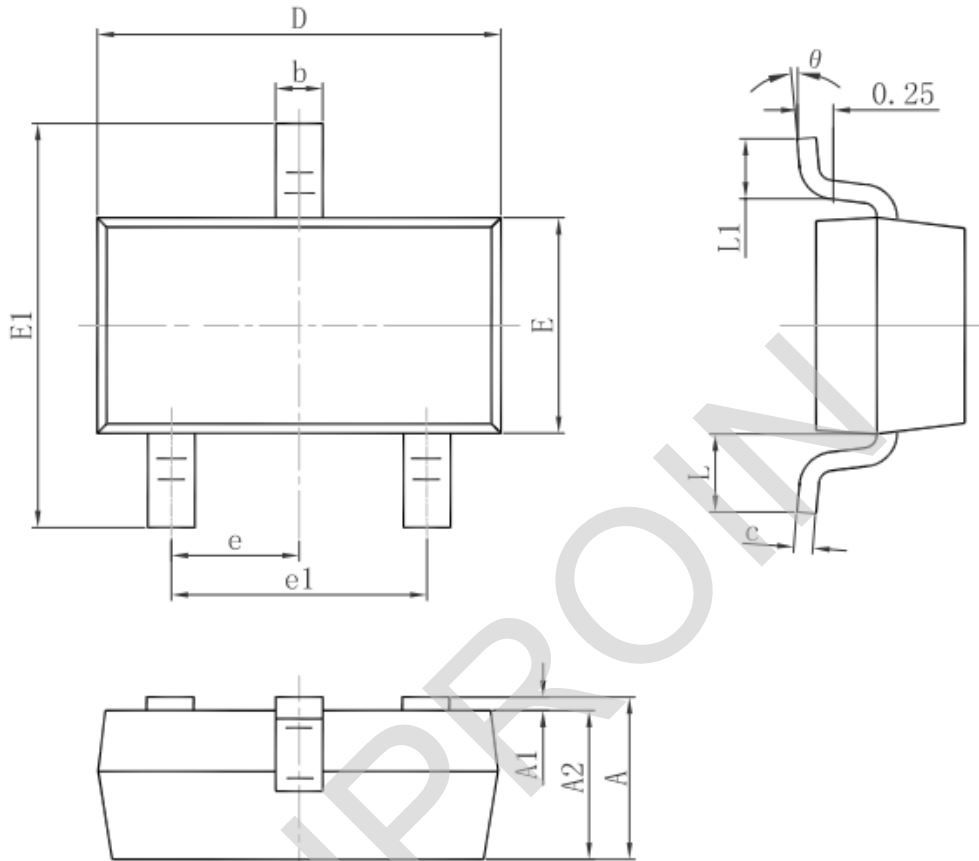
( $T_a=25^{\circ}\text{C}$ )

Parameter	Symbol	Conditions	Min.	Typ.	Max.	Unit
Output Voltage	$V_{out}$	$V_{in}=V_{out}+1\text{V}$ $1.0\text{mA}\leq I_{out}\leq 30\text{mA}$	$V_{out}\times 0.98$	--	$V_{out}\times 1.02$	V
Output Current*1	$I_{out}$	$V_{in}-V_{out}=1\text{V}$	--	300	--	mA
Low dropout*2	$V_{drop}$	Refer to the next table				
Line Regulation	$\Delta V_{out}/(V_{in}-V_{out})$	$1.6\text{V}\leq V_{in}\leq 8\text{V}$ $I_{out}=40\text{mA}$	--	0.05	0.2	%/V
Load Regulation	$\Delta V_{out}/\Delta I_{out}$	$V_{in}=V_{out}+1\text{V}$ $1.0\text{mA}\leq I_{out}\leq 80\text{mA}$	--	12	30	mV
Output voltage Temperature Coefficiency	$\Delta V_{out}/(T_a-V_{out})$	$I_{out}=30\text{mA}$ $0^{\circ}\text{C}\leq T_a\leq 70^{\circ}\text{C}$	--	$\pm 100$	--	Ppm/ $^{\circ}\text{C}$
Supply Current	$I_{ss1}$	--	--	3.5	5	$\mu\text{A}$
Input Voltage	$V_{in}$	--	--	6	8	V
PSRR	PSRR	$F=1\text{KHz}$ $V_{in}=V_{out}+1\text{V}$	--	50	--	dB
Output Noise	EN	$\text{BW}=10\text{Hz}\sim 100\text{KHz}$	--	30	--	$\mu\text{V}_{rms}$

### Electrical Characteristics by Output Voltage:

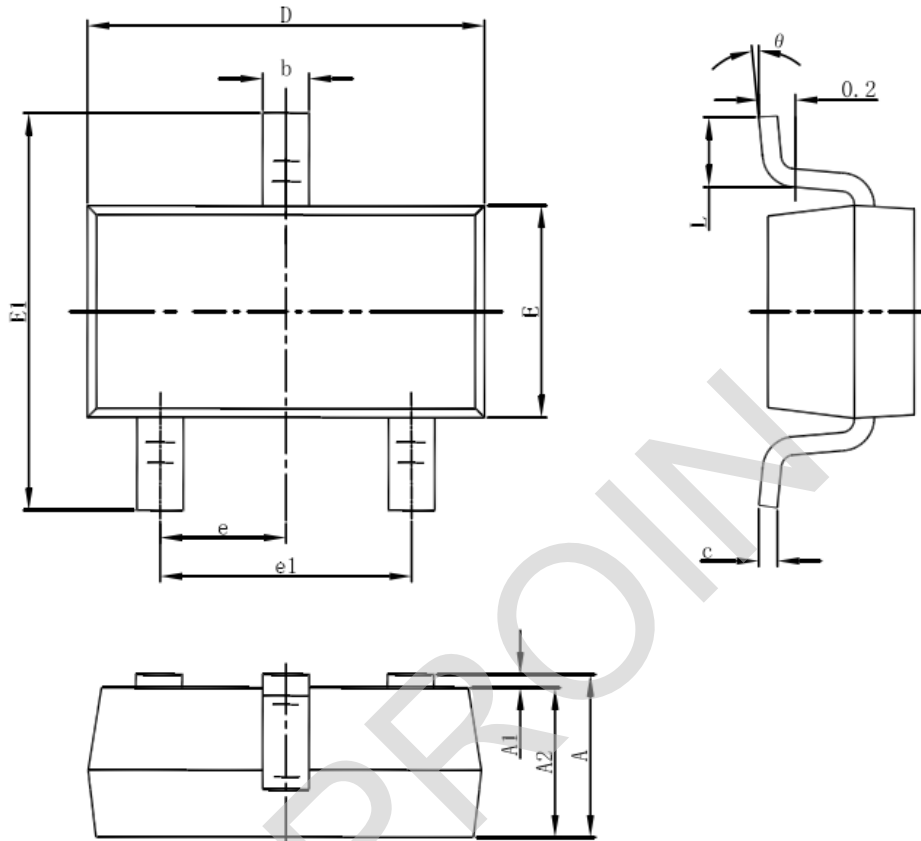
Output Voltage $V_{out}(V)$	Dropout Voltage $V_{dif}$ (V)		
	Conditions	Typ.	Max.
$V_{out}\leq 1.5\text{V}$	$I_{out}=100\text{mA}$	0.35	0.57
$1.8\leq V_{out}\leq 2$		0.28	0.42
$2.8\leq V_{out}\leq 5.0$		0.19	0.35

Package Information  
3-pin SOT23 Outline Dimensions



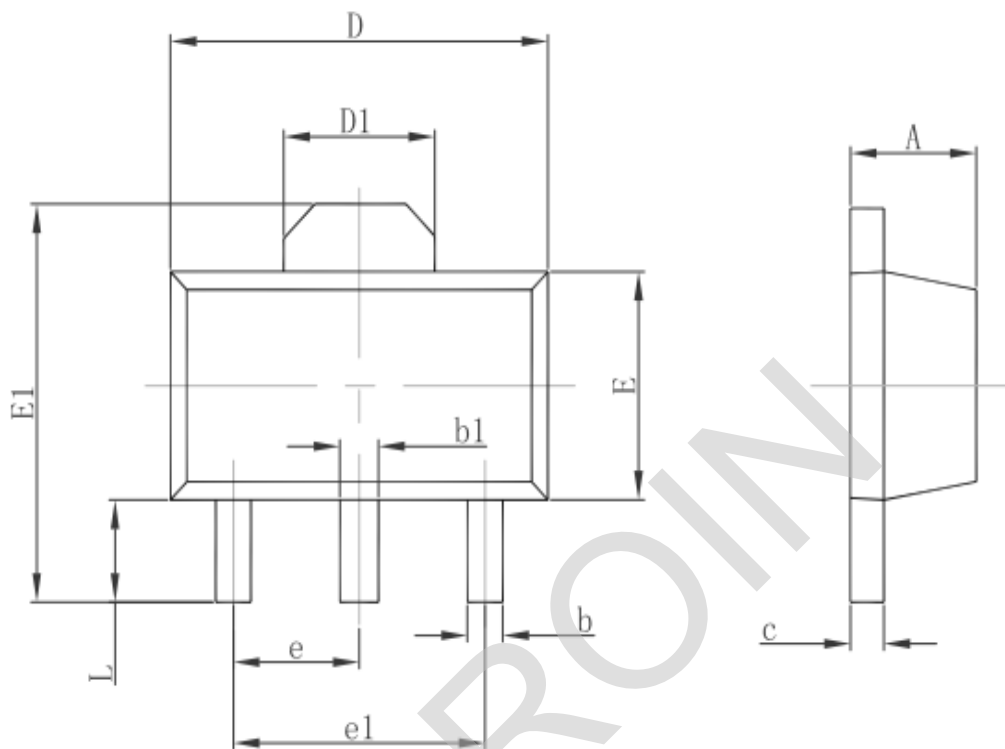
Symbol	Dimensions In Millimeters		Dimensions In Inches	
	Min.	Max.	Min.	Max.
A	0.900	1.150	0.035	0.045
A1	0.000	0.100	0.000	0.004
A2	0.900	1.050	0.035	0.041
b	0.300	0.500	0.012	0.020
c	0.080	0.150	0.003	0.006
D	2.800	3.000	0.110	0.118
E	1.200	1.400	0.047	0.055
E1	2.250	2.550	0.089	0.100
e	0.950 TYP.		0.037 TYP.	
e1	1.800	2.000	0.071	0.079
L	0.550 REF.		0.022 REF.	
L1	0.300	0.500	0.012	0.020
θ	0°	8°	0°	8°

3-pin SOT23-3 Outline Dimensions



Symbol	Dimensions In Millimeters		Dimensions In Inches	
	Min	Max	Min	Max
A	1.050	1.250	0.041	0.049
A1	0.000	0.100	0.000	0.004
A2	1.050	1.150	0.041	0.045
b	0.300	0.500	0.012	0.020
c	0.100	0.200	0.004	0.008
D	2.820	3.020	0.111	0.119
E	1.500	1.700	0.059	0.067
E1	2.650	2.950	0.104	0.116
e	0.950(BSC)		0.037(BSC)	
e1	1.800	2.000	0.071	0.079
L	0.300	0.600	0.012	0.024
θ	0°	8°	0°	8°

3-pin SOT89 Outline Dimensions



Symbol	Dimensions In Millimeters		Dimensions In Inches	
	Min.	Max.	Min.	Max.
A	1.400	1.600	0.055	0.063
b	0.320	0.520	0.013	0.020
b1	0.400	0.580	0.016	0.023
c	0.350	0.440	0.014	0.017
D	4.400	4.600	0.173	0.181
D1	1.550 REF.		0.061 REF.	
E	2.300	2.600	0.091	0.102
E1	3.940	4.250	0.155	0.167
e	1.500 TYP.		0.060 TYP.	
e1	3.000 TYP.		0.118 TYP.	
L	0.900	1.200	0.035	0.047

## X-ON Electronics

Largest Supplier of Electrical and Electronic Components

*Click to view similar products for [Linear Voltage Regulators](#) category:*

*Click to view products by [Siproin](#) manufacturer:*

Other Similar products are found below :

[LV5684PVD-XH](#) [MCDTSA6-2R](#) [L7815ACV-DG](#) [LV56801P-E](#) [UA7805CKC](#) [714954EB](#) [ZMR500QFTA](#) [BA033LBSG2-TR](#)  
[NCV78M05ABDTRKG](#) [LV5680P-E](#) [L79M05T-E](#) [L78LR05D-MA-E](#) [NCV317MBTG](#) [NTE7227](#) [MP2018GZD-33-P](#) [MP2018GZD-5-P](#)  
[LV5680NPVC-XH](#) [ZTS6538SE](#) [UA78L09CLP](#) [UA78L09CLPR](#) [CAT6221-PPTD-GT3](#) [MC78M09CDTRK](#) [NCV51190MNTAG](#)  
[BL1118CS8TR1833](#) [BL8563CKETR18](#) [BL8077CKETR33](#) [BL9153-33CC3TR](#) [BL9161G-15BADRN](#) [BL9161G-28BADRN](#)  
[BRCO7530MMC](#) [CJ7815B-TFN-ARG](#) [LM317C](#) [GM7333K](#) [GM7350K](#) [XC6206P332MR](#) [HT7533](#) [LM7912S/TR](#) [LT1764S/TR](#) [LM7805T](#)  
[LM338T](#) [LM1117IMP-3.3/TR](#) [HT1117AM-3.3](#) [HT7550S](#) [AMS1117-3.3](#) [HT7150S](#) [78L12](#) [HT7550](#) [HT7533-1](#) [HXY6206I-2.5](#) [HT7133](#)