

Features

- Low voltage drop: 0.17V@100mA
- High input voltage: 15V
- Low temperature coefficient
- Large Output Current: 0.5A
- Low Quiescent Current: 1.5uA
- Output voltage accuracy: tolerance $\pm 2\%$
- Built-in current limiter
- SOT89-3, SOT23-3 and SOT23-5 packages

Applications

- Battery-powered equipment
- Hand-Hold Equipment
- GRS Receivers
- Wireless LAN

General Description

The SSP7603 series is a group of positive voltage output, three-pin regulators, that provide a high current even when the input/output voltage differential is small. Low power consumption and high accuracy is achieved through CMOS and laser trimming technologies.

The SSP7603 consists of a high-precision voltage reference, an error amplification circuit, and a current limited output driver. Transient response to load variations have improved in comparison to the existing series. SOT89-3, SOT23-3 and SOT23-5 packages are available.

Order Information

SSP7603P①②③④

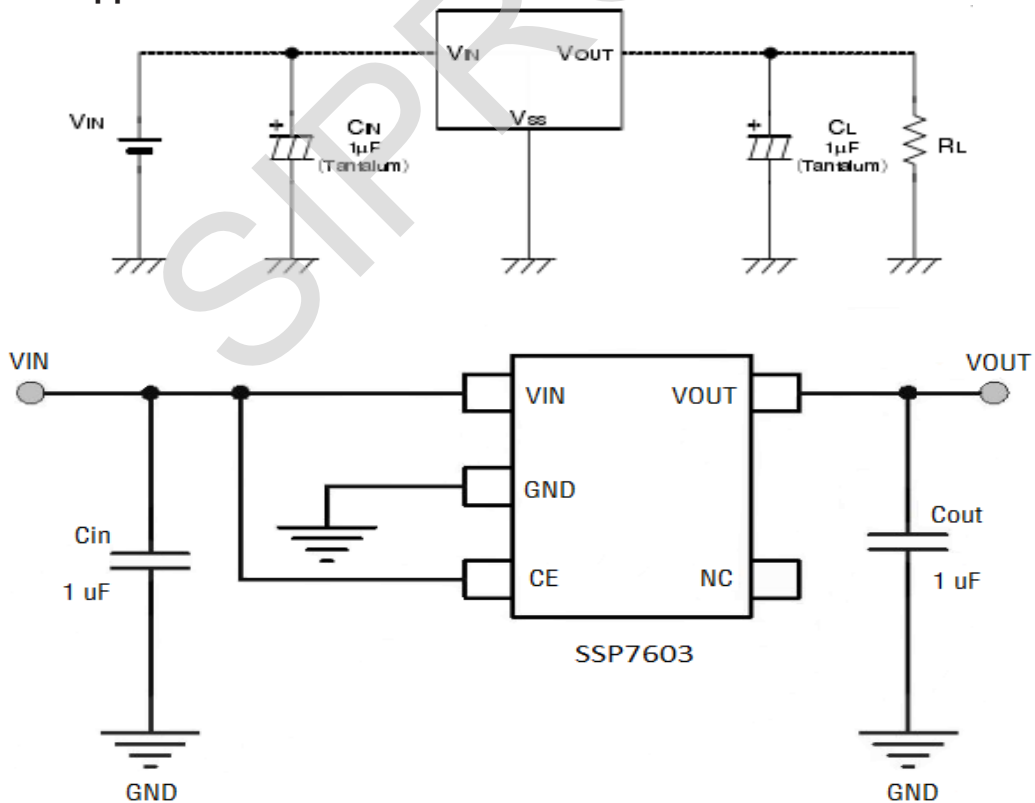
| Designator | Symbol | Description |
|------------|---------|---------------------------|
| ① ② | Integer | Output Voltage(1.2V~5.0V) |
| ③ | P | Package:SOT89-3 |
| | M | Package:SOT23-3 |
| | M5 | Package:SOT23-5 |
| ④ | R | RoHS / Pb Free |
| | G | Halogen Free |

Note: "①②" stands for output voltages. Other voltages can be specially customized.

Selection Table

| Part No. | Output Voltage | Package |
|--------------|----------------|-------------------------------|
| SSP7603P15XX | 1.5V | SOT89-3 SOT23-3 SOT23-5 |
| SSP7603P18XX | 1.8V | |
| SSP7603P25XX | 2.5V | |
| SSP7603P26XX | 2.6V | |
| SSP7603P27XX | 2.7V | |
| SSP7603P28XX | 2.8V | |
| SSP7603P30XX | 3.0V | |
| SSP7603P33XX | 3.3V | |
| SSP7603P36XX | 3.6V | |
| SSP7603P40XX | 4.0V | |
| SSP7603P44XX | 4.4V | |
| SSP7603P45XX | 4.5V | |
| SSP7603P50XX | 5.0V | |

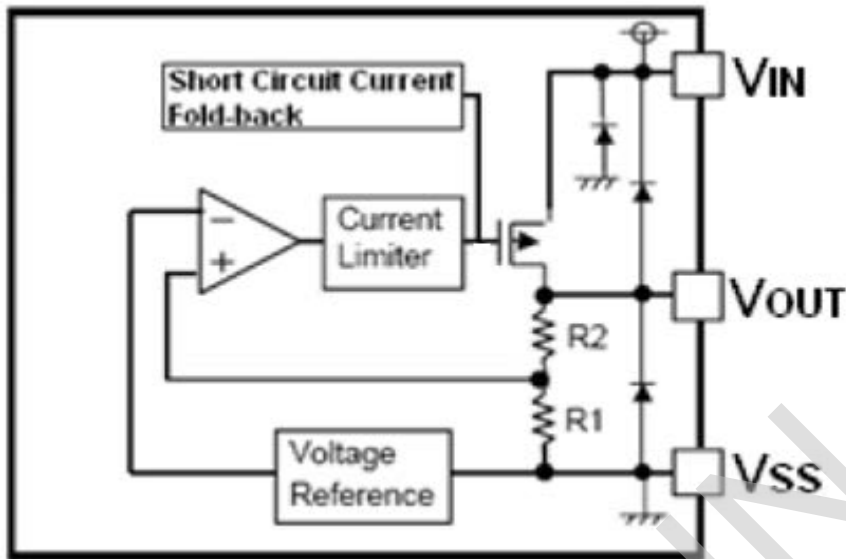
Typical Application



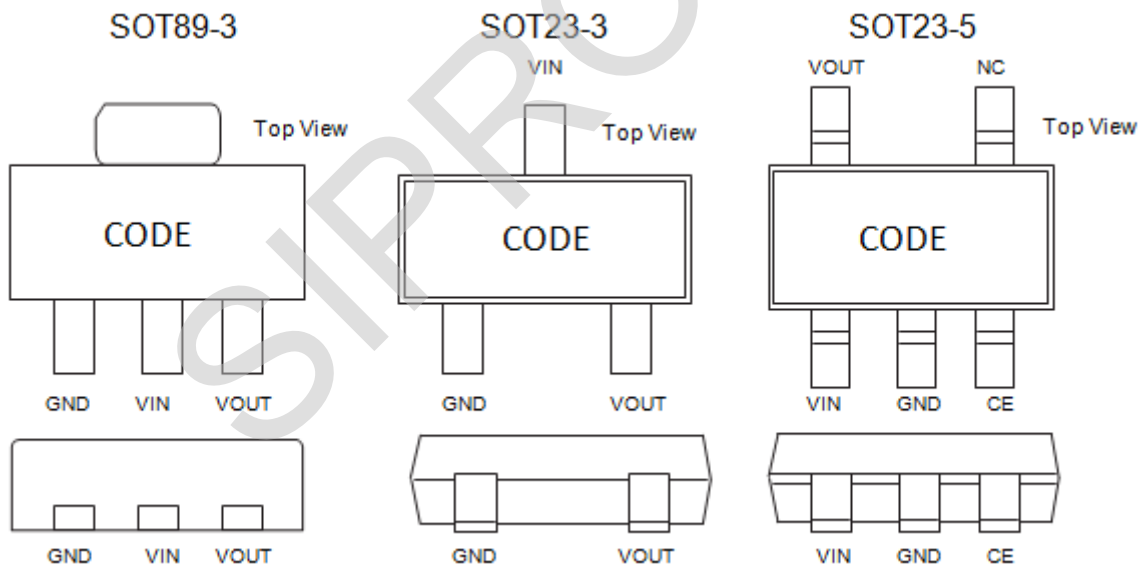
Note1: Input capacitor $C_{IN}=1\mu F$.

Note2: Output capacitor $C_{OUT}=1\mu F/6.8\mu F$ (1uF Tantalum capacitor or 6.8uF ceramic capacitor is recommended).

Block Diagram



Pin Assignment



Absolute Maximum Ratings

| | | | |
|-----------------------------|---------------|---------------------------|----------------|
| Supply Voltage | -0.3V to 18V | Storage Temperature | -40°C to 125°C |
| Operating Temperature | -40°C to 85°C | | |

Note: These are stress ratings only. Stresses exceeding the range specified under “Absolute Maximum Ratings” may cause substantial damage to the device. Functional operation of this device at other conditions beyond those listed in the specification is not implied and prolonged exposure to extreme conditions may affect device reliability.

Electrical Characteristics

SSP7603 for any output voltage

(Ta=25°C)

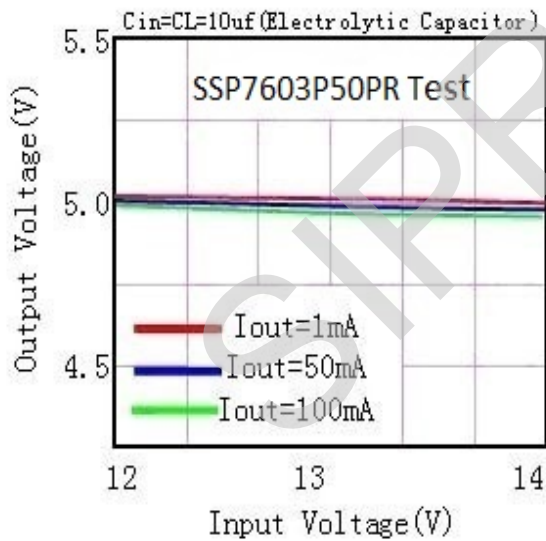
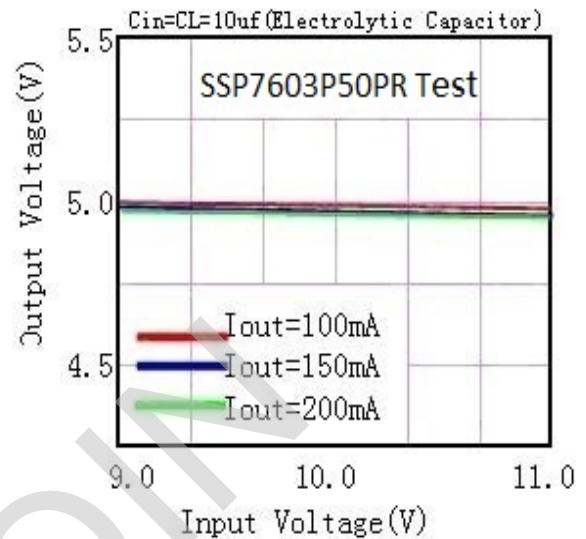
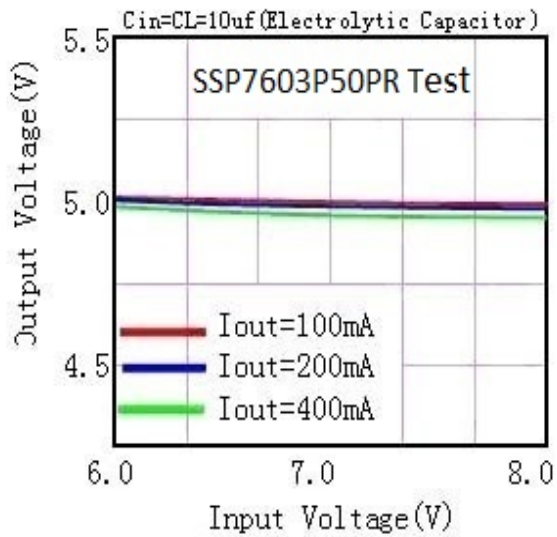
| Parameter | Symbol | Conditions | Min. | Typ. | Max. | Unit |
|---|-----------------------------------|----------------------------------|-----------|------|-----------|--------|
| Output Voltage | Vout | Vin=Vout+1V 1.0mA≤Iout≤30mA | Vout×0.98 | -- | Vout×1.02 | V |
| Output Current*1 | Iout | Vin-Vout=1V | -- | 500 | -- | mA |
| Low dropout*2 | Vdrop | Refer to the next table | | | | |
| Line Regulation | $\Delta V_{out}/(V_{in}-V_{out})$ | 1.6V≤Vin≤8V Iout=100mA | -- | 0.05 | 0.2 | %/V |
| Load Regulation | ΔV_{out} | Vin= Vout+1V 1.0mA≤Iout≤100mA | -- | 12 | 30 | mV |
| Output voltage Temperature Coefficiency | $\Delta V_{out}/(T_a-V_{out})$ | Iout=30mA 0°C≤Ta≤70°C | -- | ±100 | -- | Ppm/°C |
| PSRR | PSRR | F=1KHz Vin=Vout+1V | -- | 40 | -- | dB |
| Supply Current | Iss1 | -- | -- | 1 | 2 | uA |
| Input Voltage | Vin | -- | 3.5 | -- | 15 | V |

Electrical Characteristics by Output Voltage:

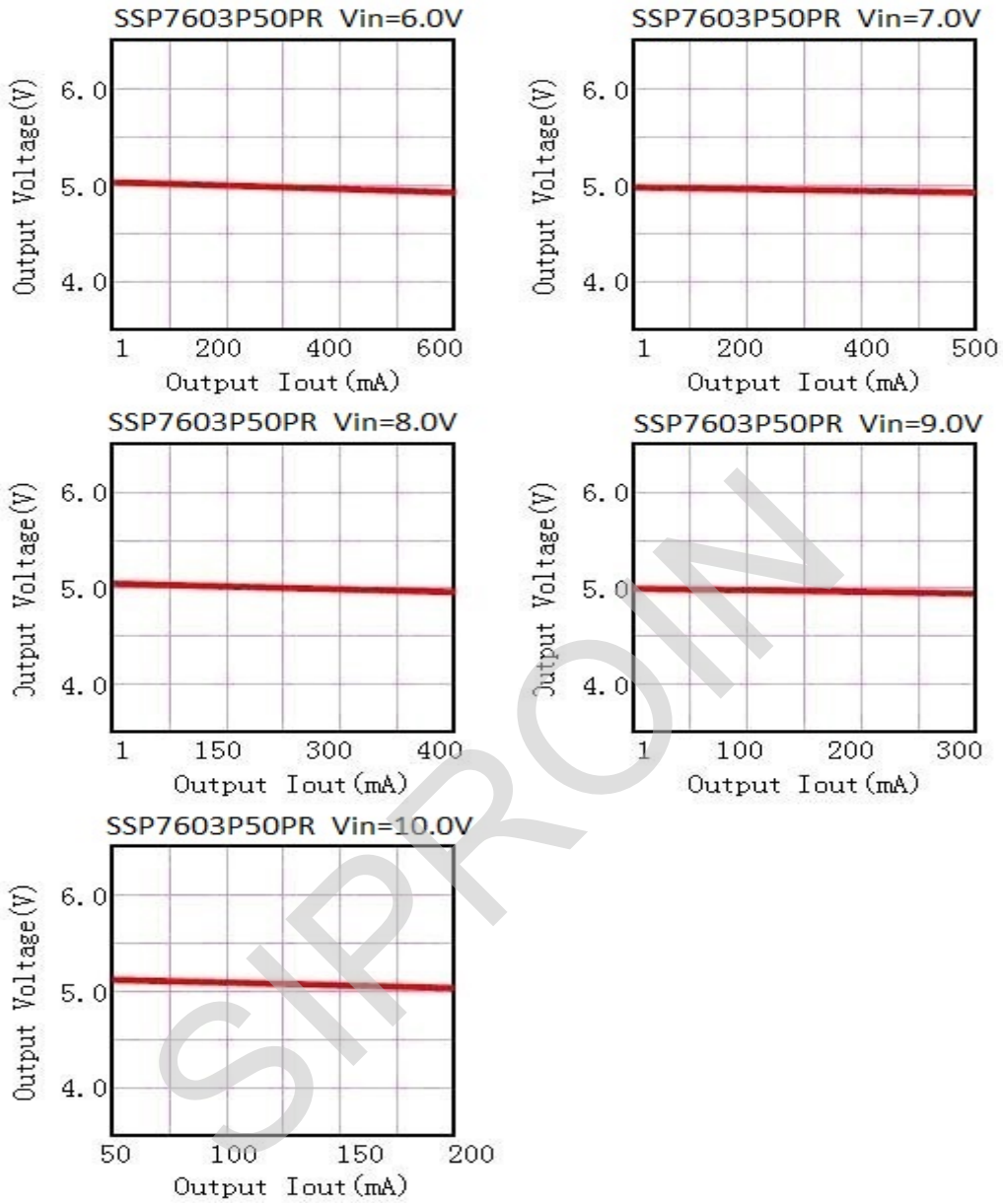
| Output Voltage Vout(V) | Dropout Voltage Vdif (V) | | |
|------------------------|--------------------------|------|------|
| | Conditions | Typ. | Max. |
| Vout ≤ 2.0V | Iout=60 mA | 0.1 | 0.12 |
| 2.0 < Vout ≤ 3.0 | Iout=80 mA | 0.12 | 0.14 |
| 3.0 < Vout ≤ 4.0 | Iout=100 mA | 0.16 | 0.18 |
| 4.0 < Vout ≤ 5.0 | | 0.17 | 0.18 |
| 3.0 < Vout ≤ 4.0 | Iout=200 mA | 0.21 | 0.24 |
| 4.0 < Vout ≤ 6.0 | | 0.20 | 0.22 |
| 3.0 < Vout ≤ 4.0 | Iout=500 mA | 0.8 | 0.85 |
| 4.0 < Vout ≤ 6.0 | | 0.75 | 0.80 |

Typical Performance Characteristics

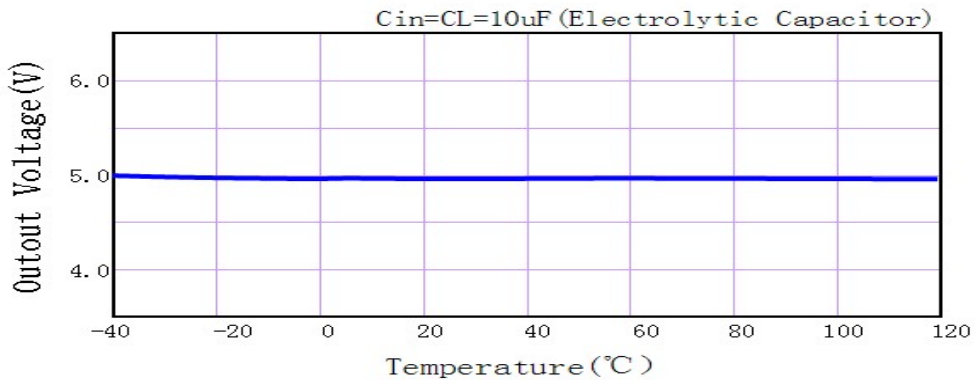
(1) Output Voltage vs Input voltage



(2) Output Voltage vs. Output Current

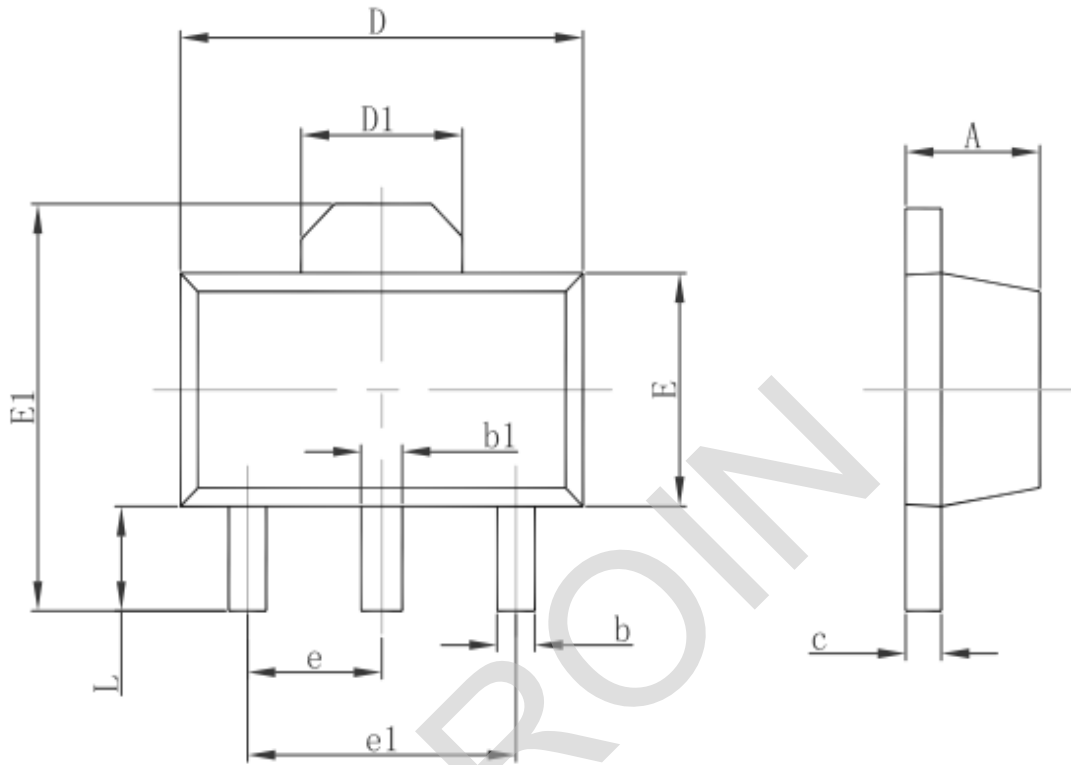


(3) Output Voltage vs. Ambient Temperature



Package Information

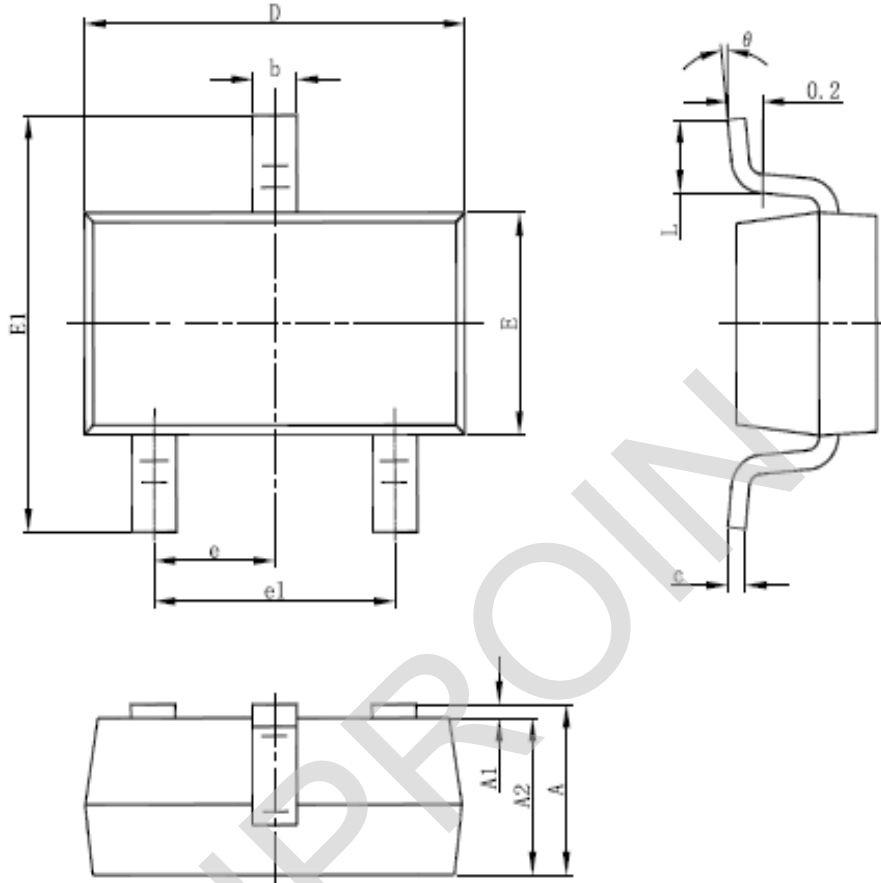
3-pin SOT89 Outline Dimensions



| Symbol | Dimensions In Millimeters | | Dimensions In Inches | |
|--------|---------------------------|-------|----------------------|-------|
| | Min. | Max. | Min. | Max. |
| A | 1.400 | 1.600 | 0.055 | 0.063 |
| b | 0.320 | 0.520 | 0.013 | 0.020 |
| b1 | 0.400 | 0.580 | 0.016 | 0.023 |
| c | 0.350 | 0.440 | 0.014 | 0.017 |
| D | 4.400 | 4.600 | 0.173 | 0.181 |
| D1 | 1.550 REF. | | 0.061 REF. | |
| E | 2.300 | 2.600 | 0.091 | 0.102 |
| E1 | 3.940 | 4.250 | 0.155 | 0.167 |
| e | 1.500 TYP. | | 0.060 TYP. | |
| e1 | 3.000 TYP. | | 0.118 TYP. | |
| L | 0.900 | 1.200 | 0.035 | 0.047 |

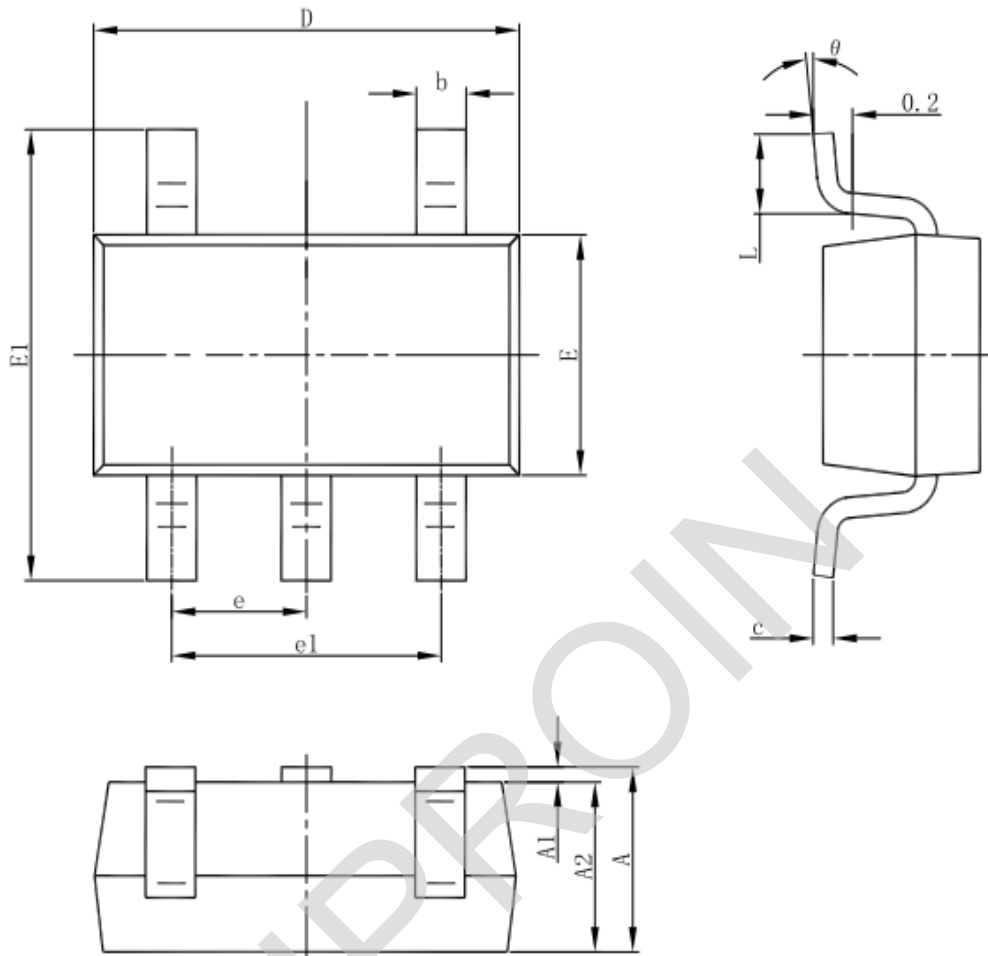
3-pin SOT23-3 Outline Dimensions

SOT-23-3L PACKAGE OUTLINE DIMENSIONS



| Symbol | Dimensions In Millimeters | | Dimensions In Inches | |
|--------|---------------------------|-------|----------------------|-------|
| | Min | Max | Min | Max |
| A | 1.050 | 1.250 | 0.041 | 0.049 |
| A1 | 0.000 | 0.100 | 0.000 | 0.004 |
| A2 | 1.050 | 1.150 | 0.041 | 0.045 |
| b | 0.300 | 0.500 | 0.012 | 0.020 |
| c | 0.100 | 0.200 | 0.004 | 0.008 |
| D | 2.820 | 3.020 | 0.111 | 0.119 |
| E | 1.500 | 1.700 | 0.059 | 0.067 |
| E1 | 2.650 | 2.950 | 0.104 | 0.116 |
| e | 0.950(BSC) | | 0.037(BSC) | |
| e1 | 1.800 | 2.000 | 0.071 | 0.079 |
| L | 0.300 | 0.600 | 0.012 | 0.024 |
| θ | 0° | 8° | 0° | 8° |

SOT23-5 Outline Dimensions



| Symbol | Dimensions In Millimeters | | Dimensions In Inches | |
|--------|---------------------------|-------|----------------------|-------|
| | Min | Max | Min | Max |
| A | 1.050 | 1.250 | 0.041 | 0.049 |
| A1 | 0.000 | 0.100 | 0.000 | 0.004 |
| A2 | 1.050 | 1.150 | 0.041 | 0.045 |
| b | 0.300 | 0.500 | 0.012 | 0.020 |
| c | 0.100 | 0.200 | 0.004 | 0.008 |
| D | 2.820 | 3.020 | 0.111 | 0.119 |
| E | 1.500 | 1.700 | 0.059 | 0.067 |
| E1 | 2.650 | 2.950 | 0.104 | 0.116 |
| e | 0.950(BSC) | | 0.037(BSC) | |
| e1 | 1.800 | 2.000 | 0.071 | 0.079 |
| L | 0.300 | 0.600 | 0.012 | 0.024 |
| θ | 0° | 8° | 0° | 8° |

X-ON Electronics

Largest Supplier of Electrical and Electronic Components

Click to view similar products for [LDO Voltage Regulators](#) category:

Click to view products by [Siproin](#) manufacturer:

Other Similar products are found below :

[M38D29FFHP#U1](#) [702103A](#) [717726C](#) [742457H](#) [MP20051DN-LF-Z](#) [R5F111PGGFB#30](#) [AP7363-SP-13](#) [NCP103AMX285TCG](#)
[NCV8664CST33T3G](#) [NCV8752AMX28TCG](#) [L9454](#) [AP7362-HA-7](#) [LX13043CLD](#) [TCR3DF185,LM\(CT](#) [TCR3DF24,LM\(CT](#)
[TCR3DF285,LM\(CT](#) [TCR3DF31,LM\(CT](#) [TCR3DF45,LM\(CT](#) [TLF4949EJ](#) [L9708](#) [L970813TR](#) [030014BB](#) [059985X](#) [EAN61387601](#)
[EAN61573601](#) [NCP121AMX173TCG](#) [NCP4687DH15T1G](#) [NCV8703MX30TCG](#) [701326R](#) [702087BB](#) [755078E](#) [TCR2EN28,LF\(S](#)
[LM1117DT-1.8/NO](#) [LT1086CM#TRPBF](#) [AZ1085S2-1.5TRE1](#) [MAX15101EWL+T](#) [NCV8170AXV250T2G](#) [SCD337BTG](#)
[TCR3DF27,LM\(CT](#) [TCR3DF19,LM\(CT](#) [TCR3DF125,LM\(CT](#) [TCR2EN18,LF\(S](#) [MAX15103EWL+T](#) [TS2937CZ-5.0 C0](#) [MAX8878EUK30-](#)
[T](#) [MAX663CPA](#) [NCV4269CPD50R2G](#) [NCV8716MT30TBG](#) [AZ1117IH-1.2TRG1](#) [MP2013GQ-P](#)