

Power Semiconductor Discretes and Power Modules

IGBTs

THYRISTORs

FREDs

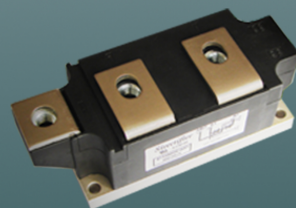
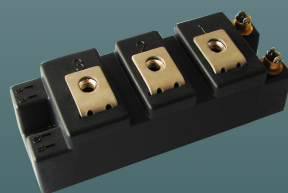
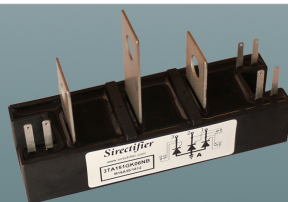
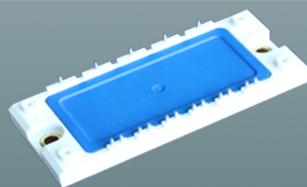
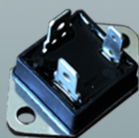
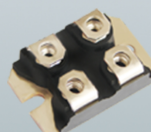
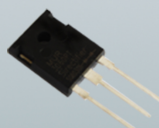
SCHOTTKY DIODEs

TRIACs

DIODEs

CATALOGUE

产品样本



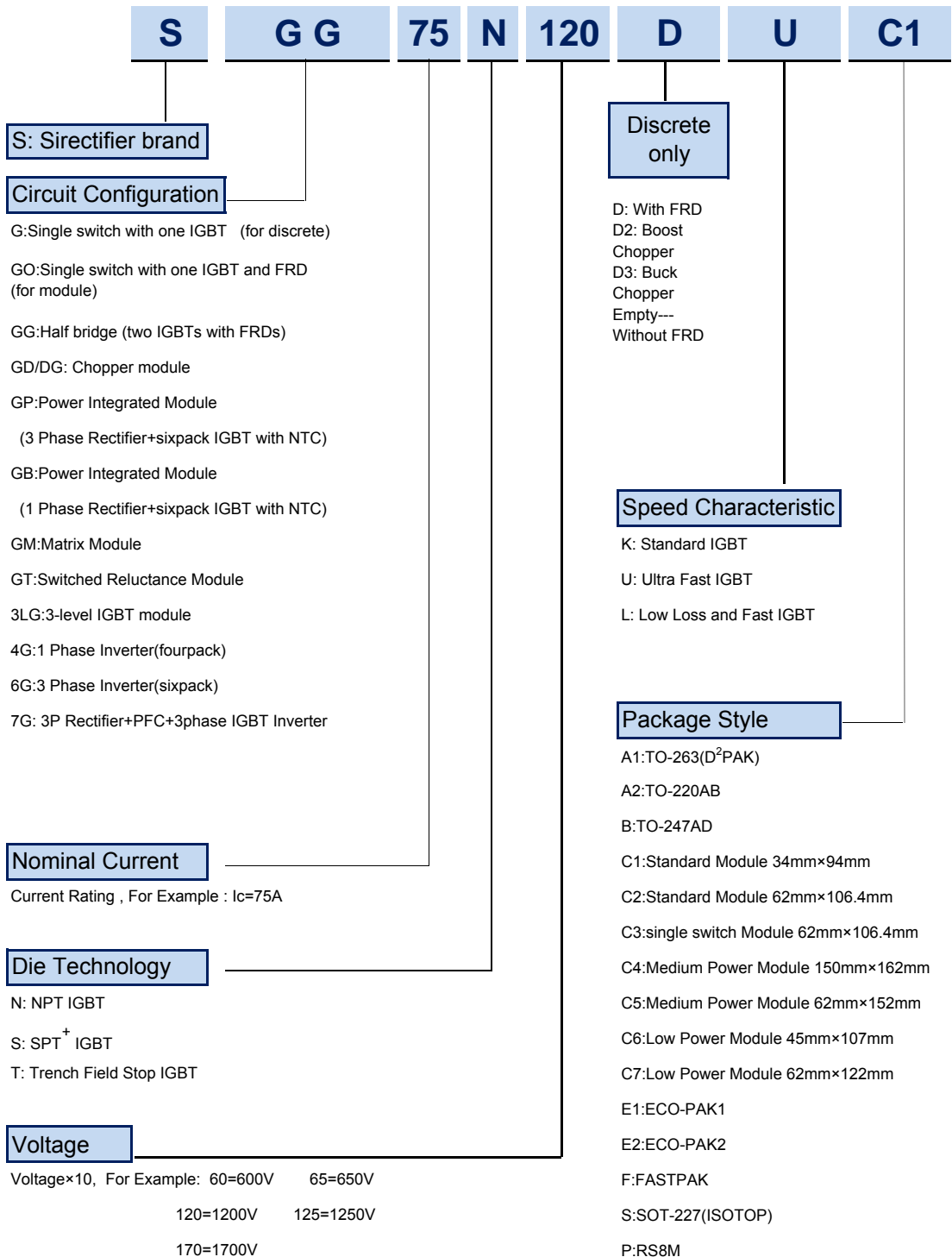
江苏矽莱克电子科技有限公司
Sirectifier Electronics Technology Corp.

目录 CONTENTS

● 矽莱克产品命名方法 Sirectifier Products Nomenclature	
◆ IGBT分立器件和功率模块命名方法 IGBT discrete and Power Module Nomenclature	01
◆ 晶闸管、整流管分立器件和功率模块命名方法 Thyristor / Diode discrete and Power Module Nomenclature	02
● IGBT绝缘栅双极型晶体管 (IGBTs)	
◆ IGBT分立器件 IGBT Discretes	03
◆ 600V IGBT模块 600V IGBT Modules	04
◆ 1200V IGBT模块 1200V IGBT Modules	06
◆ 1700V IGBT模块 1700V IGBT Modules	08
● 晶闸管(可控硅) Thyristors (SCRs)	
◆ 晶闸管(可控硅)分立器件 Thyristor Discretes (SCRs)	09
◆ 晶闸管-晶闸管模块 Thyristor-Thyristor Modules	11
◆ 晶闸管-二极管模块 Thyristor-Diode Modules	14
◆ 反并联晶闸管模块 (固态交流开关) Anti-Paralled Thyristor-Thyristor Modules (Solid State AC Switches)	17
◆ 单相桥式半控模块(带续流二极管) Single Phase Half Controlled Bridge Modules with Free Wheeling Diode	20
◆ 三相桥式半控模块(带续流二极管) Three Phase Half Controlled Bridge Modules with Free Wheeling Diode	20
◆ 三相桥式半控模块(不带续流二极管) Three Phase Half Controlled Bridge Modules without Free Wheeling Diode	21
◆ 三相桥式全控模块(不带续流二极管) Three Phase Full Controlled Bridge Modules without Free Wheeling Diode	21
◆ 三相半桥式晶闸管模块 (晶闸管电焊机专用) Three Phase Thyristor Half Bridge Modules (For Welding Machines)	22
● 肖特基势垒二极管 Schottky Barrier Diodes	
◆ 高结温低漏电流肖特基势垒二极管 High Tjm Low IRRM Schottky Barrier Diodes	23
◆ 高结温低漏电流肖特基势垒二极管模块 High Tjm Low IRRM Schottky Barrier Diode Modules	23
● 快恢复二极管 Fast Recovery Diodes	
◆ 超快恢复二极管 Ultra Fast Recovery Diodes	27
◆ 软恢复特性超快恢复外延二极管 Soft Recovery Behaviour Ultra Fast Recovery Epitaxial Diodes	28
◆ 软恢复特性高性能高结温超快恢复外延二极管 Soft Recovery Behaviour HiPer High Tjm Ultra Fast Recovery Epitaxial Diodes	29
◆ 软恢复特性超快恢复外延二极管模块 Soft Recovery Behaviour Ultra Fast Recovery Epitaxial Diode Modules	31
● 整流二极管 Diode Rectifiers	
◆ 整流二极管分立器件 Diode Discretes	34
◆ 单相整流桥 Single Phase Bridge Rectifiers	36
◆ 单相桥式整流模块 Single Phase Bridge Rectifier Modules	36
◆ 三相桥式整流模块 Three Phase Bridge Rectifier Modules	38
◆ 二极管/二极管整流模块 Diode/Diode Modules	41
● 双向可控硅 Triacs	
◆ 绝缘式双向可控硅 Isolated Triacs	43
◆ 非绝缘式双向可控硅 Non-Isolated Triacs	44
● 功率半导体产品外形结构图 Power Semiconductors Outline Drawings	45-48

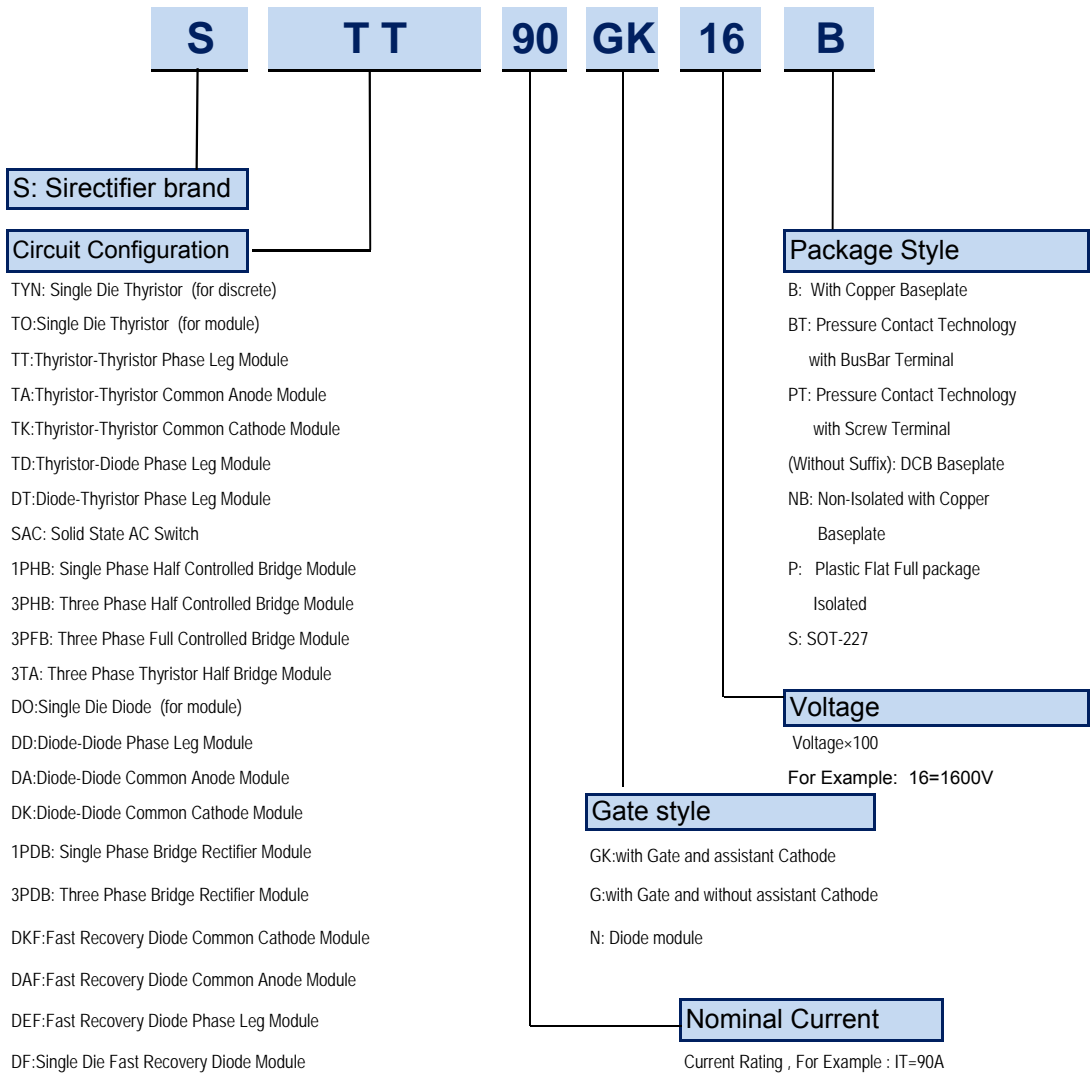
IGBT分立器件和功率模块命名方法

IGBT Discrete and Power Module Nomenclature



晶闸管、整流管分立器件和功率模块命名方法

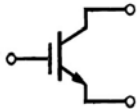
Thyristor / Diode discrete and Power Module Nomenclature



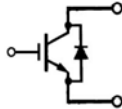
IGBT分立器件

IGBT Discretes

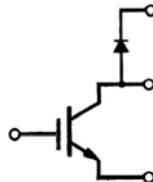
型号 TYPE	电气特性Electrical Characteristics						内部电路 Circuit	封装外形 Package Style
	V _{CES}	I _{C25}	I _{C90}	V _{CEsat}	E _{OFF}	R _{thJC}		
		@Tc=25°C	@Tc=90°C	@25°C typ.	@125°C typ.			
V	A	A	V	mJ	K/W			
600V NPT IGBT Standard Series								
SG12N60B	600	24	12	2.1	0.8	1.25	1	TO-247AD
SG12N60DB	600	24	12	2.1	0.8	1.25	2	TO-247AD
SG23N60B	600	48	24	2.1	0.6	0.83	1	TO-247AD
SG23N60DB	600	48	24	2.1	0.6	0.83	2	TO-247AD
SG50N60B	600	75	50	2.5	4.2	0.62	1	TO-247AD
SG50N60DB	600	75	50	2.5	4.2	0.62	2	TO-247AD
SG50N60S	600	75	50	2.5	4.2	0.34	1	SOT-227
SG50N60DS	600	75	50	2.5	4.2	0.34	2	SOT-227
SG50N60D2S	600	75	50	2.5	4.2	0.34	3	SOT-227
SG50N60D3S	600	75	50	2.5	4.2	0.34	4	SOT-227
SG200N60S	600	200	100	2.1	14.4	0.21	1	SOT-227
600V Trench Field Stop IGBT Ultra Fast Series								
SG37T60B	600	75	37	1.9	2.2	0.50	1	TO-247AD
SG37T60DB	600	75	37	1.9	2.2	0.50	2	TO-247AD
SG50T60B	600	90	50	1.9	3.5	0.45	1	TO-247AD
SG50T60DB	600	90	50	1.9	3.5	0.45	2	TO-247AD
SG50T60S	600	90	50	1.9	3.5	0.33	1	SOT-227
SG50T60DS	600	90	50	1.9	3.5	0.33	2	SOT-227
SG75T60S	600	150	75	1.9	4.6	0.30	1	SOT-227
SG75T60DS	600	150	75	1.9	4.6	0.30	2	SOT-227
SG100T60S	600	200	100	1.9	8.2	0.22	1	SOT-227
1200V NPT IGBT Standard Series								
SG20N120B	1200	40	20	2.0	9.5	0.83	1	TO-247AD
SG20N120DB	1200	40	20	2.0	9.5	0.83	2	TO-247AD
SG25S120B	1200	46	25	2.0	2.5	0.83	1	TO-247AD
SG25S120DB	1200	46	25	2.0	2.5	0.83	2	TO-247AD
SG35N120B	1200	70	35	2.0	8.0	0.42	1	TO-247AD
SG35N120DB	1200	70	35	2.0	8.0	0.42	2	TO-247AD
SG40T120DB	1200	75	40	2.0	2.5	0.42	2	TO-247AD
SG40N120DB	1200	75	40	2.0	2.5	0.42	2	TO-247AD
SG45N120B	1200	75	45	2.0	2.5	0.42	1	TO-247AD
SG50N120S	1200	85	50	2.0	5.0	0.50	1	SOT-227
SG50N120DS	1200	85	50	2.0	5.0	0.50	2	SOT-227
SG75N120S	1200	100	75	2.0	7.5	0.27	1	SOT-227
SG75N120DS	1200	100	75	2.0	7.5	0.27	2	SOT-227



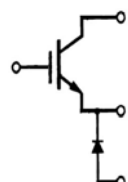
Circuit 1



Circuit 2



Circuit 3

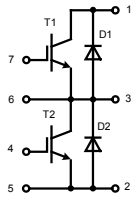


Circuit 4

600V IGBT模块 600V IGBT Modules

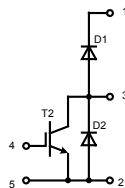
型号 TYPE	电气特性Electrical Characteristics					内部电路 Circuit	封装外形 Package Style	
	VCES	IC	VCEsat	EOFF				RthJC max
		@Tc =80°C	@25°C	@125°C				
			typ	typ				
V	A	V	mJ	K/W				
600V NPT IGBT Standard Series								
SGG50N60KC1	600	50	2.00	1.90	0.24	1	Fig.1	
SGG75N60KC1	600	75	1.90	2.30	0.22	1	Fig.1	
SGG100N60KC1	600	100	1.90	6.60	0.16	1	Fig.1	
SGG145N60KC1	600	145	1.90	8.80	0.13	1	Fig.1	
SGG150N60KC2	600	150	1.90	8.80	0.12	1	Fig. 26	
SGG200N60KC2	600	200	1.90	16.20	0.11	1	Fig. 26	
SGG300N60KC2	600	300	1.90	20.40	0.10	1	Fig. 26	
SGG400N60KC2	600	400	1.90	25.80	0.08	1	Fig. 26	
SGD/SDG50N60KC1	600	50	2.00	1.90	0.24	2/3	Fig.1	
SGD/SDG75N60KC1	600	75	1.90	2.30	0.22	2/3	Fig.1	
SGD/SDG100N60KC1	600	100	1.90	6.60	0.16	2/3	Fig.1	
SGD/SDG145N60KC1	600	145	1.90	8.80	0.13	2/3	Fig.1	
SGD/SDG150N60KC2	600	150	1.90	8.80	0.12	2/3	Fig. 26	
SGD/SDG200N60KC2	600	200	1.90	16.20	0.11	2/3	Fig. 26	
SGD/SDG300N60KC2	600	300	1.90	20.40	0.10	2/3	Fig. 26	
SGD/SDG400N60KC2	600	400	1.90	25.80	0.08	2/3	Fig. 26	
SGO300N60KC3	600	200	1.90	18.00	0.11	4	Fig.58	
SGO400N60KC3	600	400	1.90	20.30	0.09	4	Fig.58	
SGO600N60KC3	600	600	1.90	48.20	0.06	4	Fig.58	
600V NPT IGBT Ultra Fast Series								
SGG75N60UC1	600	75	2.70	3.10	0.20	1	Fig.1	
SGG100N60UC1	600	100	2.70	5.05	0.16	1	Fig.1	
SGG145N60UC1	600	145	2.70	7.36	0.13	1	Fig.1	
SGG150N60UC2	600	150	2.70	7.36	0.12	1	Fig. 26	
SGG200N60UC2	600	200	2.70	10.1	0.11	1	Fig. 26	
SGG300N60UC2	600	300	2.70	15.6	0.10	1	Fig. 26	
SGG400N60UC2	600	400	2.70	22.8	0.08	1	Fig. 26	
SGD/SDG75N60UC1	600	75	2.70	3.10	0.20	2/3	Fig.1	
SGD/SDG100N60UC1	600	100	2.70	5.05	0.16	2/3	Fig.1	
SGD/SDG145N60UC1	600	145	2.70	7.36	0.13	2/3	Fig.1	
SGD/SDG150N60UC2	600	150	2.70	7.36	0.12	2/3	Fig. 26	
SGD/SDG200N60UC2	600	200	2.70	10.1	0.11	2/3	Fig. 26	
SGD/SDG300N60UC2	600	300	2.70	15.6	0.10	2/3	Fig. 26	
SGD/SDG400N60UC2	600	400	2.70	22.8	0.08	2/3	Fig. 26	
SGO300N60UC3	600	300	2.70	15.50	0.11	4	Fig.58	
SGO400N60UC3	600	400	2.70	22.70	0.09	4	Fig.58	
SGO600N60UC3	600	600	2.70	32.80	0.06	4	Fig.58	

型号 TYPE	电气特性 Electrical Characteristics					内部电路 Circuit	封装外形 Package Style
	VCES	IC	VCEsat	EOFF	RthJC max		
		@Tc =80°C	@25°C	@125°C			
		typ	typ				
V	A	V	mJ	K/W			
600V Trench Field Stop IGBT Ultra Fast Series							
SGG75T60UC1	600	75	2.70	3.10	0.20	1	Fig.1
SGG100T60UC1	600	100	2.70	5.05	0.16	1	Fig.1
SGG145T60UC1	600	145	2.70	7.36	0.13	1	Fig.1
SGG150T60UC2	600	150	2.70	7.36	0.12	1	Fig. 26
SGG200T60UC2	600	200	2.70	10.1	0.11	1	Fig. 26
SGG300T60UC2	600	300	2.70	15.6	0.10	1	Fig. 26
SGG400T60UC2	600	400	2.70	22.8	0.08	1	Fig. 26
SGD/SDG75T60UC1	600	75	2.70	3.10	0.20	2/3	Fig.1
SGD/SDG100T60UC1	600	100	2.70	5.05	0.16	2/3	Fig.1
SGD/SDG145T60UC1	600	145	2.70	7.36	0.13	2/3	Fig.1
SGD/SDG150T60UC2	600	150	2.70	7.36	0.12	2/3	Fig. 26
SGD/SDG200T60UC2	600	200	2.70	10.1	0.11	2/3	Fig. 26
SGD/SDG300T60UC2	600	300	2.70	15.6	0.10	2/3	Fig. 26
SGD/SDG400T60UC2	600	400	2.70	22.8	0.08	2/3	Fig. 26



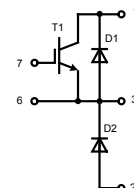
Circuit 1(Phase Leg)

SGG Series(for Fig.1 package)



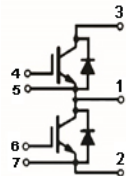
Circuit 2(Boost Chopper)

SGD Series(for Fig.1 package)



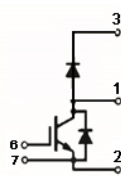
Circuit 3(Buck Chopper)

SDG Series(for Fig.1 package)



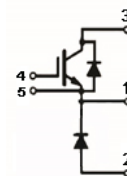
Circuit 1(Phase Leg)

SGG Series(for Fig.26 package)



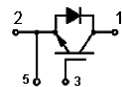
Circuit 2(Boost Chopper)

SGD Series(for Fig.26 package)



Circuit 3(Buck Chopper)

SDG Series (for Fig.26 package)



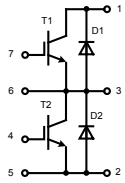
Circuit 4(Single Die)

SGO Series(for Fig.58 package)

1200V IGBT模块 1200V IGBT Modules

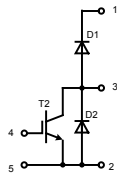
型号 TYPE	电气特性 Electrical Characteristics						封装外形 Package Style
	VCES	IC	VCEsat	E _{OFF}	R _{thJC} max	内部电路 Circuit	
		@T _c =80°C	@25°C	@125°C			
		A	V	mJ			
V	A	V	mJ	K/W			
1200V NPT IGBT Standard Series							
SGG50N120KC1	1200	50	2.20	6.00	0.26	1	Fig.1
SGG75N120KC1	1200	75	2.20	9.20	0.35	1	Fig.1
SGG100N120KC1	1200	100	2.20	16.60	0.24	1	Fig.1
SGG145N120KC1	1200	145	2.20	25.60	0.15	1	Fig.1
SGG150N120KC2	1200	150	2.20	25.60	0.12	1	Fig. 26
SGG200N120KC2	1200	200	2.20	49.50	0.11	1	Fig. 26
SGG300N120KC2	1200	300	2.20	63.00	0.09	1	Fig. 26
SGG400N120KC2	1200	400	2.20	85.00	0.07	1	Fig. 26
SGD/SDG50N120KC1	1200	50	2.20	6.00	0.26	2/3	Fig.1
SGD/SDG75N120KC1	1200	75	2.20	9.20	0.35	2/3	Fig.1
SGD/SDG100N120KC1	1200	100	2.20	16.60	0.24	2/3	Fig.1
SGD/SDG145N120KC1	1200	145	2.20	25.60	0.15	2/3	Fig.1
SGD/SDG150N120KC2	1200	150	2.20	25.60	0.12	2/3	Fig. 26
SGD/SDG200N120KC2	1200	200	2.20	49.50	0.11	2/3	Fig. 26
SGD/SDG300N120KC2	1200	300	2.20	63.00	0.09	2/3	Fig. 26
SGD/SDG400N120KC2	1200	400	2.20	85.00	0.07	2/3	Fig. 26
1200V NPT IGBT Ultra Fast Series							
SGG50N120UC1	1200	50	3.20	5.90	0.33	1	Fig.1
SGG75N120UC1	1200	75	3.20	9.50	0.22	1	Fig.1
SGG100N120UC1	1200	100	3.20	12.90	0.19	1	Fig.1
SGG145N120U1	1200	145	3.20	18.80	0.13	1	Fig.1
SGG150N120UC2	1200	150	3.20	18.80	0.12	1	Fig. 26
SGG200N120UC2	1200	200	3.20	29.00	0.11	1	Fig. 26
SGG300N120UC2	1200	300	3.20	35.60	0.08	1	Fig. 26
SGG400N120UC2	1200	400	3.20	56.10	0.05	1	Fig. 26
SGD/SDG50N120UC1	1200	50	3.20	5.90	0.33	2/3	Fig.1
SGD/SDG75N120UC1	1200	75	3.20	9.50	0.22	2/3	Fig.1
SGD/SDG100N120UC1	1200	100	3.20	12.90	0.19	2/3	Fig.1
SGD/SDG145N120UC1	1200	145	3.20	18.80	0.13	2/3	Fig.1
SGD/SDG150N120UC2	1200	150	3.20	18.80	0.12	2/3	Fig. 26
SGD/SDG200N120UC2	1200	200	3.20	29.00	0.11	2/3	Fig. 26
SGD/SDG300N120UC2	1200	300	3.20	35.60	0.08	2/3	Fig. 26
SGD/SDG400N120UC2	1200	400	3.20	56.10	0.05	2/3	Fig. 26
SGO200N120UC3	1200	200	1.9	39	0.08	4	Fig.58
SGO300N120UC3	1200	300	1.9	64.8	0.06	4	Fig.58
SGO400N120UC3	1200	400	1.9	85	0.05	4	Fig.58
SGO600N120UC3	1200	600	1.9	163	0.04	4	Fig.58
1200V SPT⁺ IGBT Standard Series							
SGG50S120KC1	1200	50	1.80	4.3	0.36	1	Fig.1
SGG75S120KC1	1200	75	1.80	4.7	0.30	1	Fig.1
SGG100S120KC1	1200	100	1.80	7.5	0.21	1	Fig.1
SGG145S120KC1	1200	145	1.80	9.5	0.165	1	Fig.1
SGG150S120KC2	1200	150	1.80	9	0.15	1	Fig. 26
SGG200S120KC2	1200	200	1.80	15	0.095	1	Fig. 26
SGG300S120KC2	1200	300	1.80	22	0.085	1	Fig. 26
SGG400S120KC2	1200	400	1.80	31	0.055	1	Fig. 26

型号 TYPE	电气特性 Electrical Characteristics						封装外形 Package Style
	VCES	IC	VCEsat	E _{OFF}	R _{thJC} max	内部电路 Circuit	
		@T _c =80℃	@25℃	@125℃			
		V	A	V			
SGD/SDG50S120KC1	1200	50	1.80	4.3	0.36	1	Fig.1
SGD/SDG75S120KC1	1200	75	1.80	4.7	0.30	2	Fig.1
SGD/SDG100S120KC1	1200	100	1.80	7.5	0.21	2	Fig.1
SGD/SDG145S120KC1	1200	145	1.80	9.5	0.165	2	Fig.1
SGD/SDG150S120KC2	1200	150	1.80	9	0.15	2	Fig. 26
SGD/SDG200S120KC2	1200	200	1.80	15	0.095	2	Fig. 26
SGD/SDG300S120KC2	1200	300	1.80	22	0.085	2	Fig. 26
SGD/SDG400S120KC2	1200	400	1.80	31	0.055	2	Fig. 26
1200V Trench Field Stop IGBT Ultra Fast Series							
SGG50T120UC1	1200	50	1.90	7.50	0.43	1	Fig.1
SGG75T120UC1	1200	75	1.90	12.30	0.32	1	Fig.1
SGG100T120UC1	1200	100	1.90	19.50	0.25	1	Fig.1
SGG145T120U1	1200	145	1.90	23.60	0.16	1	Fig.1
SGG150T120UC2	1200	150	1.90	23.60	0.13	1	Fig. 26
SGG200T120UC2	1200	200	1.90	50.10	0.12	1	Fig. 26
SGG300T120UC2	1200	300	1.90	61.00	0.08	1	Fig. 26
SGG400T120UC2	1200	400	1.90	75.60	0.06	1	Fig. 26
SGD/SDG50T120UC1	1200	50	1.90	5.90	0.33	2/3	Fig.1
SGD/SDG75T120UC1	1200	75	1.90	9.50	0.22	2/3	Fig.1
SGD/SDG100T120UC1	1200	100	1.90	12.90	0.19	2/3	Fig.1
SGD/SDG145T120UC1	1200	145	1.90	18.80	0.13	2/3	Fig.1
SGD/SDG150T120UC2	1200	150	1.90	18.80	0.12	2/3	Fig. 26
SGD/SDG200T120UC2	1200	200	1.90	29.00	0.11	2/3	Fig. 26
SGD/SDG300T120UC2	1200	300	1.90	35.60	0.08	2/3	Fig. 26
SGD/SDG400T120UC2	1200	400	1.90	56.10	0.05	2/3	Fig. 26



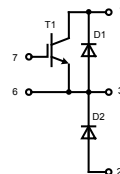
Circuit 1(Phase Leg)

SGG Series(for Fig.1 package)



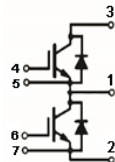
Circuit 2(Boost Chopper)

SGD Series(for Fig.1 package)



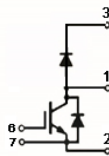
Circuit 3(Buck Chopper)

SDG Series(for Fig.1 package)



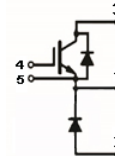
Circuit 1(Phase Leg)

SGG Series(for Fig.26 package)



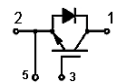
Circuit 2(Boost Chopper)

SGD Series(for Fig.26 package)



Circuit 3(Buck Chopper)

SDG Series (for Fig.26 package)



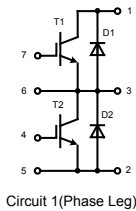
Circuit 4(Single Die)

SGO Series(for Fig.58 package)

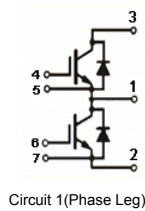
1700V IGBT 模块

1700V IGBT Modules

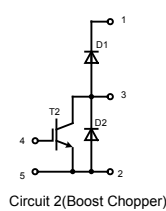
型号 TYPE	电气特性 Electrical Characteristics					内部电路 Circuit	封装外形 Package Style
	VCES	IC	VCEsat	EOFF	RthJC max		
		@Tc =80°C	@25°C	@125°C			
		A	typ	typ			
V	A	V	mJ	K/W			
1700V SPT⁺ IGBT Standard Series							
SGG50S170KC1	1700	50	2.30	4.2	0.38	1	Fig.1
SGG75S170KC1	1700	75	2.30	4.7	0.30	1	Fig.1
SGG100S170KC1	1700	100	2.30	7.5	0.21	1	Fig.1
SGG145S170KC1	1700	145	2.30	9.5	0.165	1	Fig.1
SGG150S170KC2	1700	150	2.30	9	0.15	1	Fig. 26
SGG200S170KC2	1700	200	2.30	15	0.095	1	Fig. 26
SGG300S170KC2	1700	300	2.30	22	0.085	1	Fig. 26
SGD50S170KC1	1700	50	2.30	4.2	0.38	1	Fig.1
SGD75S170KC1	1700	75	2.30	4.7	0.30	2	Fig.1
SGD100S170KC1	1700	100	2.30	7.5	0.21	2	Fig.1
SGD145S170KC1	1700	145	2.30	9.5	0.165	2	Fig.1
SGD150S170KC2	1700	150	2.30	9	0.15	2	Fig. 26
SGD200S170KC2	1700	200	2.30	15	0.095	2	Fig. 26
SGD300S170KC2	1700	300	2.30	22	0.085	2	Fig. 26
SDG50S170KC1	1700	50	2.30	4.2	0.38	1	Fig.1
SDG75S170KC1	1700	75	2.30	4.7	0.30	2	Fig.1
SDG100S170KC1	1700	100	2.30	7.5	0.21	2	Fig.1
SDG145S170KC1	1700	145	2.30	9.5	0.165	2	Fig.1
SDG150S170KC2	1700	150	2.30	9	0.15	2	Fig. 26
SDG200S170KC2	1700	200	2.30	15	0.095	2	Fig. 26
SDG300S170KC2	1700	300	2.30	22	0.085	2	Fig. 26
1700V NPT IGBT Standard Series							
SGO200N170KC3	1700	200	2.30	155	0.08	4	Fig.58
SGO300N170KC3	1700	300	2.30	225	0.06	4	Fig.58
SGO400N170KC3	1700	400	2.30	205	0.05	4	Fig.58
SGO600N170KC3	1700	600	2.30	245	0.036	4	Fig.58
1700V SPT⁺ IGBT Standard Series							
SGO200T170KC3	1700	200	2.00	142	0.06	4	Fig.58
SGO300T170KC3	1700	300	2.00	199	0.05	4	Fig.58
SGO400T170KC3	1700	400	2.00	260	0.055	4	Fig.58
SGO600T170KC3	1700	600	2.00	390	0.04	4	Fig.58



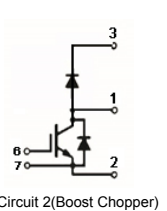
SGG Series(for Fig.1 package)



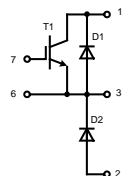
SGG Series(for Fig.26 package)



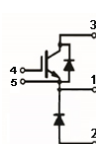
SGD Series(for Fig.1 package)



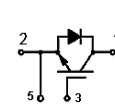
SGD Series(for Fig.26 package)



SDG Series(for Fig.1 package)



SDG Series(for Fig.26 package)



SGO Series(for Fig.58 package)

晶闸管(可控硅)分立器件


Thyristor Discretes (SCRs, Non-Isolated)



型号 TYPE	电气特性 Electrical Characteristics												封装外形 Package Style
	I_T		V_{DRM}	I_{GT}	V_{GT}	I_{DRM}	V_{TM}	I_H	I^2T	I_{TSM}	dv/dt	$R_{\theta JC}$	
	I_{TRMS}	I_{TVM}	V_{RRM}			I_{RRM}							
A	A	V	mA	V	mA	V	mA	A ² S	A	V/ μ s	$^{\circ}$ C/W		
STYN208 ~ STYN1208	8	5.0	200 ~ 1200	2~15	1.3	0.01	1.60	30	45	95	150	2.00	TO -220AB
STYN208S ~ STYN1208S	8	5.0	200 ~ 1200	2~15	1.3	0.01	1.60	30	45	95	150	2.00	TO -263 (D ² PAK)
STYN210 ~ STYN1210	10	6.4	200 ~ 1200	1~15	1.5	0.01	1.60	30	50	100	200	2.50	TO -220AB
STYN210S ~ STYN1210S	10	6.4	200 ~ 1200	1~15	1.5	0.01	1.60	30	50	100	200	2.50	TO -263 (D ² PAK)
STYN212 ~ STYN1212	12	8.0	200 ~ 1200	2~15	1.3	0.01	1.60	30	98	140	200	1.30	TO -220AB
STYN212S ~ STYN1212S	12	8.0	200 ~ 1200	2~15	1.3	0.01	1.60	30	98	140	200	1.30	TO -263 (D ² PAK)
STYN216 ~ STYN1216	16	10.0	200 ~ 1200	2~25	1.3	0.01	1.60	40	180	190	500	1.10	TO -220AB
STYN216S ~ STYN1216S	16	10.0	200 ~ 1200	2~25	1.3	0.01	1.60	40	180	190	500	1.10	TO -263 (D ² PAK)
STYN225 ~ STYN1225	25	16.0	200 ~ 1200	4~40	1.3	0.01	1.60	50	450	300	1000	1.00	TO -220AB
STYN225S ~ STYN1225S	25	16.0	200 ~ 1200	4~40	1.3	0.01	1.60	50	450	300	1000	1.00	TO -263 (D ² PAK)
STYN230 ~ STYN1830	30	19.0	200 ~ 1800	25~50	1.5	0.02	1.50	50	500	250	500	1.00	TO -247AD
STYN255 ~ STYN1855	55	32.0	200 ~ 1800	8~80	1.3	0.10	1.50	100	750	350	1000	0.90	TO -247AD
STYN865 ~ STYN1865	65	41.0	800 ~ 1800	50~100	1.5	0.50	1.64	100	1060	450	1000	0.75	TO-247AD
STYN875 ~ STYN1875	75	48.0	800 ~ 1800	50~100	1.5	0.50	1.64	100	2500	550	1000	0.70	TO-247AD

型号 TYPE	电气特性Electrical Characteristics												封装外形 Package Style
	I _T		V _{DRM}	I _{GT}	V _{GT}	I _{DRM}	V _{TM}	I _H	I ² T	I _{TSM}	dv/dt	R _{thJC}	
	I _{TRMS}	I _{TVM}	V _{RRM}			I _{RRM}							
A	A	V	mA	V	mA	V	mA	A ² S	A	V/μs	°C/W		
STYN8110 ~ STYN22110	110	70	800 ~ 2200	50~100	1.0	0.50	1.50	60	5400	800	1000	0.50	Fig.54
STYN8140 ~ STYN22140	140	90	800 ~ 2200	50~100	1.0	0.50	1.50	100	7500	1000	1000	0.40	Fig.54
STO30GK08S ~ STO30GK18S	47	30	800 ~ 1800	50~80	1.2	0.20	1.60	100	680	370	1000	1.00	SOT-227
STO50GK08S ~ STO50GK18S	79	50	800 ~ 1800	50~100	1.5	0.50	1.64	100	2740	750	1000	0.72	SOT-227
STO75GK08S ~ STO75GK18S	118	75	800 ~ 1800	50~100	1.5	0.50	1.64	100	5700	1100	1000	0.45	SOT-227
STO100GK08S ~ STO100GK18S	157	100	800 ~ 1800	50~100	1.5	0.50	1.64	100	9800	1400	1000	0.35	SOT-227
STO150GK08S ~ STO150GK18S	236	150	800 ~ 1800	50~100	1.5	0.50	1.64	100	2000	2000	1000	0.20	SOT-227

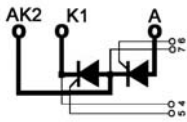
晶闸管-晶闸管模块
Thyristor-Thyristor Modules

 E310749

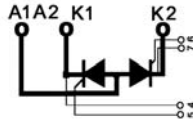
型号 TYPE	电气特性Electrical Characteristics										封装外形 Package Style
	IT			V _{DRM}	I _{TSM}	V _{TO}	r _T	dv/dt	T _{VJM}	R _{thJC}	
	I _{TRMS}	I _{TVM}	@TC	V _{RRM}	45°C/10ms						
	A	A	°C	V	A	V	mΩ	V/μs	°C	K/W	
STT27GK08 ~ STT27GK18	42	27	85	800 ~ 1800	520	0.85	11.0	1000	125	0.440	Fig.31
STT27GK08B ~ STT27GK18B	42	27	85	800 ~ 1800	520	0.85	11.0	1000	125	0.540	Fig.12
STT49GK08 ~ STT49GK18	76	49	85	800 ~ 1800	1150	0.85	5.3	1000	125	0.265	Fig.31
STT49GK08B ~ STT49GK18B	76	49	85	800 ~ 1800	1150	0.85	5.3	1000	125	0.365	Fig.12
STT60GK08 ~ STT60GK18	94	60	85	800 ~ 1800	1500	0.85	3.7	1000	125	0.225	Fig.31
STT60GK08B ~ STT60GK18B	94	60	85	800 ~ 1800	1500	0.85	3.7	1000	125	0.325	Fig.12
STT70GK08 ~ STT70GK24	110	70	85	800 ~ 2400	1600	0.85	3.2	1000	125	0.200	Fig.31
STT70GK08B ~ STT70GK24B	110	70	85	800 ~ 2400	1600	0.85	3.2	1000	125	0.300	Fig.12
STT90GK08 ~ STT90GK20	140	90	85	800 ~ 2000	1700	0.85	3.2	1000	125	0.180	Fig.31
STT90GK08B ~ STT90GK20B	140	90	85	800 ~ 2000	1700	0.85	3.2	1000	125	0.280	Fig.12
STT100GK08 ~ STT100GK22	157	100	85	800 ~ 2200	1700	0.85	3.2	1000	125	0.170	Fig.31
STT100GK08B ~ STT100GK22B	157	100	85	800 ~ 2200	1700	0.85	3.2	1000	125	0.270	Fig.12
STT116GK08 ~ STT116GK18	180	116	85	800 ~ 1800	2250	0.80	2.4	1000	125	0.150	Fig.31
STT116GK08B ~ STT116GK18B	180	116	85	800 ~ 1800	2250	0.80	2.4	1000	125	0.250	Fig.12

STT130GK08 ~ STT130GK18	204	130	85	800 ~ 1800	5500	0.80	1.5	1000	125	0.115	Fig.32
STT130GK08B ~ STT130GK18B	204	130	85	800 ~ 1800	5500	0.80	1.5	1000	125	0.230	Fig.14
STT140GK08 ~ STT140GK18	220	140	85	800 ~ 1800	2400	0.80	1.5	1000	140	0.100	Fig.31
STT165GK08 ~ STT165GK22	259	165	85	800 ~ 2200	6000	0.80	1.6	1000	125	0.078	Fig.32
STT165GK08B ~ STT165GK22B	259	165	85	800 ~ 2200	6000	0.80	1.6	1000	125	0.195	Fig.14
STT181GK08 ~ STT181GK18	284	181	85	800 ~ 1800	6000	0.88	1.15	1000	125	0.070	Fig.32
STT181GK08B ~ STT181GK18B	284	181	85	800 ~ 1800	6000	0.88	1.15	1000	125	0.185	Fig.14
STTF180GK08BT ~ STTF180GK18BT	350	180	85	800 ~ 1800	6700	1.3	0.9	1000	125	0.065	Fig.35
STT200GK08B ~ STT200GK18B	314	200	85	800 ~ 1800	7900	0.95	1.1	1000	125	0.152	Fig.14
STT201GK08 ~ STT201GK18	314	200	85	800 ~ 1800	8000	0.95	1.0	1000	125	0.040	Fig.15
STT240GK30BT ~ STT240GK42BT	377	240	85	3000 ~ 4200	9000	1.56	2.1	1000	140	0.032	Fig.17
STT250GK08 ~ STT250GK18	400	250	85	800 ~ 1800	8000	0.85	1.0	1000	140	0.035	Fig.15
STT253GK08BT ~ STT253GK18BT	400	253	85	800 ~ 1800	8500	0.85	1.0	1000	140	0.239	Fig.35
STT320GK08 ~ STT320GK18	500	320	85	800 ~ 1800	9000	0.80	0.82	1000	140	0.033	Fig.15
STT320GK08BT ~ STT320GK18BT	500	320	85	800 ~ 1800	9200	0.80	0.82	1000	140	0.190	Fig.35
STT500GK08BT ~ STT500GK18BT	785	500	85	800 ~ 1800	15000	0.80	0.38	1000	140	0.072	Fig.17

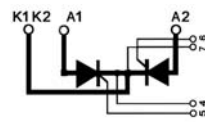
STT570GK08BT ~ STT570GK18BT	895	570	85	800 ~ 1800	17000	0.80	0.37	1000	140	0.070	Fig.17
STT800GK08PT ~ STT800GK18PT	1256	800	85	800 ~ 1800	30000	0.90	0.21	1000	140	0.041	Fig.29
STT800GK08PTWC ~ STT800GK18PTWC	1256	800	85	800 ~ 1800	30000	0.90	0.21	1000	140	0.050	Fig.66
STT1000GK08PT ~ STT1000GK24PT	1570	1000	85	800 ~ 2400	37000	0.95	0.3	1000	140	0.035	Fig.29
STT1000GK08PTWC ~ STT1000GK24PTWC	1570	1000	85	800 ~ 2400	37000	0.95	0.3	1000	140	0.038	Fig.66



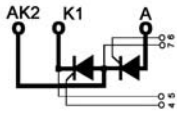
STT**



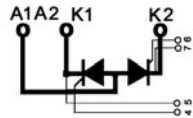
STA**



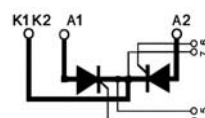
STK**



STT**B (or STTF**)



STA**B



STK**B

Without Suffix means with DCB Baseplate

Suffix " B " means with Copper Baseplate

Suffix " BT " means Pressure Contact Technology with BusBar Terminal


Suffix " PT " means Pressure Contact Technology with Screw Terminal

Suffix " P " means Plastic Flat Full package

Suffix " PTWC " means Pressure Contact Technology with Screw Terminal and Water Cooling construction

"STTF" Means Fast Thyristor-Thyristor Modules

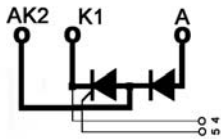
晶闸管-二极管模块
Thyristor-Diode Modules

 E310749

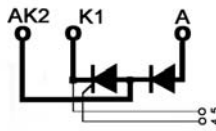
型号 TYPE	电气特性Electrical Characteristics										封装外形 Package Style
	IT			V_{DRM} V_{RRM}	I_{TSM} 45°C/10ms	V_{TO}	r_T	dv/dt	T_{VJM}	R_{thJC}	
	I_{TRMS}	I_{TVM}	@TC								
	A	A	°C	V	A	V	mΩ	V/μs	°C	K/W	
STD27GK08 ~ STD27GK18	42	27	85	800 ~ 1800	520	0.85	11.0	1000	125	0.440	Fig.36
STD27GK08B ~ STD27GK18B	42	27	85	800 ~ 1800	520	0.85	11.0	1000	125	0.540	Fig.18
STD49GK08 ~ STD49GK18	76	49	85	800 ~ 1800	1150	0.85	5.3	1000	125	0.265	Fig.36
STD49GK08B ~ STD49GK18B	76	49	85	800 ~ 1800	1150	0.85	5.3	1000	125	0.365	Fig.18
STD60GK08 ~ STD60GK18	94	60	85	800 ~ 1800	1500	0.85	3.7	1000	125	0.225	Fig.36
STD60GK08B ~ STD60GK18B	94	60	85	800 ~ 1800	1500	0.85	3.7	1000	125	0.325	Fig.18
STD70GK08 ~ STD70GK24	110	70	85	800 ~ 2400	1600	0.85	3.2	1000	125	0.200	Fig.36
STD70GK08B ~ STD70GK24B	110	70	85	800 ~ 2400	1600	0.85	3.2	1000	125	0.300	Fig.18
STD90GK08 ~ STD90GK20	140	90	85	800 ~ 2000	1700	0.85	3.2	1000	125	0.180	Fig.36
STD90GK08B ~ STD90GK20B	140	90	85	800 ~ 2000	1700	0.85	3.2	1000	125	0.280	Fig.18
STD100GK08 ~ STD100GK22	157	100	85	800 ~ 2200	1700	0.85	3.2	1000	125	0.170	Fig.36
STD100GK08B ~ STD100GK22B	157	100	85	800 ~ 2200	1700	0.85	3.2	1000	125	0.270	Fig.18
STD116GK08 ~ STD116GK18	180	116	85	800 ~ 1800	2250	0.80	2.4	1000	125	0.150	Fig.36
STD116GK08B ~ STD116GK18B	180	116	85	800 ~ 1800	2250	0.80	2.4	1000	125	0.250	Fig.18

STD130GK08 ~ STD130GK18	204	130	85	800 ~ 1800	5500	0.80	1.5	1000	125	0.115	Fig.37
STD130GK08B ~ STD130GK18B	204	130	85	800 ~ 1800	5500	0.80	1.5	1000	125	0.230	Fig.20
STD140GK08 ~ STD140GK18	220	140	85	800 ~ 1800	2400	0.80	1.5	1000	140	0.100	Fig.36
STD165GK08 ~ STD165GK22	259	165	85	800 ~ 2200	6000	0.80	1.6	1000	125	0.078	Fig.37
STD165GK08B ~ STD165GK22B	259	165	85	800 ~ 2200	6000	0.80	1.6	1000	125	0.195	Fig.20
STD181GK08 ~ STD181GK18	284	181	85	800 ~ 1800	6000	0.88	1.15	1000	125	0.070	Fig.37
STD181GK08B ~ STD181GK18B	284	181	85	800 ~ 1800	6000	0.88	1.15	1000	125	0.185	Fig.20
STD200GK08B ~ STD200GK18B	314	200	85	800 ~ 1800	7900	0.95	1.1	1000	125	0.152	Fig.20
STD201GK08 ~ STD201GK18	314	200	85	800 ~ 1800	8000	0.95	1.0	1000	125	0.040	Fig.21
STD240GK30BT ~ STD240GK42BT	377	240	85	3000 ~ 4200	9000	1.56	2.1	1000	140	0.032	Fig.17
STD250GK08 ~ STD250GK18	400	250	85	800 ~ 1800	8000	0.85	1.0	1000	140	0.035	Fig.21
STD253GK08BT ~ STD253GK18BT	400	253	85	800 ~ 1800	8500	0.85	1.0	1000	140	0.239	Fig.56
STD320GK08 ~ STD320GK18	500	320	85	800 ~ 1800	9000	0.80	0.82	1000	140	0.033	Fig.21
STD320GK08BT ~ STD320GK18BT	500	320	85	800 ~ 1800	9200	0.80	0.82	1000	140	0.190	Fig.56
STD500GK08BT ~ STD500GK18BT	785	500	85	800 ~ 1800	15000	0.80	0.38	1000	140	0.072	Fig.17
STD570GK08BT ~ STD570GK18BT	895	570	85	800 ~ 1800	17000	0.80	0.37	1000	140	0.070	Fig.17

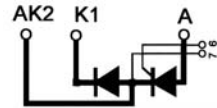
STD800GK08PT ~ STD800GK18PT	1256	800	85	800 ~ 1800	30000	0.90	0.21	1000	140	0.041	Fig.29
STD800GK08PTWC ~ STD800GK18PTWC	1256	800	85	800 ~ 1800	30000	0.90	0.21	1000	140	0.050	Fig.66
STD1000GK08PT ~ STD1000GK24PT	1570	1000	85	800 ~ 2400	37000	0.95	0.3	1000	140	0.035	Fig.29
STD1000GK08PTWC ~ STD1000GK24PTWC	1570	1000	85	800 ~ 2400	37000	0.95	0.3	1000	140	0.038	Fig.66



STD**



STD**B



SDT** / SDT**B

Without Suffix means with DCB Baseplate

Suffix " B " means with Copper Baseplate

Suffix " BT " means Pressure Contact Technology with BusBar Terminal


Suffix " PT " means Pressure Contact Technology with Screw Terminal

Suffix " P " means Plastic Flat Full package

Suffix " PTWC " means Pressure Contact Technology with Screw Terminal and Water Cooling construction

反并联晶闸管模块（固态交流开关）

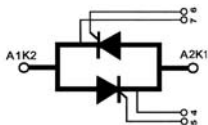
Anti-Paralled Thyristor-Thyristor Modules (Solid State AC Switches)

 E310749

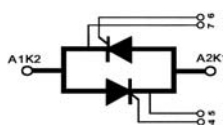
型号 TYPE	电气特性 Electrical Characteristics										封装外形 Package Style
	IT			V _{DRM} /V _{RRM}	I _{TSM} 45°C/10ms	V _{TO}	r _T	dv/dt	T _{VJM}	R _{thJC}	
	I _{TRMS}	I _{TVM}	@TC								
	A	A	°C	V	A	V	mΩ	V/μs	°C	K/W	
SSAC27GK08 ~ SSAC27GK18	42	27	85	800 ~ 1800	520	0.85	11	1000	125	0.440	Fig.38
SSAC27GK08B ~ SSAC27GK18B	42	27	85	800 ~ 1800	520	0.85	11	1000	125	0.540	Fig.23
SSAC49GK08 ~ SSAC49GK18	76	49	85	800 ~ 1800	1150	0.85	5.3	1000	125	0.265	Fig.38
SSAC49GK08B ~ SSAC49GK18B	76	49	85	800 ~ 1800	1150	0.85	5.3	1000	125	0.365	Fig.23
SSAC60GK08 ~ SSAC60GK18	94	60	85	800 ~ 1800	1500	0.85	3.7	1000	125	0.225	Fig.38
SSAC60GK08B ~ SSAC60GK18B	94	60	85	800 ~ 1800	1500	0.85	3.7	1000	125	0.325	Fig.23
SSAC62GK08S ~ SSAC62GK18S	62	25	85	800 ~ 1800	400	0.85	5.5	1000	125	0.455	SOT-227
SSAC70GK08 ~ SSAC70GK24	110	70	85	800 ~ 2400	1600	0.85	3.2	1000	125	0.200	Fig.38
SSAC70GK08B ~ SSAC70GK24B	110	70	85	800 ~ 2400	1600	0.85	3.2	1000	125	0.300	Fig.23
SSAC74GK08S ~ SSAC74GK18S	74	34	85	800 ~ 1800	600	0.85	3.5	1000	125	0.355	SOT-227
SSAC90GK08 ~ SSAC90GK20	140	90	85	800 ~ 2000	1700	0.85	3.2	1000	125	0.180	Fig.38
SSAC90GK08B ~ SSAC90GK20B	140	90	85	800 ~ 2000	1700	0.85	3.2	1000	125	0.280	Fig.23
SSAC90GK08S ~ SSAC90GK18S	90	41	85	800 ~ 1800	1700	0.85	3.2	1000	125	0.300	SOT-227
SSAC100GK08 ~ SSAC100GK22	157	100	85	800 ~ 2200	1700	0.85	3.2	1000	125	0.170	Fig.38

SSAC100GK08B ~ SSAC100GK22B	157	100	85	800 ~ 2200	1700	0.85	3.2	1000	125	0.270	Fig.23
SSAC116GK08 ~ SSAC116GK18	180	116	85	800 ~ 1800	2250	0.80	2.4	1000	125	0.150	Fig.38
SSAC116GK08B ~ SSAC116GK18B	180	116	85	800 ~ 1800	2250	0.80	2.4	1000	125	0.250	Fig.23
SSAC130GK08 ~ SSAC130GK18	204	130	85	800 ~ 1800	5500	0.80	1.5	1000	125	0.115	Fig.39
SSAC130GK08B ~ SSAC130GK18B	204	130	85	800 ~ 1800	5500	0.80	1.5	1000	125	0.230	Fig.4
SSAC140GK08 ~ SSAC140GK18	220	140	85	800 ~ 1800	2400	0.80	1.5	1000	140	0.100	Fig.38
SSAC165GK08 ~ SSAC165GK22	259	165	85	800 ~ 2200	6000	0.80	1.6	1000	125	0.078	Fig.39
SSAC165GK08B ~ SSAC165GK22B	259	165	85	800 ~ 2200	6000	0.80	1.6	1000	125	0.195	Fig.4
SSAC181GK08 ~ SSAC181GK18	284	181	85	800 ~ 1800	6000	0.88	1.15	1000	125	0.070	Fig.39
SSAC181GK08B ~ SSAC181GK18B	284	181	85	800 ~ 1800	6000	0.88	1.15	1000	125	0.185	Fig.4
SSAC200GK08B ~ SSAC200GK18B	314	200	85	800 ~ 1800	7900	0.95	1.05	1000	125	0.152	Fig.4
S3SSAC58G08E ~ S3SSAC58G18E	60	27	85	800 ~ 1800	550	0.85	11	1000	125	0.150	Fig.5
S3SSAC70G08B ~ S3SSAC70G18B	110	70	85	800 ~ 1800	1280	0.85	3.2	1000	125	0.070	Fig.53
S3SSAC70G08TB ~ S3SSAC70G18TB	110	70	85	800 ~ 1800	1280	0.85	3.2	1000	125	0.070	Fig.53
S4SSAC70G08B ~ S4SSAC70G18B	110	70	85	800 ~ 1800	1280	0.85	3.2	1000	125	0.070	Fig.53
S4SSAC110G08B ~ S4SSAC110G18B	170	110	85	800 ~ 1800	2250	0.85	2.4	1000	125	0.034	Fig.62

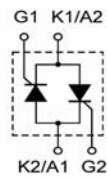
SRW1C112G08 ~ SRW1C112G18	112	51	85	800 ~ 1800	1000	0.85	5.6	1000	125	0.400	Fig.67
SRW1C142G08 ~ SRW1C142G18	130	58	85	800 ~ 1800	1150	0.85	5.2	1000	125	0.350	Fig.67
SRW1C176G08 ~ SRW1C176G18	175	80	85	800 ~ 1800	1500	0.85	3.7	1000	125	0.250	Fig.67
SRW1C206G08 ~ SRW1C206G18	206	105	85	800 ~ 1800	2250	0.8	2.4	1000	125	0.130	Fig.68



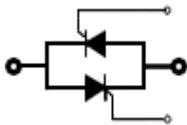
SSAC**



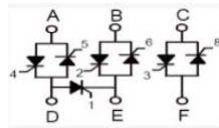
SSAC**B



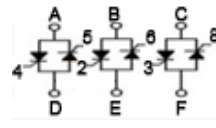
SOT-227



SRW1C

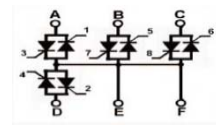


S3SSAC**TB




S3SSAC**B

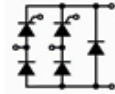
Without Suffix means with DCB Baseplate
 Suffix " B " means with Copper Baseplate



S4SSAC**B

单相桥式半控模块(带续流二极管)


 E310749

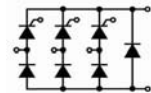


Single Phase Half Controlled Bridge Modules With Free Wheeling Diode

型号 TYPE	电气特性Electrical Characteristics									封装外形 Package Style
	I _{dAV}		V _{DRM}	I _{TSM}	V _{TO}	r _T	dv/dt	T _{VJM}	R _{thJC}	
			/V _{RRM}	45°C/10ms						
A	°C	V	A	V	mΩ	V/μs	°C	K/W		
S1PHB15G08 ~ S1PHB15G18	15	85	800 ~ 1800	190	1.0	40	1000	125	2.40	Fig.13
S1PHB25G08E1 ~ S1PHB25G18E1	32	85	800 ~ 1800	200	0.85	27	1000	125	0.26	Fig.69
S1PHB28G08 ~ S1PHB28G18	28	85	800 ~ 1800	300	0.9	15	1000	125	1.40	Fig.13
S1PHB36G08 ~ S1PHB36G18	36	85	800 ~ 1800	320	0.85	13	1000	125	1.15	Fig.13
S1PHB40G08 ~ S1PHB40G18	40	85	800 ~ 1800	360	0.85	12	1000	125	1.00	Fig.13
S1PHB41GK08B ~ S1PHB41GK18B	41	85	800 ~ 1800	430	0.88	13	1000	125	0.98	Fig.59
S1PHB50GK08B ~ S1PHB50GK18B	50	85	800 ~ 1800	540	0.85	11	1000	125	0.90	Fig.59
S1PHB55G08B ~ S1PHB55G18B	55	85	800 ~ 1800	550	0.85	11	1000	125	0.90	Fig.41
S1PHB75GK08B ~ S1PHB75GK18B	75	85	800 ~ 1800	810	0.83	10.5	1000	125	0.85	Fig.59

三相桥式半控模块(带续流二极管)

 E310749




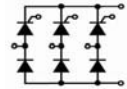
Three Phase Half Controlled Bridge Modules With Wheeling Diode

型号 TYPE	电气特性Electrical Characteristics									封装外形 Package Style
	I _{dAV}		V _{DRM}	I _{TSM}	V _{TO}	r _T	dv/dt	T _{VJM}	R _{thJC}	
			/V _{RRM}	45°C/10ms						
A	°C	V	A	V	mΩ	V/μs	°C	K/W		
S3PHBD70G08B ~ S3PHBD70G18B	70	85	800 ~ 1800	550	0.85	11	1000	125	0.90	Fig.41
S3PHBD110G08B ~ S3PHBD110G18B	110	85	800 ~ 1800	1150	0.85	11	1000	125	0.65	Fig.43

S3PHBD180G08B ~ S3PHBD180G18B	180	85	800 ~ 1800	1500	0.85	3.5	1000	125	0.55	Fig.43
S3PHBN50G06 ~ S3PHBN50G18	50	85	600 ~ 1800	500	0.85	11	1000	125	0.04	Fig.70

三相桥式半控模块（不带续流二极管）


 E310749

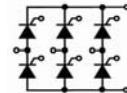


Three Phase Half Controlled Bridge Modules Without Free Wheeling Diodes

型号 TYPE	电气特性Electrical Characteristics									封装外形 Package Style
	I _{dAV}		V _{DRM}	I _{TSM}	V _{TO}	r _T	dv/dt	T _{VJM}	R _{thJC}	
			/V _{RRM}	45°C/10ms						
A	°C	V	A	V	mΩ	V/μs	°C	K/W		
S3PHB70G08B ~ S3PHB70G18B	70	85	800 ~ 1800	550	0.85	11	1000	125	0.90	Fig.41
S3PHB110G08B ~ S3PHB110G18B	110	85	800 ~ 1800	1150	0.85	11	1000	125	0.65	Fig.43
S3PHB180G08B ~ S3PHB180G18B	180	85	800 ~ 1800	1500	0.85	11	1000	125	0.46	Fig.43

三相桥式全控模块（不带续流二极管）

 E310749



Three Phase Full Controlled Bridge Modules Without Free Wheeling Diodes

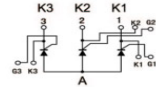
型号 TYPE	电气特性Electrical Characteristics									封装外形 Package Style
	I _{dAV}		V _{DRM}	I _{TSM}	V _{TO}	r _T	dv/dt	T _{VJM}	R _{thJC}	
			/V _{RRM}	45°C/10ms					per chip	
A	°C	V	A	V	mΩ	V/μs	°C	K/W		
S3PFB70G08B ~ S3PFB70G18B	70	85	800 ~ 1800	550	0.85	11	1000	125	0.90	Fig.41
S3PFB110G08B ~ S3PFB110G18B	110	85	800 ~ 1800	1150	0.85	11	1000	125	0.65	Fig.43
S3PFB180G08B ~ S3PFB180G18B	180	85	800 ~ 1800	1500	0.85	11	1000	125	0.46	Fig.43

Suffix " B " means with Copper Baseplate;

Without Suffix means with DCB Baseplate;

三相半桥式晶闸管模块 (电焊机专用)

Three Phase Thyristor Half Bridge Modules (For Welding Machines)



型号 TYPE	电气特性 Electrical Characteristics										封装外形 Package Style
	I_T			V_{DRM}	I_{TSM}	V_{TM}	I_{GT}/V_{GT}	dw/dt	T_{VJM}	R_{thJC}	
	I_{TRMS}	I_{TVM}	@ T_C	V_{RRM}	50Hz					per chip	
	A	A	°C	V	A	V	mA/V	V/ μ s	°C	°C/W	
3TA60GK03NB-A 3TA60GK04NB-A 3TA60GK06NB-A	94	60	85	300 400 600	1640	1.25	75/1.2	500	150	0.35	Fig.25
3TA60GK03NB-B 3TA60GK04NB-B 3TA60GK06NB-B	94	60	85	300 400 600	1640	1.25	75/1.2	500	150	0.37	Fig.51
3TA80GK03NB-A 3TA80GK04NB-A 3TA80GK06NB-A	125	80	85	300 400 600	2280	1.20	75/1.2	500	150	0.34	Fig.25
3TA80GK03NB-B 3TA80GK04NB-B 3TA80GK06NB-B	125	80	85	300 400 600	2280	1.20	75/1.2	500	150	0.36	Fig.51
3TA100GK03NB-A 3TA100GK04NB-A 3TA100GK06NB-A	157	100	85	300 400 600	3200	1.20	75/1.2	500	150	0.30	Fig.25
3TA100GK03NB-B 3TA100GK04NB-B 3TA100GK06NB-B	157	100	85	300 400 600	3200	1.20	75/1.2	500	150	0.32	Fig.51
3TA130GK03NB-A 3TA130GK04NB-A 3TA130GK06NB-A	204	130	85	300 400 600	3800	1.20	75/1.2	500	150	0.20	Fig.25
3TA130GK03NB-B 3TA130GK04NB-B 3TA130GK06NB-B	204	130	85	300 400 600	3800	1.20	75/1.2	500	150	0.22	Fig.51
3TA150GK03NB 3TA150GK04NB 3TA150GK06NB	235	150	85	300 400 600	4000	1.20	100/1.5	500	150	0.16	Fig.47
3TA151GK03NB 3TA151GK04NB 3TA151GK06NB	235	150	85	300 400 600	4000	1.20	100/1.5	500	150	0.15	Fig.19
3TA200GK03NB 3TA200GK04NB 3TA200GK06NB	314	200	85	300 400 600	5400	1.20	100/1.5	500	150	0.13	Fig.47
3TA201GK03NB 3TA201GK04NB 3TA201GK06NB	314	200	85	300 400 600	5400	1.20	100/1.5	500	150	0.12	Fig.19
3TA250GK03NB 3TA250GK04NB 3TA250GK06NB	392	250	85	300 400 600	6750	1.20	100/1.5	500	150	0.09	Fig.47
3TA251GK03NB 3TA251GK04NB 3TA251GK06NB	392	250	85	300 400 600	6750	1.20	100/1.5	500	150	0.08	Fig.19

高结温低漏电流肖特基势垒二极管

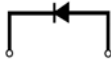
High T_{jm} Low IRRM Schottky Barrier Diodes T_j = - 65°C ~ +175°C, T_{jm} = +175°C

型号 TYPE	电气特性Electrical Characteristics							封装外形 Package Style
	V _R =V _{RRM}	I _{FAV}	I _{FSM}	I _{RRM} at V _R =V _{RRM}		V _{Fmax} at I _{FM}		
				25°C	125°C	V	A	
	V	A	A	mA	mA	V	A	
MBR540	40	5.0	175	0.05	10	0.65	5	TO -220AC
MBR560	60	5.0	175	0.05	10	0.75	5	TO -220AC
MBR580	80	5.0	120	0.10	10	0.85	5	TO -220AC
MBR5100	100	5.0	120	0.10	10	0.85	5	TO -220AC
MBR5150	150	5.0	120	0.10	15	0.95	5	TO -220AC
MBR5200	200	5.0	120	0.10	15	0.95	5	TO -220AC
MBR730	30	7.5	150	0.10	15	0.60	7	TO -220AC
MBR735	35	7.5	150	0.10	15	0.60	7	TO -220AC
MBR740	40	7.5	150	0.10	15	0.65	7	TO -220AC
MBR745	45	7.5	150	0.10	15	0.65	7	TO -220AC
MBR750	50	7.5	150	0.50	15	0.75	7	TO -220AC
MBR760	60	8.0	150	0.50	15	0.75	7.5	TO -220AC
MBR830	30	8.0	150	0.10	15	0.60	8	TO -220AC
MBR835	35	8.0	150	0.10	15	0.60	8	TO -220AC
MBR840	40	8.0	150	0.10	0.65	0.65	8	TO -220AC
MBR845	45	8.0	150	0.10	15	0.65	8	TO -220AC
MBR850	50	8.0	150	0.10	15	0.65	8	TO -220AC
MBR860	60	8.0	150	0.10	15	0.75	8	TO -220AC
MBR870	70	8.0	125	0.10	15	0.75	8	TO -220AC
MBR880	80	8.0	125	0.10	15	0.85	8	TO -220AC
MBR890	90	8.0	125	0.10	15	0.85	8	TO -220AC
MBR8100	100	8.0	125	0.10	15	0.85	8	TO -220AC
MBR870L	70	8.0	230	0.10	15	0.72	8	TO -263(D ² PAK)
MBR880L	80	8.0	230	0.10	15	0.72	8	TO -263(D ² PAK)
MBR890L	90	8.0	230	0.10	15	0.80	8	TO -263(D ² PAK)
MBR8100L	100	10.0	230	0.10	15	0.80	8	TO -263(D ² PAK)
MBR1030	30	10.0	150	0.10	15	0.60	10	TO -220AC
MBR1035	35	10.0	150	0.10	15	0.60	10	TO -220AC
MBR1040	40	10.0	150	0.10	15	0.65	10	TO -220AC
MBR1045	45	10.0	150	0.10	15	0.65	10	TO -220AC
MBR1050	50	10.0	150	0.10	25	0.65	10	TO -220AC
MBR1060	60	10.0	150	0.10	25	0.75	10	TO -220AC
MBR1070	70	10.0	150	0.10	50	0.75	10	TO -220AC
MBR1080	80	10.0	150	0.10	50	0.85	10	TO -220AC
MBR1090	90	10.0	150	0.10	50	0.85	10	TO -220AC
MBR10100	100	10.0	150	0.20	50	0.85	10	TO -220AC
MBR10150	150	10.0	150	0.20	70	0.90	10	TO -220AC
MBR10200	200	10.0	150	0.50	100	0.95	10	TO -220AC
MBR1630	30	16.0	150	0.20	40	0.63	16	TO -220AC
MBR1635	35	16.0	150	0.20	40	0.63	16	TO -220AC
MBR1640	40	16.0	150	0.20	40	0.63	16	TO -220AC
MBR1645	45	16.0	150	0.20	40	0.63	16	TO -220AC
MBR1650	50	16.0	150	1.00	50	0.75	16	TO -220AC
MBR1660	60	16.0	150	1.00	50	0.75	16	TO -220AC
MBR16100	100	16.0	150	1.00	50	0.85	16	TO -220AC
MBR16150	150	16.0	145	1.00	50	0.85	16	TO -220AC
MBR16200	200	16.0	140	1.00	50	0.9	16	TO -220AC

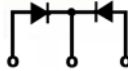
MBR1030CT	30	10.0	125	0.10	15	0.60	5	TO -220AB
MBR1035CT	35	10.0	125	0.10	15	0.60	5	TO -220AB
MBR1040CT	40	10.0	125	0.10	15	0.70	5	TO -220AB
MBR1045CT	45	10.0	125	0.10	15	0.70	5	TO -220AB
MBR1050CT	50	10.0	125	0.10	15	0.80	5	TO -220AB
MBR1060CT	60	10.0	125	0.10	15	0.80	5	TO -220AB
MBR1070CT	70	10.0	120	0.10	15	0.85	5	TO -220AB
MBR1080CT	80	10.0	120	0.10	15	0.85	5	TO -220AB
MBR1090CT	90	10.0	120	0.10	15	0.85	5	TO -220AB
MBR10100CT	100	10.0	120	0.10	15	0.85	5	TO -220AB
MBR10150CT	150	10.0	120	0.05	15	0.95	5	TO -220AB
MBR10200CT	200	10.0	120	0.05	15	0.95	5	TO -220AB
MBRB1630CT	30	16.0	150	0.20	15	0.63	8	TO -263(D ² PAK)
MBRB1635CT	35	16.0	150	0.20	15	0.63	8	TO -263(D ² PAK)
MBRB1640CT	40	16.0	150	0.20	15	0.65	8	TO -263(D ² PAK)
MBRB1645CT	45	16.0	150	0.20	15	0.65	8	TO -263(D ² PAK)
MBRB2515L	15	25.0	150	15.00	200@100°C	0.45	25	TO -263(D ² PAK)
MBR1630CT	30	16.0	150	0.20	15	0.63	8	TO -220AB
MBR1635CT	35	16.0	150	0.20	15	0.63	8	TO -220AB
MBR1640CT	40	16.0	150	0.20	15	0.65	8	TO -220AB
MBR1645CT	45	16.0	150	0.20	15	0.65	8	TO -220AB
MBR1650CT	50	16.0	150	1.00	50	0.75	8	TO -220AB
MBR1660CT	60	16.0	150	1.00	50	0.75	8	TO -220AB
MBR1670CT	70	16.0	125	1.00	50	0.75	8	TO -220AB
MBR1680CT	80	16.0	125	0.10	50	0.85	8	TO -220AB
MBR1690CT	90	16.0	125	0.10	50	0.85	8	TO -220AB
MBR16100CT	100	16.0	125	0.10	50	0.85	8	TO -220AB
MBR2030CT	30	20.0	150	0.10	15	0.75	20	TO -220AB
MBR2035CT	35	20.0	150	0.10	15	0.75	20	TO -220AB
MBR2040CT	40	20.0	150	0.10	15	0.80	20	TO -220AB
MBR2045CT	45	20.0	150	0.10	15	0.80	20	TO -220AB
MBR2050CT	50	20.0	150	0.10	15	0.85	20	TO -220AB
MBR2060CT	60	20.0	150	0.10	15	0.85	20	TO -220AB
MBR2070CT	70	20.0	150	0.50	100	0.95	20	TO -220AB
MBR2080CT	80	20.0	150	0.50	100	0.95	20	TO -220AB
MBR2090CT	90	20.0	150	0.50	100	0.95	20	TO -220AB
MBR20100CT	100	20.0	150	0.50	100	0.95	20	TO -220AB
MBR20150CT	150	20.0	150	1.00	100	0.9	10	TO -220AB
MBR20200CT	200	20.0	150	1.00	200	0.95	10	TO -220AB
MBR20250CT	250	20.0	135	1.00	200	0.98	10	TO -220AB
MBR2530CT	30	25.0	150	0.20	40	0.75	30	TO -220AB
MBR2535CT	35	25.0	150	0.20	40	0.75	30	TO -220AB
MBR2540CT	40	25.0	150	0.20	40	0.82	30	TO -220AB
MBR2545CT	45	25.0	150	1.00	50	0.7	15	TO -220AB
MBR2550CT	50	25.0	150	1.00	50	0.75	15	TO -220AB
MBR2560CT	60	25.0	150	1.00	50	0.75	15	TO -220AB
MBR3030CT	30	30.0	200	0.20	40	0.75	30	TO -220AB
MBR3035CT	35	30.0	200	0.20	40	0.75	30	TO -220AB
MBR3040CT	40	30.0	200	0.20	40	0.75	30	TO -220AB
MBR3045CT	45	30.0	200	0.20	40	0.75	30	TO -220AB
MBR3050CT	50	30.0	200	0.20	40	0.85	30	TO -220AB
MBR3060CT	60	30.0	200	1.00	40	0.76	30	TO -220AB
MBR3030PT	30	30.0	200	1.00	60	0.76	30	TO -247AD
MBR3035PT	35	30.0	200	1.00	60	0.76	30	TO -247AD

MBR3040PT	40	30.0	200	1.00	60	0.76	30	TO -247AD
MBR3045PT	45	30.0	200	1.00	60	0.76	30	TO -247AD
MBR3050PT	50	30.0	200	1.00	100	0.8	30	TO -247AD
MBR3060PT	60	30.0	200	1.00	100	0.8	30	TO -247AD
MBR30100PT	100	30.0	250	1.00	100	0.85	15	TO -247AD
MBR30150PT	150	30.0	245	1.00	100	0.9	15	TO -247AD
MBR30200PT	200	30.0	240	1.00	100	0.95	15	TO -247AD
MBR30250PT	250	30.0	230	1.00	100	0.98	15	TO -247AD
MBR4030PT	30	40.0	400	1.00	50	0.60	20	TO -247AD
MBR4035PT	35	40.0	400	1.00	50	0.60	20	TO -247AD
MBR4040PT	40	40.0	400	1.00	50	0.65	20	TO -247AD
MBR4045PT	45	40.0	400	1.00	50	0.65	20	TO -247AD
MBR4050PT	50	40.0	400	1.00	100	0.65	20	TO -247AD
MBR4060PT	60	40.0	400	1.00	100	0.65	20	TO -247AD
MBR40100PT	100	40.0	300	1.00	100	0.65	20	TO -247AD
MBR6030PT	30	60.0	500	1.00	50	0.65	30	TO -247AD
MBR6035PT	35	60.0	500	1.00	50	0.65	30	TO -247AD
MBR6040PT	40	60.0	500	1.00	50	0.65	30	TO -247AD
MBR6045PT	45	60.0	500	1.00	50	0.65	30	TO -247AD
MBR2×40-100	100	2×40	450	1.00	50	0.85	80	SOT-227
MBR2×60-30	30	2×60	800	4.00	50	0.65	60	SOT-227
MBR2×60-40	40	2×60	800	4.00	50	0.65	60	SOT-227
MBR2×60-45	45	2×60	800	4.00	50	0.65	60	SOT-227
MBR2×60-100	100	2×60	700	4.00	100	0.93	120	SOT-227
MBR2×80-30	30	2×80	900	4.00	200	0.66	80	SOT-227
MBR2×80-40	40	2×80	900	4.00	200	0.66	80	SOT-227
MBR2×80-45	45	2×80	900	4.00	200	0.66	80	SOT-227
MBR2×100-150	150	2×100	1200	4.00	200	0.99	200	SOT-227
MBR2×120-30	30	2×120	1800	4.00	200	0.62	120	SOT-227
MBR2×120-40	40	2×120	1800	4.00	200	0.65	120	SOT-227
MBR2×120-45	45	2×120	1800	4.00	200	0.65	120	SOT-227
MBR2×160-45NB	45	2×160	1600	4.00	200	0.95	320	SOT-227
MBR2×160-100NB	100	2×160	1400	4.00	200	1.05	320	SOT-227
MBR2×160-150NB	150	2×160	1350	4.00	200	1.15	300	SOT-227
MBR2×160-200NB	200	2×150	1300	4.00	200	1.2	300	SOT-227
MBR150-45NB	45	150	1400	2	20	0.65	150	Fig.42
MBR150-60NB	60	150	1400	2	20	0.75	150	Fig.42
MBR150-100NB	100	150	1400	2	20	0.85	150	Fig.42
MBR250-45NB	45	250	2100	4	40	0.65	250	Fig.42
MBR250-60NB	60	250	2100	4	40	0.75	250	Fig.42
MBR250-100NB	100	250	2100	4	40	0.85	250	Fig.42
MBR300-45NB	45	300	3000	8	80	0.65	300	Fig.42
MBR300-60NB	60	300	3000	8	80	0.75	300	Fig.42
MBR300-100NB	100	300	3000	8	80	0.85	300	Fig.42
MBR400-45NB	45	400	4500	10	120	0.65	400	Fig.42
MBR400-60NB	60	400	4500	10	120	0.75	400	Fig.42
MBR400-100NB	100	400	4500	10	120	0.85	400	Fig.42
MBR400-200NB	200	400	4500	10	120	0.95	400	Fig.42
SRBD20045CT	45	200	1200	2	20	0.65	100	Fig.45
SRBD20060CT	60	200	1200	2	20	0.75	100	Fig.45
SRBD200100CT	100	200	1200	2	20	0.85	100	Fig.45
SRBD200150CT	150	200	1200	2	20	0.90	100	Fig.45
SRBD200200CT	200	200	1200	2	20	0.95	100	Fig.45
SRBD30045CT	45	300	1800	4	40	0.65	150	Fig.45

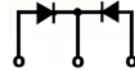
SRBD30060CT	60	300	1800	4	40	0.75	150	Fig.45
SRBD300100CT	100	300	1800	4	40	0.85	150	Fig.45
SRBD300150CT	150	300	1800	4	40	0.90	150	Fig.45
SRBD300200CT	200	300	1800	4	40	0.95	150	Fig.45
SRBD40045CT	45	400	2500	8	80	0.65	200	Fig.45
SRBD40060CT	60	400	2500	8	80	0.75	200	Fig.45
SRBD400100CT	100	400	2500	8	80	0.85	200	Fig.45
SRBD400150CT	150	400	2500	8	80	0.90	200	Fig.45
SRBD400200CT	200	400	2500	8	80	0.95	200	Fig.45



MBRxxxx
TO-220AC
TO-247AC



MBRxxxxCT
TO-220AB
TO-263



MBRxxxxPT
TO-247AD



Fig.42

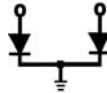
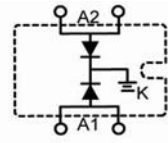


Fig.44, Fig.45



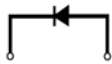
SOT-227

Suffix " NB " means Non-Isolated Package with Copper Baseplate

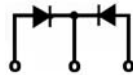
超快恢复二极管

Ultra Fast Recovery Diodes $T_j = -40^{\circ}\text{C} \sim +125^{\circ}\text{C}$, $T_{jm} = +125^{\circ}\text{C}$

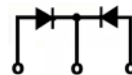
型号 TYPE	电气特性Electrical Characteristics								封装外形 Package Style
	$V_R=V_{RRM}$	I_{FAV}	I_{FSM}	I_R at $V_R=V_{RRM}$		V_{Fmax} at I_F		$T_{rr(max)}$	
				25°C	125°C			@RG1 CKT	
	V	A	A	μA	mA	V	A	ns	
MUR820	200	8	100	20	0.50	0.950	8	35	TO-220AC
MUR860	600	8	100	20	1.50	1.500	8	50	TO-220AC
MURB860	600	8	100	20	1.50	1.500	8	50	TO-263
MUR1520	200	15	100	50	3.00	0.950	15	35	TO-220AC
MUR1560	600	15	100	50	3.00	1.500	15	50	TO-220AC
MURB1560	600	15	100	50	3.00	1.500	15	50	TO-263
MURB2960	600	29	300	100	7.00	1.500	29	50	TO-263
MUR3020	200	30	300	250	1.00	1.250	30	35	TO-247AC
MUR3030	300	30	300	100	1.00	1.300	30	35	TO-247AC
MUR3040	400	37	300	100	7.00	1.500	37	50	TO-247AC
MUR3060	600	37	300	100	7.00	1.500	37	50	TO-247AC
MUR6020	200	69	600	50	11.00	1.200	60	35	TO-247AC
MUR6030	300	60	550	200	14.00	1.200	60	35	TO-247AC
MUR6040	400	60	550	500	14.00	1.500	60	50	TO-247AC
MUR6060	600	60	550	200	14.00	1.500	60	50	TO-247AC
MUR12060	600	126	600	3mA	20.00	1.700	120	75	TO-247AC
MURB1620CT	200	16	90	5	0.10	0.950	8	35	TO-263
MUR1660CT	600	16	125	5	0.50	1.500	8	50	TO-220AB
MUR2060CT	600	20	110	50	1.00	1.500	10	50	TO-220AB
MUR3020PT	200	30	100	50	3.00	0.950	15	35	TO-247AD
MUR3030PT	300	30	100	50	3.00	0.950	15	35	TO-247AD
MUR3040PT	400	30	100	50	3.00	1.500	15	50	TO-247AD
MUR3060PT	600	30	100	50	3.00	1.500	15	50	TO-247AD
MUR6020PT	200	60	325	200	5.00	1.250	30	50	TO-247AD
MUR6030PT	300	60	325	200	5.00	1.250	30	50	TO-247AD
MUR6040PT	400	60	300	100	7.00	1.500	30	50	TO-247AD
MUR6060PT	600	60	300	100	7.00	1.500	30	50	TO-247AD



MURxxx
TO -220AC
TO -247AC
TO -263



MURxxxCT
TO -220AB



MURxxxPT
TO -247AD

软恢复特性超快恢复外延二极管

Soft Recovery Behaviour Ultra Fast Recovery Epitaxial Diodes


Tj = - 40°C ~ +125°C, Tjm = +125°C

型号 TYPE	电气特性 Electrical Characteristics								封装外形 Package Style
	V _R =V _{RRM}	I _{FAV}	I _{FSM}	I _{RRM} at V _R =V _{RRM}		V _{Fmax} at I _{FM}		Trr(max)	
				25°C	125°C	V	A	@RG1 CKT	
V	A	A	μA	mA	V	A	ns		
SUR820	200	8	100	20	1.50	1.500	8	50	TO-220AC
SUR860	600	8	100	20	1.50	1.500	8	50	TO-220AC
SURB860	600	8	100	20	1.50	1.500	8	50	TO-263
SUR8100	1000	8	100	20	1.50	1.500	8	50	TO-220AC
SUR1520	200	15	100	50	3.00	1.700	16	50	TO-220AC
SUR1560	600	15	100	50	3.00	1.700	16	50	TO-220AC
SURB1560	600	15	100	50	3.00	1.700	16	50	TO-220AC
SUR15100	1000	15	75	250	4.00	2.600	15	70	TO-220AC
SUR15120	1200	15	75	250	4.00	2.600	15	70	TO-220AC
SUR20100	1000	17	130	750	7.00	2.150	12	60	TO-220AC
SUR20120	1200	17	130	750	7.00	2.150	12	60	TO-220AC
SURB2960	600	29	300	100	7.00	1.600	29	50	TO-263
SUR3020	200	30	300	100	7.00	1.600	37	50	TO-247AC
SUR3030	300	30	300	100	7.00	1.600	37	50	TO-247AC
SUR3040	400	30	300	100	7.00	1.600	37	50	TO-247AC
SUR3060	600	30	300	100	7.00	1.600	37	50	TO-247AC
SUR3080	800	30	200	750	7.00	2.550	30	60	TO-247AC
SUR30100	1000	30	200	750	7.00	2.550	30	60	TO-247AC
SUR30120	1200	30	200	750	7.00	2.550	30	60	TO-247AC
SUR6020	200	60	600	50	11.00	1.080	60	50	TO-247AC
SUR6030	300	60	550	200	14.00	1.800	70	50	TO-247AC
SUR6040	400	60	550	200	14.00	1.800	70	50	TO-247AC
SUR6060	600	60	550	200	14.00	1.800	70	50	TO-247AC
SUR6080	800	60	500	3000	14.00	2.300	60	50	TO-247AC
SUR60100	1000	60	500	3000	14.00	2.300	60	50	TO-247AC
SUR60120	1200	60	500	3000	14.00	2.300	60	50	TO-247AC
SUR12060	600	120	600	3000	20.00	1.300	70	50	TO-247AC
SUR120120	1200	120	600	3000	20.00	1.800	70	60	TO-247AC
SURB1610CT	100	16	100	20	1.50	1.500	8	50	TO-263
SURB1620CT	200	16	100	20	1.50	1.500	8	50	TO-263
SUR1660CT	600	16	100	20	1.50	1.500	8	50	TO-220AB
SUR2060CT	600	20	100	50	3.00	1.700	16	50	TO-220AB
SUR20100CT	1000	20	75	250	4.00	2.700	12	60	TO-220AB
SUR3020PT	200	30	100	50	3.00	1.700	16	50	TO-247AD
SUR3030PT	300	30	100	50	3.00	1.700	16	50	TO-247AD
SUR3040PT	400	30	100	50	3.00	1.700	16	50	TO-247AD
SUR3060PT	600	30	100	50	3.00	1.700	16	50	TO-247AD
SUR30100PT	1000	30	75	250	4.00	2.600	15	70	TO-247AD
SUR30120PT	1200	30	75	250	4.00	2.600	15	70	TO-247AD
SUR6020PT	200	60	300	100	7.00	1.400	37	50	TO-247AD
SUR6030PT	300	60	300	100	7.00	1.400	37	50	TO-247AD
SUR6040PT	400	60	300	100	7.00	1.400	37	50	TO-247AD
SUR6060PT	600	60	300	100	7.00	1.400	37	50	TO-247AD
SUR60100PT	1000	60	200	750	7.00	2.550	30	60	TO-247AD
SUR60120PT	1200	60	200	750	7.00	2.550	30	60	TO-247AD

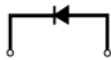
软恢复特性超快恢复外延二极管

Soft Recovery Behaviour Ultra Fast Recovery Epitaxial Diodes

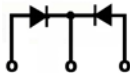
Tj = - 40°C ~ +125°C, Tj_m = +125°C

 E310749

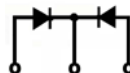
型号 TYPE	电气特性 Electrical Characteristics								封装外形 Package Style
	V _R =V _{RRM}	I _{FAV}	I _{FSM}	I _{RRM} at V _R =V _{RRM}		V _{Fmax} at I _{FM}		T _{rr(max)}	
				25°C	125°C	V	A	@RG1 CKT	
V	A	A	µA	mA	V	A	ns		
SUR2×30-04	400	2×30	300	100	7.00	1.600	30	50	SOT-227
SUR2×30-06	600	2×30	300	100	7.00	1.600	30	50	SOT-227
SUR2×30-08	800	2×30	200	750	7.00	2.400	30	50	SOT-227
SUR2×30-10	1000	2×30	200	750	7.00	2.400	30	50	SOT-227
SUR2×30-12	1200	2×28	200	750	7.00	2.550	30	60	SOT-227
SUR2×60-02	200	2×71	950	50	11.00	1.080	60	50	SOT-227
SUR2×60-04	400	2×60	550	200	14.00	1.800	60	50	SOT-227
SUR2×60-06	600	2×60	550	200	14.00	1.800	60	50	SOT-227
SUR2×60-08	800	2×60	500	3000	14.00	2.300	60	50	SOT-227
SUR2×60-10	1000	2×60	500	3000	14.00	2.300	60	50	SOT-227
SUR2×60-12	1200	2×52	450	2200	14.00	2.500	60	60	SOT-227
SUR2×100-06	600	2×96	1200	3000	20.00	1.250	100	50	SOT-227
SUR2×100-12	1200	2×91	900	3000	15.00	1.870	100	60	SOT-227
SUR2×120-02	200	2×123	1200	1000	20.00	1.100	120	50	SOT-227
SUR2×125-12	1200	2×125	1400	3000	15.00	2.200	125	50	SOT-227



SURxxxx
TO -220AC
TO -247AC



SURxxxxCT
TO -220AB
TO -263



SURxxxxPT
TO -247AD



SUR2×
SOT -227

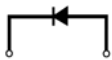
软恢复特性高性能高结温超快恢复外延二极管

Soft Recovery Behaviour High - Performance Wide Temperature Range Ultra Fast

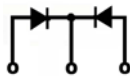
Recovery Epitaxial Diodes $T_j = -55^{\circ}\text{C} \sim +175^{\circ}\text{C}$, $T_{jm} = +175^{\circ}\text{C}$

型号 TYPE	电气特性Electrical Characteristics								封装外形 Package Style
	$V_R=V_{RRM}$	I_{FAV}	I_{FSM}	I_{RRM} at $V_R=V_{RRM}$		V_{Fmax} at I_{FM}		$T_{rr}(\text{max})$	
				25°C	125°C			@RG1 CKT	
	V	A	A	μA	mA	V	A	ns	
HURB820	200	8	80	50	200	1.30	8	25	TO-263
HUR820	200	8	80	50	200	1.30	8	25	TO-220AC
HURB830	300	10	60	60	250	1.75	10	30	TO-263
HUR830	300	10	60	60	250	1.75	10	30	TO-220AC
HUR1060	600	10	50	60	250	2.10	10	35	TO-220AC
HUR10100	1000	10	40	60	250	2.94	10	40	TO-220AC
HUR10120	1200	10	40	60	250	2.94	10	40	TO-220AC
HURB1520	200	15	140	100	500	1.68	15	30	TO-263
HUR1520	200	15	140	100	500	1.68	15	30	TO-220AC
HURB1530	300	15	140	100	500	1.68	15	30	TO-263
HUR1530	300	15	140	100	500	1.68	15	30	TO-220AC
HUR1540	400	15	140	100	500	1.68	15	30	TO-220AC
HUR1560	600	15	110	100	500	2.04	15	35	TO-220AC
HUR15100	1000	15	90	100	500	2.75	15	40	TO-220AC
HUR15120	1200	15	90	100	500	2.75	15	40	TO-220AC
HUR2960	600	30	250	250	1000	1.61	30	35	TO-220AC
HUR29100	1000	30	200	250	1000	2.75	30	40	TO-220AC
HUR29120	1200	30	200	250	1000	2.75	30	40	TO-220AC
HUR3030	300	30	300	250	1000	1.25	30	30	TO-247AC
HUR3040	400	30	300	250	1000	1.46	30	30	TO-247AC
HUR3060	600	30	250	250	1000	1.6	30	35	TO-247AC
HUR30100	1000	30	200	250	1000	2.74	30	40	TO-247AC
HUR30120	1200	30	200	250	1000	2.74	30	40	TO-247AC
HUR6030	300	60	700	650	2500	1.71	60	30	TO-247AC
HUR6040	400	60	700	650	2500	1.71	60	30	TO-247AC
HUR6060	600	60	600	650	2500	2.04	60	35	TO-247AC
HUR60100	1000	60	500	650	2500	2.66	60	40	TO-247AC
HUR60120	1200	60	500	650	2500	2.66	60	40	TO-247AC
HUR1620CT	200	2×8	80	50	200	1.3	8	25	TO-220AB
HUR1630CT	300	2×8	60	60	250	1.75	10	30	TO-220AB
HUR2060CT	600	2×10	50	60	250	2.1	10	35	TO-220AB
HUR20100CT	1000	2×10	40	60	250	2.94	10	40	TO-220AB
HUR20120CT	1200	2×10	40	60	250	2.94	10	40	TO-220AB
HURB3020CT	200	2×15	140	100	500	1.68	15	30	TO-263
HUR3020CT	200	2×15	140	100	500	1.68	15	30	TO-220AB
HUR3020PT	200	2×15	140	100	500	1.68	15	30	TO-247AD
HUR3030CT	300	2×15	140	100	500	1.68	15	30	TO-220AB
HUR3030PT	300	2×15	140	100	500	1.68	15	30	TO-247AD
HUR3040PT	400	2×15	140	100	500	1.68	15	30	TO-247AD
HUR3060PT	600	2×15	110	100	500	2.04	15	35	TO-247AD
HUR30100PT	1000	2×15	90	100	500	2.75	15	40	TO-247AD
HUR30120PT	1200	2×15	90	100	500	2.75	15	40	TO-247AD
HUR6030PT	300	2×30	300	250	1000	1.25	30	30	TO-247AD
HUR6040PT	400	2×30	300	250	1000	1.46	30	30	TO-247AD

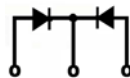
HUR6060PT	600	2×30	250	250	1000	1.6	30	35	TO-247AD
HUR60100PT	1000	2×30	200	250	1000	2.74	30	40	TO-247AD
HUR60120PT	1200	2×30	200	250	1000	2.74	30	40	TO-247AD
HUR2×30-30	300	2×30	300	250	1000	1.23	30	30	SOT-227
HUR2×30-40	400	2×30	300	250	1000	1.45	30	30	SOT-227
HUR2×30-60	600	2×30	250	250	1000	1.58	30	35	SOT-227
HUR2×30-100	1000	2×30	200	250	1000	2.72	30	40	SOT-227
HUR2×30-120	1200	2×30	200	250	1000	2.72	30	40	SOT-227
HUR2×60-30	300	2×60	600	650	2500	1.68	60	30	SOT-227
HUR2×60-40	400	2×60	600	650	2500	1.68	60	30	SOT-227
HUR2×60-60	600	2×60	600	650	2500	2.01	60	35	SOT-227
HUR2×60-100	1000	2×60	500	1000	4000	2.42	60	40	SOT-227
HUR2×60-120	1200	2×60	500	1000	4000	2.42	60	40	SOT-227
HUR2×100-40	400	2×100	1000	1000	4000	1.54	100	30	SOT-227



HURxxxx
TO-220AC
TO-247AC
TO-263



HURxxxxCT
TO-220AB
TO-263



HURxxxxPT
TO-247AD



SOT-227

软恢复特性超快恢复外延二极管模块

Soft Recovery Behaviour Ultra Fast Recovery Epitaxial Diode Modules

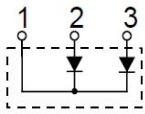
Tj = -40°C ~ +125°C, Tjm = +125°C

E310749

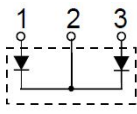
型号 TYPE	电气特性 Electrical Characteristics								封装外形 Package Style
	V _R =V _{RRM}	I _{FAV}	I _{FSM}	I _{RRM} at V _R =V _{RRM}		V _{Fmax} at I _{FM}		T _{rr(max)}	
				25°C	125°C	V	A	@RG1 CKT	
V	A	A	μA	mA	V	A	ns		
SDKF2×75-12B1	1200	2×75	1200	500	10	2.17	75	60	Fig.2
SDKF2×75-12B2	1200	2×75	1200	500	10	2.17	75	60	Fig.2
SDAF2×75-12B1	1200	2×75	1200	500	10	2.17	75	60	Fig.2
SDAF2×75-12B2	1200	2×75	1200	500	10	2.17	75	60	Fig.2
SDEF2×75-12B1	1200	2×75	1200	500	10	2.17	75	60	Fig.2
SDEF2×75-12B2	1200	2×75	1200	500	10	2.17	75	60	Fig.2
SDKF2×100-04B1	400	2×100	2000	500	10	1.30	100	50	Fig.2
SDKF2×100-04B2	400	2×100	2000	500	10	1.30	100	50	Fig.2
SDAF2×100-04B1	400	2×100	2000	500	10	1.30	100	50	Fig.2
SDAF2×100-04B2	400	2×100	2000	500	10	1.30	100	50	Fig.2
SDEF2×100-04B1	400	2×100	2000	500	10	1.30	100	50	Fig.2
SDEF2×100-04B2	400	2×100	2000	500	10	1.30	100	50	Fig.2
SDKF2×100-06B1	600	2×100	2000	500	10	1.35	100	50	Fig.2
SDKF2×100-06B2	600	2×100	2000	500	10	1.35	100	50	Fig.2
SDAF2×100-06B1	600	2×100	2000	500	10	1.35	100	50	Fig.2
SDAF2×100-06B2	600	2×100	2000	500	10	1.35	100	50	Fig.2
SDEF2×100-06B1	600	2×100	2000	500	10	1.35	100	50	Fig.2
SDEF2×100-06B2	600	2×100	2000	500	10	1.35	100	50	Fig.2
SDKF2×100-12B1	1200	2×100	2500	500	15	2.00	100	60	Fig.2
SDKF2×100-12B2	1200	2×100	2500	500	15	2.00	100	60	Fig.2
SDAF2×100-12B1	1200	2×100	2500	500	15	2.00	100	60	Fig.2

SDAF2×100-12B2	1200	2×100	2500	500	15	2.00	100	60	Fig.2
SDEF2×100-12B1	1200	2×100	2500	500	15	2.00	100	60	Fig.2
SDEF2×100-12B2	1200	2×100	2500	500	15	2.00	100	60	Fig.2
SDKF2×150-04B1	400	2×150	3040	600	18	1.55	150	50	Fig.3
SDKF2×150-04B2	400	2×150	3040	600	18	1.55	150	50	Fig.3
SDAF2×150-04B1	400	2×150	3040	600	18	1.55	150	50	Fig.3
SDAF2×150-04B2	400	2×150	3040	600	18	1.55	150	50	Fig.3
SDEF2×150-04B1	400	2×150	3040	600	18	1.55	150	50	Fig.3
SDEF2×150-04B2	400	2×150	3040	600	18	1.55	150	50	Fig.3
SDKF2×150-06B1	600	2×150	3040	600	18	1.55	150	50	Fig.3
SDKF2×150-06B2	600	2×150	3040	600	18	1.55	150	50	Fig.3
SDAF2×150-06B1	600	2×150	3040	600	18	1.55	150	50	Fig.3
SDAF2×150-06B2	600	2×150	3040	600	18	1.55	150	50	Fig.3
SDEF2×150-06B1	600	2×150	3040	600	18	1.55	150	50	Fig.3
SDEF2×150-06B2	600	2×150	3040	600	18	1.55	150	50	Fig.3
SDKF2×200-04B1	400	2×200	3300	600	18	1.55	200	50	Fig.3
SDKF2×200-04B2	400	2×200	3300	600	18	1.55	200	50	Fig.3
SDAF2×200-04B1	400	2×200	3300	600	18	1.55	200	50	Fig.3
SDAF2×200-04B2	400	2×200	3300	600	18	1.55	200	50	Fig.3
SDEF2×200-04B1	400	2×200	3300	600	18	1.55	200	50	Fig.3
SDEF2×200-04B2	400	2×200	3300	600	18	1.55	200	50	Fig.3
SDKF2×200-06B1	600	2×200	3300	600	18	1.55	200	50	Fig.3
SDKF2×200-06B2	600	2×200	3300	600	18	1.55	200	50	Fig.3
SDAF2×200-06B1	600	2×200	3300	600	18	1.55	200	50	Fig.3
SDAF2×200-06B2	600	2×200	3300	600	18	1.55	200	50	Fig.3
SDEF2×200-06B1	600	2×200	3300	600	18	1.55	200	50	Fig.3
SDEF2×200-06B2	600	2×200	3300	600	18	1.55	200	50	Fig.3
SDKF2×300-06B1	600	2×300	4400	800	20	1.55	300	50	Fig.3
SDKF2×300-06B2	600	2×300	4400	800	20	1.55	300	50	Fig.3
SDAF2×300-06B2	600	2×300	4400	800	20	1.55	300	50	Fig.3
SDAF2×300-06B2	600	2×300	4400	800	20	1.55	300	50	Fig.3
SDEF2×300-06B2	600	2×300	4400	800	20	1.55	300	50	Fig.3
SDEF2×300-06B2	600	2×300	4400	800	20	1.55	300	50	Fig.3
SDKF2×350-02B1	200	2×350	5400	1000	30	1.20	350	35	Fig.3
SDKF2×350-02B2	200	2×350	5400	1000	30	1.20	350	35	Fig.3
SDF450-12	1200	453	4800	2000	50	2.00	450	60	Fig.4
SDF500-06	600	514	5280	1500	50	1.60	500	50	Fig.4
SDF550-02	200	550	5580	1500	50	1.25	550	35	Fig.4
SUR150-02NB	200	150	1800	100	20	1.10	150	35	Fig.42
SUR150-04NB	400	150	1700	100	20	1.30	150	50	Fig.42
SUR150-06NB	600	150	1600	100	20	1.50	150	50	Fig.42
SUR250-02NB	200	250	2600	150	20	1.10	250	35	Fig.42
SUR250-04NB	400	250	2500	150	20	1.30	250	50	Fig.42
SUR250-06NB	600	250	2400	150	20	1.50	250	50	Fig.42
SUR300-02NB	200	300	3200	200	20	1.10	300	35	Fig.42
SUR300-04NB	400	300	3100	200	20	1.30	300	50	Fig.42
SUR300-06NB	600	300	3000	200	20	1.50	300	50	Fig.42
SUR400-02NB	200	400	4900	300	20	1.10	400	35	Fig.42
SUR400-04NB	400	400	4800	300	20	1.30	400	50	Fig.42
SUR400-06NB	600	400	4700	300	20	1.50	400	50	Fig.42
SRUD20020CT	200	2x100	1000	50	5	1.10	100	35	Fig.45
SRUD20040CT	400	2x100	900	50	5	1.30	100	50	Fig.45
SRUD20060CT	600	2x100	800	50	5	1.50	100	50	Fig.45
SRUD30020CT	200	2x150	1400	100	6	1.10	150	35	Fig.45

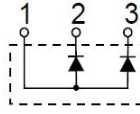
SRUD30040CT	400	2x150	1300	100	6	1.30	150	50	Fig.45
SRUD30060CT	600	2x150	1200	100	6	1.50	150	50	Fig.45
SRUD40020CT	200	2x200	1800	200	8	1.10	200	35	Fig.45
SRUD40040CT	400	2x200	1700	200	8	1.30	200	50	Fig.45
SRUD40060CT	600	2x200	1600	200	8	1.50	200	50	Fig.45
SDKF3X100-04NB	400	3x100	900	50	5	1.30	100	50	Fig.52
SDKF3X100-06NB	600	3x100	800	50	5	1.50	100	50	Fig.52
SDKF3X150-04NB	400	3x150	1200	100	6	1.50	150	50	Fig.52
SDKF3X150-06NB	600	3x150	1200	100	6	1.50	150	50	Fig.52



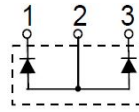
SDKF2X-B1



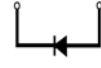
SDKF2X-B2



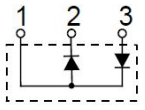
SDAF2X-B1



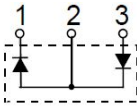
SDAF2X-B2



SDF



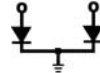
SDEF2X-B1



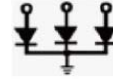
SDEF2X-B2



SUR-NB



SRUD**CT



SDKF3X-NB

整流二极管分立器件 Diode Discretets

Tj = - 40°C ~ +150°C, Tjm = +150°C

型号 TYPE	电气特性 Electrical Characteristics							内部电路 Circuit	封装外形 Package Style
	IFAVM	VR=VRRM	IFRMS	IFSM	VFmax at IFM		RthJC		
	@Tc=100°C			@45°C; 10ms	V	A			
A	V	A	A	V	A	K/W			
SD1001 ~ SD1016	10	100 ~ 1600	16	150	1.25	10	1.29	1	TO -220AC
SD2001 ~ SD2016	20	100 ~ 1600	32	250	1.25	20	1.25	1	TO -220AC
SD2001F ~ SD2016F	20	100 ~ 1600	32	250	1.25	20	1.35	1	ITO -220AC
SD3001 ~ SD3016	30	100 ~ 1600	47	300	1.25	30	1.00	1	TO -220AC
SD4502 ~ SD4516	45	200 ~ 1600	70	475	1.25	45	0.55	1	TO -247AC
SD7004 ~ SD7018	70	400 ~ 1800	110	1500	1.17	70	0.2	1	TO -247AC
70TD40 ~ 70TD180	70	400 ~ 1800	110	1500	1.17	70	0.2	1	TO -247AC
SDD10N01 ~ SDD10N16	2×10	100 ~ 1600	2×16	100	1.25	10	1.25	2	TO - 220AB
SDD25N02 ~ SDD25N16	2×25	200 ~ 1600	2×40	300	1.25	25	0.45	2	TO -247AD
SDD45N02 ~ SDD45N18	2×45	100 ~ 1800	2×70	485	1.25	45	0.2	2	TO -247AD
SDD46N02 ~ SDD46N18	2×45	200 ~ 1800	2×70	490	1.25	46	0.2	2	TO -247P
SDD80N02 ~ SDD80N18	2×80	200 ~ 1800	2×125	900	1.25	80	0.15	2	TO -247P
SD150-01NB ~ SD150-16NB	150	100 ~ 1600	235	1500	1.25	150	1.00	3	Fig.42
SD250-01NB ~ SD250-16NB	250	100 ~ 1600	390	2500	1.25	250	0.80	3	Fig.42
SD300-01NB		100							

~ SD300-16NB	300	~ 1600	470	3000	1.25	300	0.75	3	Fig.42
~ SD400-01NB	400	~ 1600	620	4000	1.25	400	0.70	3	Fig.42



Circuit1




Circuit 2

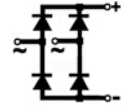


Circuit3

Suffix "NB" means Non-Isolated with Copper Base

单相桥式整流模块
Single Phase Bridge Rectifiers

 E310749



型号 TYPE	电气特性Electrical Characteristics							封装外形 Package Style
	I _{FAV}	V _R =V _{RRM}	I _{FSM}	I _R at V _R =V _{RRM}		V _{Fmax} at I _{FM}		
				25°C	125°C			
				A	V	A	μA	
GBJ602 ~ GBJ616	6	200 ~ 1600	80	5	500	1.00	3.0	GBJ
GBJ802 ~ GBJ816	8	200 ~ 1600	100	5	500	1.00	4.0	GBJ
GBJ1002 ~ GBJ1016	10	200 ~ 1600	120	10	500	1.05	5.0	GBJ
GBJ1502 ~ GBJ1516	15	200 ~ 1600	180	10	500	1.05	7.5	GBJ
GBJ2002 ~ GBJ2016	20	200 ~ 1600	240	10	600	1.05	10	GBJ
GBJ2502 ~ GBJ2516	25	200 ~ 1600	300	10	800	1.05	12.5	GBJ
GBJ2502AV ~ GBJ2516AV	25	200 ~ 1600	300	10	800	1.05	12.5	GBJ
GBJ3502 ~ GBJ3516	35	200 ~ 1600	420	15	1000	1.10	17.5	GBJ
GBJ3502AV ~ GBJ3516AV	35	200 ~ 1600	420	15	1000	1.10	17.5	GBJ
S1PDB1502 ~ S1PDB1518	15	200 ~ 1800	300	5	500	1.10	7.5	Fig.57
S1PDB2502 ~ S1PDB2518	25	200 ~ 1600	350	10	800	1.10	12.5	Fig.57
S1PDB2502AV ~ S1PDB2518AV	25	200 ~ 1600	350	10	800	1.10	12.5	Fig.57
S1PDB3502 ~ S1PDB3518	35	200 ~ 1800	400	20	1000	1.10	17.5	Fig.57
S1PDB3502AV ~ S1PDB3518AV	35	200 ~ 1800	400	20	1000	1.10	17.5	Fig.57

S1PDB4002 ~ S1PDB4018	40	200 ~ 1800	500	30	1000	1.10	20	Fig.57
S1PDB5002 ~ S1PDB5018	50	200 ~ 1800	600	40	1000	1.10	25	Fig.57
S1PDB40N02 ~ S1PDB40N18	40	200 ~ 1800	500	30	1000	1.10	20	Fig.27
S1PDB50N02 ~ S1PDB50N18	50	200 ~ 1800	600	40	1000	1.10	25	Fig.27
S1PDB40N08S ~ S1PDB40N18S	40	800 ~ 1800	450	200	4	1.25	60	SOT-227
S1PDB52N08 ~ S1PDB52N18	52	800 ~ 1800	520	300	5	1.25	78	Fig.7
S1PDB60N08 ~ S1PDB60N18	60	800 ~ 1800	600	500	8	1.25	90	Fig.7
S1PDB61N08AV ~ S1PDB61N18AV	60	800 ~ 1800	1000	300	5	1.25	90	Fig.59
S1PDB72N08 ~ S1PDB72N18	72	800 ~ 1800	720	800	10	1.25	110	Fig.7
S1PDB100N08 ~ S1PDB100N18	100	800 ~ 1800	1000	800	11	1.25	150	Fig.8
S1PDB102N08 ~ S1PDB102N18	100	800 ~ 1800	1500	300	5	1.25	150	Fig.60
S1PDB122N08 ~ S1PDB122N18	122	800 ~ 1800	1200	800	12	1.25	180	Fig.8
S1PDB174N08 ~ S1PDB174N18	174	800 ~ 1800	1700	1000	15	1.25	260	Fig.8

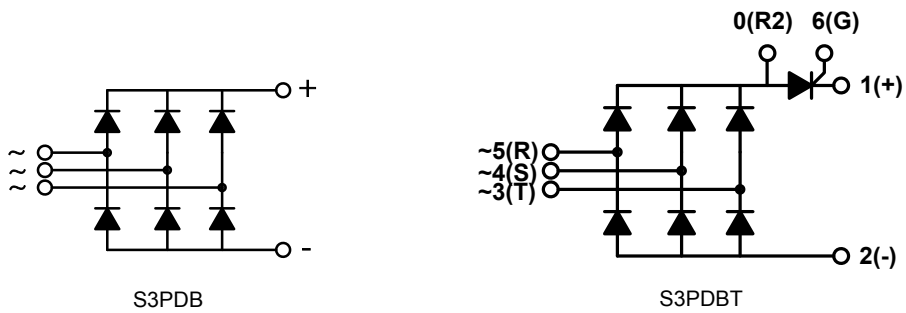
三相桥式整流模块
Three Phase Rectifier Module

 E310749


型号 TYPE	电气特性Electrical Characteristics								封装外形 Package Style
	I_{DAV}	V_{RRM}	I_{FSM}	V_{TO}	r_T	V_{Fmax} at I_{FM}		R_{thJC}	
	@ $T_c=100^\circ C$		@ $45^\circ C; 10ms$			per chip		per chip	
	A	V	A	A	m Ω	V	A	K/W	
S3PDB12N08P ~ S3PDB12N16P	12	800 ~ 1600	100	0.8	10	1.20	12.0	7.00	Fig.46
S3PDB18N08P ~ S3PDB18N16P	18	800 ~ 1600	150	0.8	8.5	1.20	18.0	6.90	Fig.46
S3PDB24N08P ~ S3PDB24N16P	24	800 ~ 1600	200	0.8	6.1	1.20	24.0	5.80	Fig.46
S3PDB24N08PAV ~ S3PDB24N16PAV	24	800 ~ 1600	200	0.8	6.1	1.20	24.0	5.80	Fig.46
S3PDB25N08 ~ S3PDB25N18	25	800 ~ 1800	100	0.8	40	1.20	25.0	2.30	Fig.10
S3PDB30N08 ~ S3PDB30N18	30	800 ~ 1800	270	0.8	40	1.20	30.0	0.90	Fig.24
S3PDB3508 ~ S3PDB3518	35 @ $55^\circ C$	800 ~ 1800	250	0.8	40	1.20	35.0	3.80	Fig.55
S3PDB35N08 ~ S3PDB35N18	35	800 ~ 1800	350	0.8	7.5	1.20	35.0	3.40	Fig.28
S3PDB36N08P ~ S3PDB36N16P	36	800 ~ 1600	300	0.8	5.2	1.20	36.0	4.50	Fig.46
S3PDB36N08PAV ~ S3PDB36N16PAV	36	800 ~ 1600	300	0.8	5.2	1.20	36.0	4.50	Fig.46
S3PDB4008 ~ S3PDB4018	40 @ $55^\circ C$	800 ~ 1800	400	0.8	8	1.20	40.0	8.50	Fig.55
S3PDB40N08 ~ S3PDB40N18	40	800 ~ 1800	400	0.8	8	1.20	40.0	3.35	Fig.28
S3PDB42N08P ~ S3PDB42N16P	42	800 ~ 1600	400	0.8	4.8	1.20	42.0	4.30	Fig.46
S3PDB42N08PAV ~ S3PDB42N16PAV	42	800 ~ 1600	400	0.8	4.8	1.20	42.0	4.30	Fig.46
S3PDB5008 ~ S3PDB5018	50 @ $55^\circ C$	800 ~ 1800	500	0.8	40	1.20	50.0	8.00	Fig.55

S3PDB50N12 ~ S3PDB50N18	50	1200 ~ 1800	460	0.8	8	1.20	50.0	2.85	Fig.28
S3PDB51N08 ~ S3PDB51N18	50	800 ~ 1800	460	0.8	8	1.20	50.0	0.24	Fig.9
S3PDB60N08 ~ S3PDB60N18	60	800 ~ 1800	550	0.8	8	1.20	60.0	0.24	Fig.9
S3PDB61N08 ~ S3PDB61N18	61	800 ~ 1800	850	0.8	5	1.25	60.0	0.27	Fig.49
S3PDB62N08 ~ S3PDB62N18	60	800 ~ 1800	550	0.8	5	1.25	60.0	0.31	Fig.71
B6U61A08 ~ B6U61A18	60	800 ~ 1800	550	0.8	5	1.25	60.0	0.31	Fig.71
S3PDB70N08 ~ S3PDB70N18	70	800 ~ 1800	590	0.8	6	1.20	70.0	1.30	Fig.24
S3PDB80N08 ~ S3PDB80N18	80	800 ~ 1800	750	0.8	5	1.20	80.0	1.10	Fig.9
S3PDB81N08 ~ S3PDB81N18	81	800 ~ 1800	750	0.8	8	1.20	80.0	1.10	Fig.49
S3PDB85N08 ~ S3PDB85N18	85	800 ~ 1800	750	0.8	6	1.20	85.0	1.30	Fig.24
S3PDB86N08 ~ S3PDB86N18	86	800 ~ 1800	530	0.8	7.5	1.20	86.0	1.20	Fig.10
S3PDB91N08 ~ S3PDB91N18	91	800 ~ 1800	650	0.8	5	1.20	90.0	0.92	Fig.30
S3PDB99N08 ~ S3PDB99N18	100	800 ~ 1800	920	0.8	4	1.20	100.0	0.90	Fig.9
S3PDB100N08 ~ S3PDB100N18	100	800 ~ 1800	920	0.8	4	1.20	100.0	0.90	Fig.11
S3PDB101N08 ~ S3PDB101N18	100	800 ~ 1800	920	0.8	4	1.20	100.0	1.00	Fig.49
S3PDB104N08 ~ S3PDB104N18	100	800 ~ 1800	920	0.3	5	1.25	100.0	0.14	Fig.50
B6U104A08 ~ B6U104A18	100	800 ~ 1800	1250	0.3	5	1.25	100.0	0.14	Fig.50
S3PDB108N08E2 ~ S3PDB108N18E2	117	800 ~ 1800	900	0.5	3	1.35	117.0	0.14	Fig.72
S3PDB130N08 ~ S3PDB130N18	130	800 ~ 1800	1200	0.8	4	1.20	130.0	0.80	Fig.11

S3PDB150N08 ~ S3PDB150N18	150	800 ~ 1800	1500	0.3	8	1.60	150.0	0.14	Fig.73
S3PDB160N08 ~ S3PDB160N18	160	800 ~ 1800	1500	0.8	4	1.20	160.0	0.70	Fig.11
S3PDB161N08 ~ S3PDB161N18	161	800 ~ 1800	1500	0.8	4	1.20	160.0	0.71	Fig.30
S3PDB180N08 ~ S3PDB180N18	180	800 ~ 1800	1800	0.8	3	1.20	180.0	0.65	Fig.11
S3PDB200N08 ~ S3PDB200N18	200	800 ~ 1800	2240	0.8	2.6	1.20	200.0	0.45	Fig.11
S3PDB250N08 ~ S3PDB250N18	250	800 ~ 1800	2800	0.8	2.2	1.20	250.0	0.38	Fig.11
S3PDBT75N08 ~ S3PDBT75N18	75	800 ~ 1800	910	0.8	10	1.20	75.0	0.4	Fig.74
S3PDBT100N08 ~ S3PDBT100N18	100	800 ~ 1800	1186	0.8	10	1.20	100.0	0.36	Fig.74
S3PDBT150N08 ~ S3PDBT150N18	150	800 ~ 1800	1460	0.8	10	1.20	150.0	0.18	Fig.75
S3PDBT200N08 ~ S3PDBT200N18	200	800 ~ 1800	1850	0.8	15	1.15	200.0	0.18	Fig.75

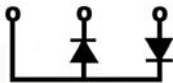


二极管-二极管整流模块
Diode-Diode Modules

 E310749

型号 TYPE	电气特性Electrical Characteristics							封装外形 Package Style
	I_{FAVM}	$V_R=V_{RRM}$	I_{FRMS}	I_{FSM}	V_{Fmax} at I_{FM}		R_{thJC}	
	@ $T_c=100^\circ C$			@ $45^\circ C; 10ms$	V	A		
A	V	A	A	V	A	K/W		
SDD36N08 ~ SDD36N18	36	800 ~ 1800	56	650	1.38	80	0.50	Fig.33
SDD36N08B ~ SDD36N18B	36	800 ~ 1800	56	650	1.38	80	0.60	Fig.2
SDD60N08 ~ SDD60N18	60	800 ~ 1800	94	1150	1.60	200	0.295	Fig.33
SDD60N08B ~ SDD60N18B	60	800 ~ 1800	94	1150	1.60	200	0.395	Fig.2
SDD70N08 ~ SDD70N18	70	800 ~ 1800	110	1400	1.48	200	0.255	Fig.33
SDD70N08B ~ SDD70N18B	70	800 ~ 1800	110	1400	1.48	200	0.355	Fig.2
SDD100N08 ~ SDD100N18	100	800 ~ 1800	157	1700	1.60	300	0.175	Fig.33
SDD100N08B ~ SDD100N18B	100	800 ~ 1800	157	1700	1.60	300	0.275	Fig.2
SDD120N08 ~ SDD120N18	120	800 ~ 1800	188	2800	1.43	300	0.13	Fig.33
SDD120N08B ~ SDD120N18B	120	800 ~ 1800	188	2800	1.43	300	0.23	Fig.2
SDD165N08 ~ SDD165N18	165	800 ~ 1800	260	4700	1.30	300	0.105	Fig.34
SDD165N08B ~ SDD165N18B	165	800 ~ 1800	260	4700	1.30	300	0.205	Fig.3
SDD190N08 ~ SDD190N18	190	800 ~ 1800	300	6600	1.15	300	0.095	Fig.34
SDD190N08B ~ SDD190N18B	190	800 ~ 1800	300	6600	1.15	300	0.195	Fig.3

SDD250N08 ~ SDD250N18	250	800 ~ 1800	400	11000	1.25	750	0.07	Fig.6
SDD253N08BT ~ SDD253N18BT	253	800 ~ 1800	400	11000	1.25	750	0.27	Fig.40
SDD320N08 ~ SDD320N18	320	800 ~ 1800	500	11500	1.20	990	0.065	Fig.6
SDD320N08BT ~ SDD320N18BT	320	800 ~ 1800	500	11500	1.20	990	0.065	Fig.40
SDD600N08BT ~ SDD600N18BT	600	800 ~ 1800	942	19000	1.45	1800	0.045	Fig.17
SDD800N08PT ~ SDD800N18PT	800	800 ~ 1800	1256	25000	1.45	2400	0.015	Fig.29



SDD



SDA



SDK

Suffix"B" means with Copper Baseplate

Suffix"BT" means Pressure Contact Technology with BusBar Terminal

Suffix"PT" means Pressure Contact Technology with Screw Terminal

绝缘式双向可控硅 Isolated Triacs



型号 TYPE	电气特性 Electrical Characteristics											封装外形 Package Style
	ITRMS	VDRM	IGT	VGT	IDRM	VTM	IH	I ² T	ITSM	dv/dt	RthJC	
		/VRRM			/IRRM						°C/W	
A	V	mA	V	mA	V	mA	A ² S	A	V/μs	°C/W		
BTA04-200 ~ BTA04-1000	4	200 ~ 1000	5~10	1.3	0.01	1.55	15	3	25	50	3.7	TO-220AB
BTA06-200 ~ BTA06-1000	6	200 ~ 1000	6~25	1.3	0.05	1.55	15	7.8	60	50	2.2	TO-220AB
BTA08-200 ~ BTA08-1000	8	200 ~ 800	6~25	1.3	0.10	1.55	15	12	80	50	1.8	TO-220AB
BTA12-200 ~ BTA12-1000	12	200 ~ 1000	6~35	1.3	0.10	1.55	35	55	100	500	1.5	TO-220AB
BTA16-200 ~ BTA16-1000	16	200 ~ 1000	10~35	1.3	0.10	1.55	35	144	160	500	1.2	TO-220AB
BTA24-200 ~ BTA24-1000	24	200 ~ 1000	10~35	1.3	0.10	1.55	50	340	250	500	0.8	TO-220AB
BTA26-200 ~ BTA26-1000	26	200 ~ 1000	10~50	1.3	0.10	1.55	50	340	250	500	0.8	TO-218/TO-3P
BTA35-200 ~ BTA35-1600	35	200 ~ 1600	50	1.3	0.10	1.55	120	664	335	500	0.77	TO-218/TO-3P
BTA41-200 ~ BTA41-1600	41	200 ~ 1600	50	1.3	0.20	1.55	180	880	400	500	0.6	TO-218/TO-3P
SBTA25G04B ~ SBTA25G12B	25	400 ~ 1200	50	1.3	0.10	1.55	50	340	250	500	1.6	Fig.48
SBTA25G04 ~ SBTA25G12	25	400 ~ 1200	50	1.3	0.10	1.55	50	340	250	500	1.2	Fig.44
SBTA35G04B ~ SBTA35G12B	35	400 ~ 1200	50	1.3	0.10	1.55	120	664	335	500	1.5	Fig.48
SBTA35G04 ~ SBTA35G12	35	400 ~ 1200	50	1.3	0.10	1.55	120	664	335	500	1	Fig.44
SBTA41G04B ~ SBTA41G12B	41	400 ~ 1200	50	1.3	0.20	1.55	180	880	400	500	1.3	Fig.48
SBTA70G04B ~ SBTA70G12B	70	400 ~ 1200	50	1.3	0.2	1.551	100	6000	750	500	1.2	Fig.22
SBTA71G04S ~ SBTA71G12S	70	400 ~ 1200	50	1.3	0.2	1.55	100	6000	750	5000	1.2	SOT-227
SBTA72G04 ~ SBTA72G12	70	400 ~ 1200	50	1.3	0.2	1.55	100	6000	750	5000	0.9	Fig.33

Suffix " B " means with Copper Baseplate

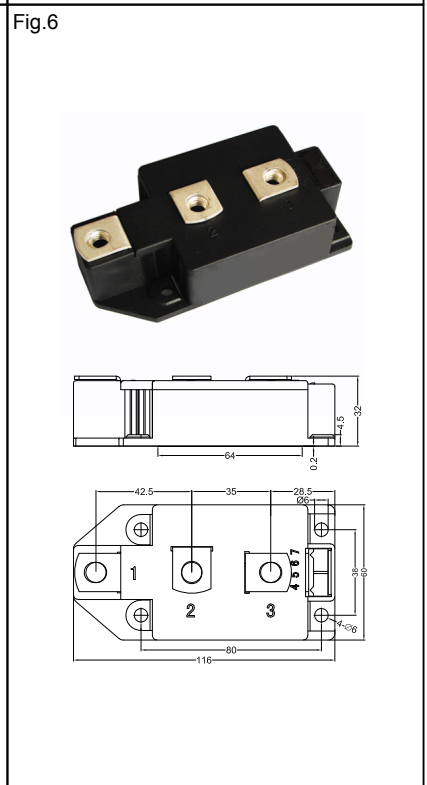
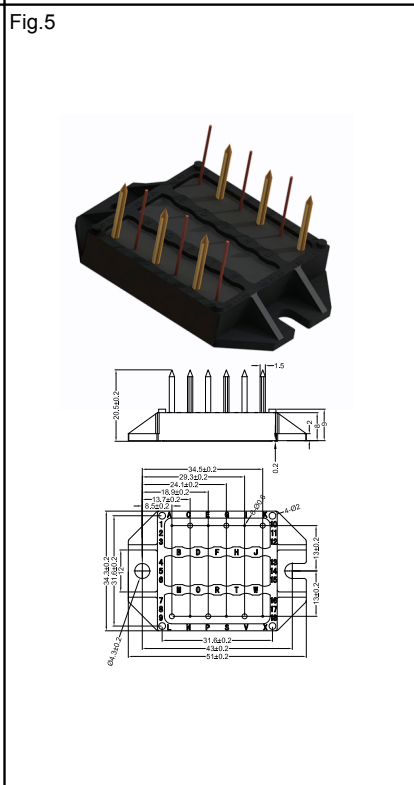
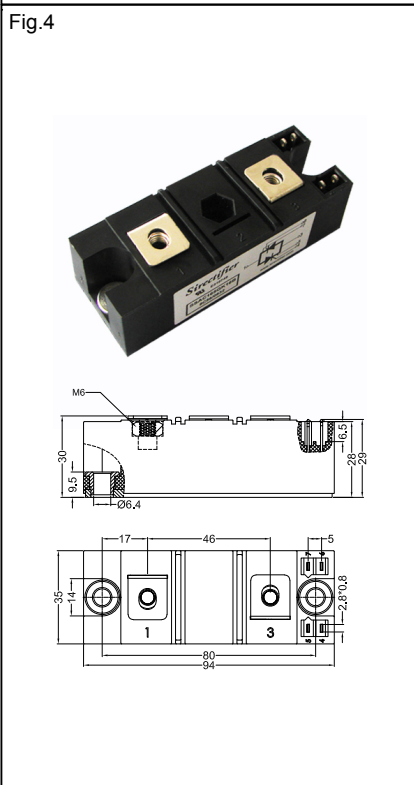
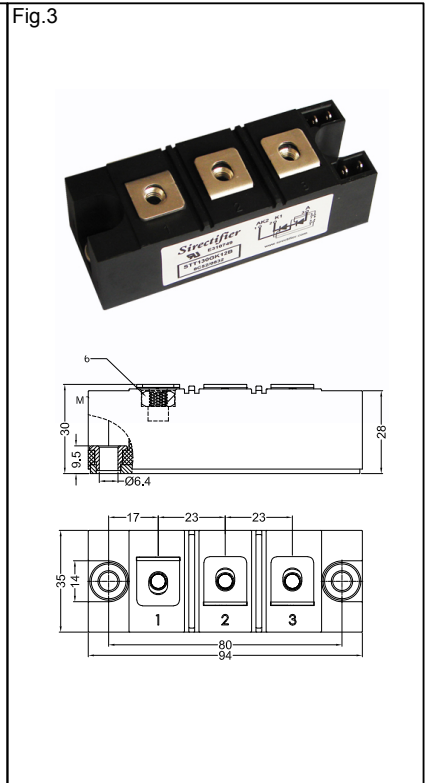
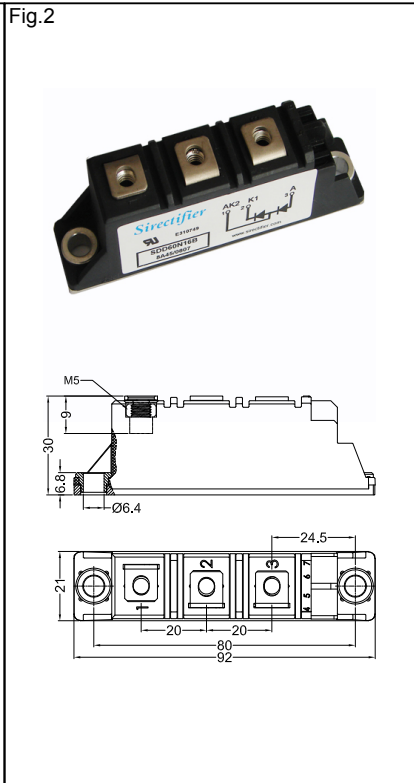
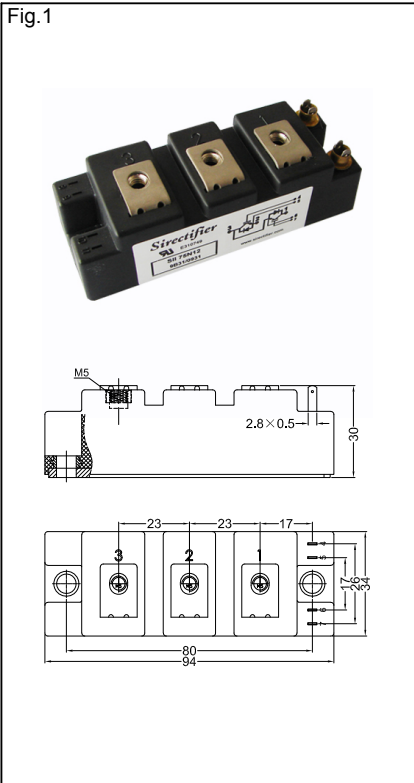
Electrical Isolation from Leads to Mounting Tab \geq 2500VAC (RMS) 1min

非绝缘式双向可控硅
Non-Isolated Triacs

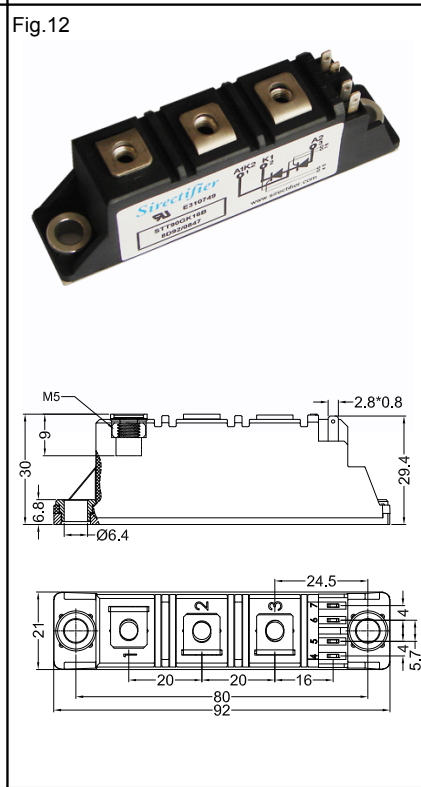
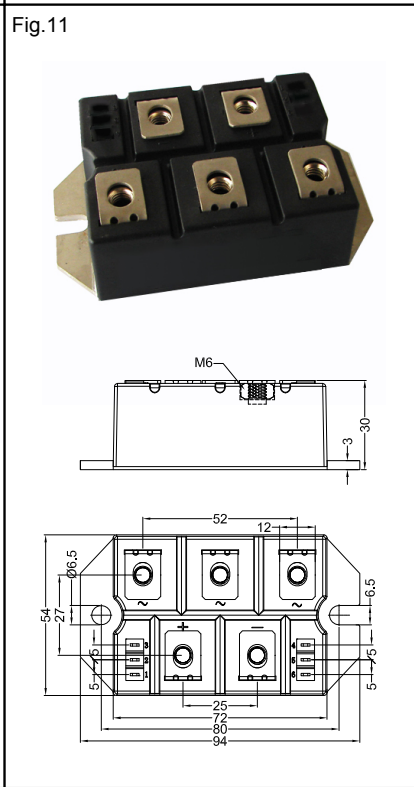
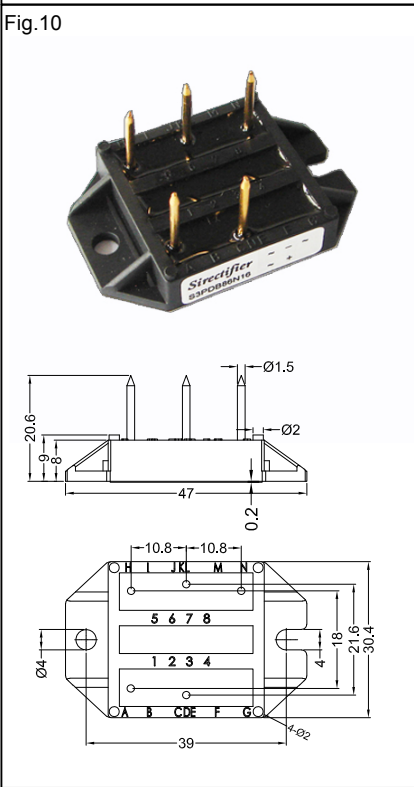
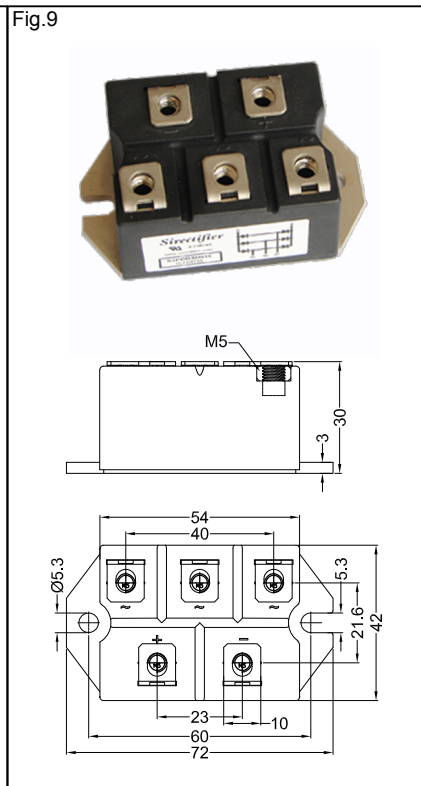
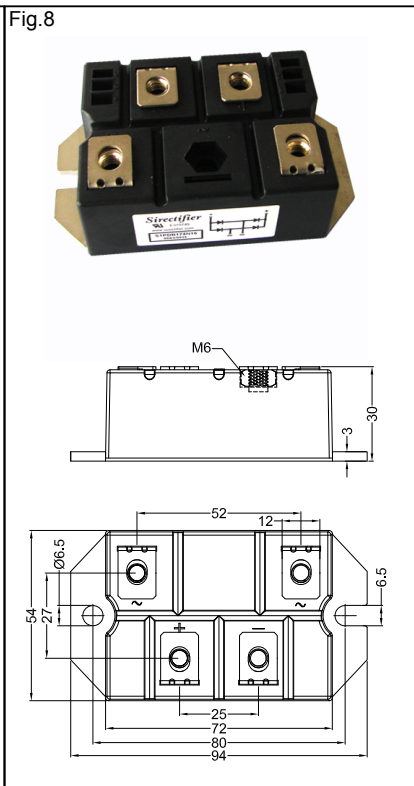
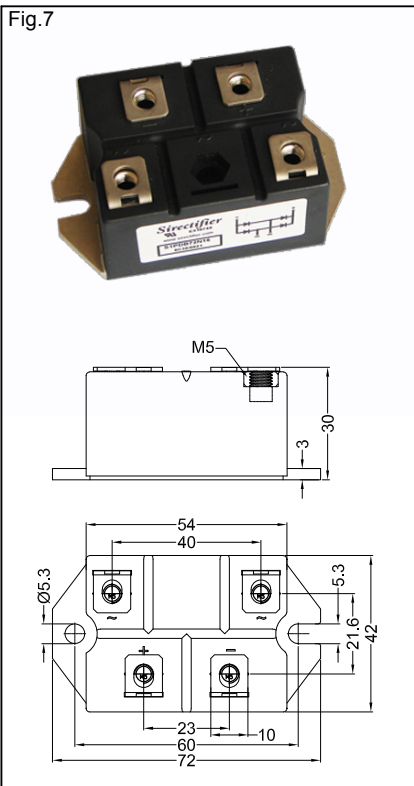


型号 TYPE	电气特性Electrical Characteristics											封装外形 Package Style
	ITRMS	VDRM /VRRM	IGT	VGt	IDRM /IRRM	VTM	IH	I ² T	ITSM	dv/dt	RthJC	
	A	V	mA	V	mA	V	mA	A ² S	A	V/μs	°C/W	
BTB06-200 ~ BTB06-1000	6	200 ~ 1000	50	1.3	0.05	1.55	50	21	60	400	1.80	TO-220AB
BTB08-200 ~ BTB08-1000	8	200 ~ 1000	50	1.3	0.05	1.55	50	36	80	400	1.60	TO-220AB
BTB12-200 ~ BTB12-1000	10	200 ~ 1000	50	1.3	0.10	1.55	50	55	100	500	1.50	TO-220AB
BTB16-200 ~ BTB16-1200	15	200 ~ 1200	50	1.3	0.10	1.55	50	144	160	500	1.20	TO-220AB
BTB24-200 ~ BTB24-1200	24	200 ~ 1200	50	1.3	0.10	1.55	75	340	250	500	0.80	TO-220AB
BTB26-200 ~ BTB26-1200	26	200 ~ 1200	50	1.3	0.10	1.55	75	340	250	500	0.80	TO-247AD
BTB35-200 ~ BTB35-1600	35	200 ~ 1600	100	1.3	0.10	1.55	120	664	335	500	0.70	TO-247AD
BTB40-200 ~ BTB40-1600	40	200 ~ 1600	100	1.3	0.20	1.55	180	880	400	500	0.77	TO-220AB
BTB41-200 ~ BTB41-1600	41	200 ~ 1600	100	1.3	0.20	1.55	180	880	400	500	0.60	TO-247AD
BTB50-200 ~ BTB50-1600	50	200 ~ 1600	100	1.3	0.20	1.55	180	1100	500	500	0.55	TO-247AD

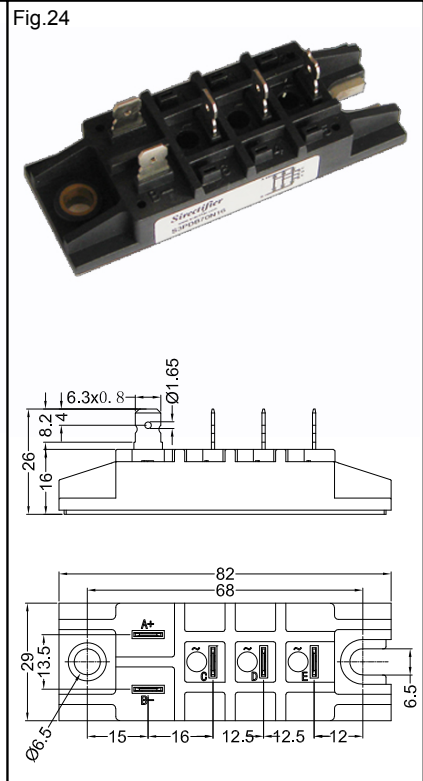
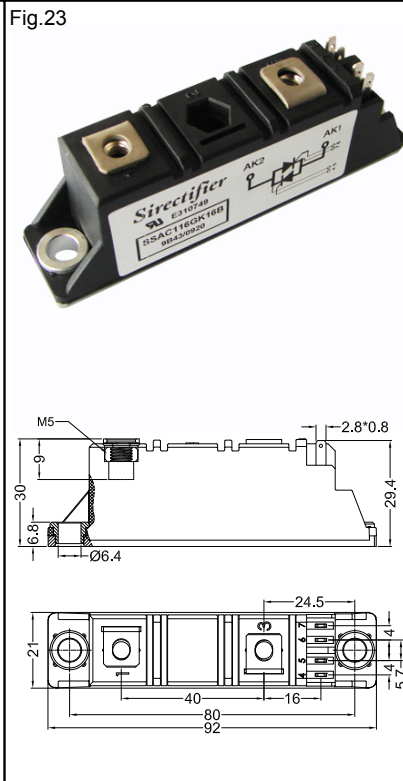
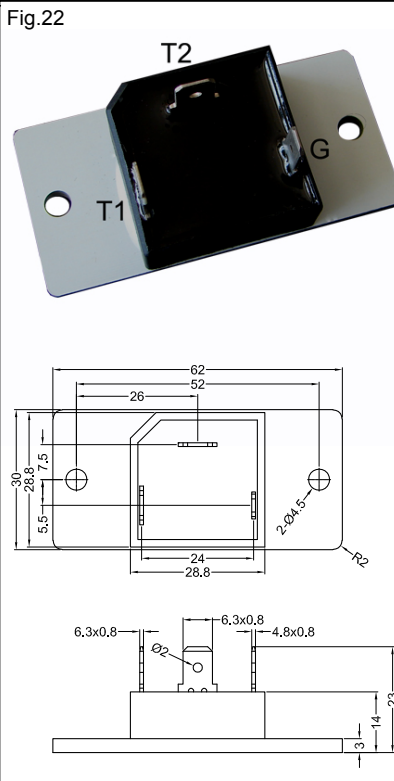
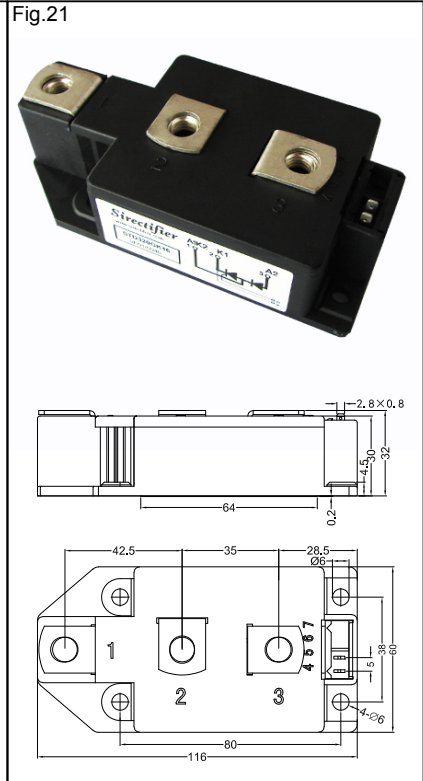
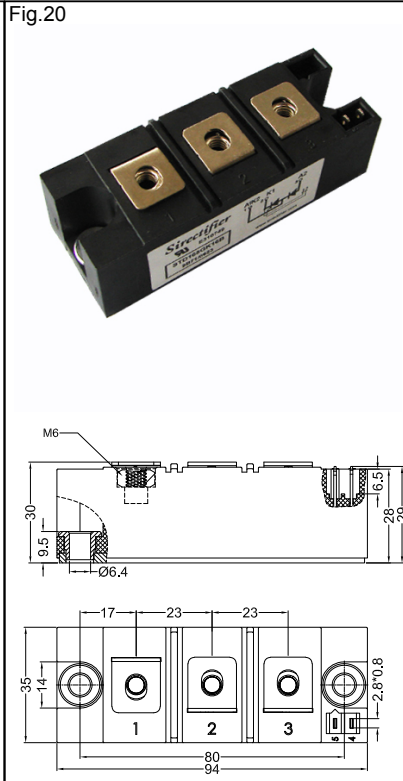
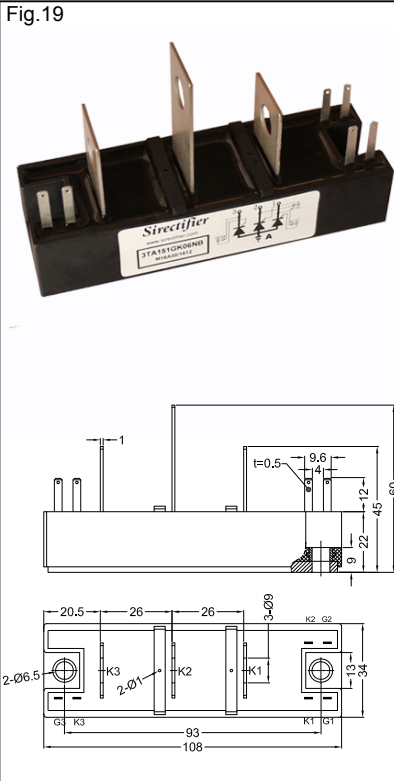
Outline Drawings



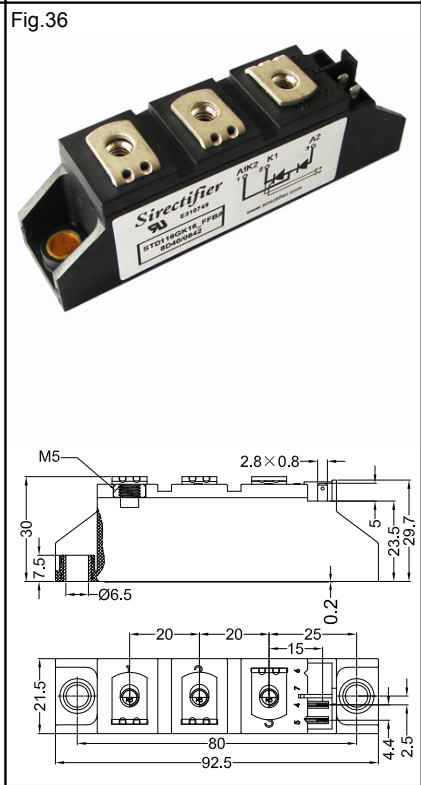
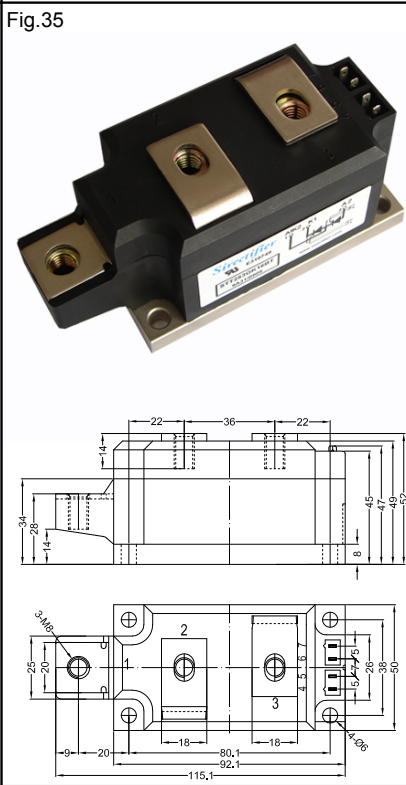
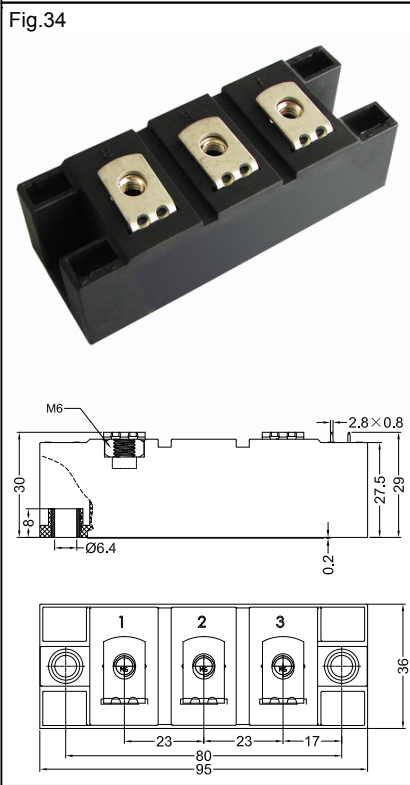
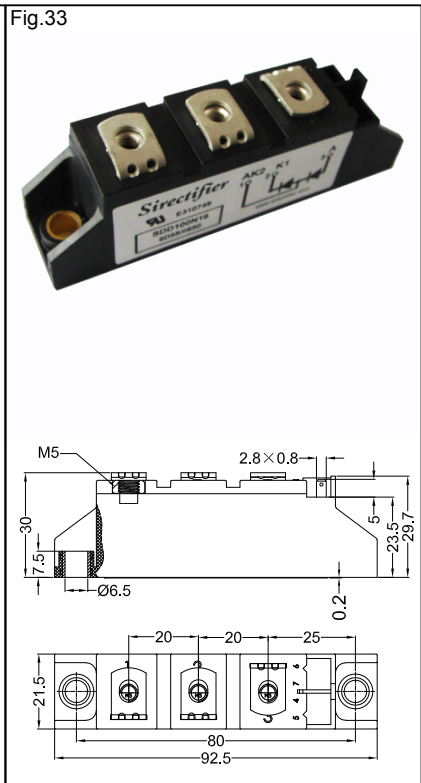
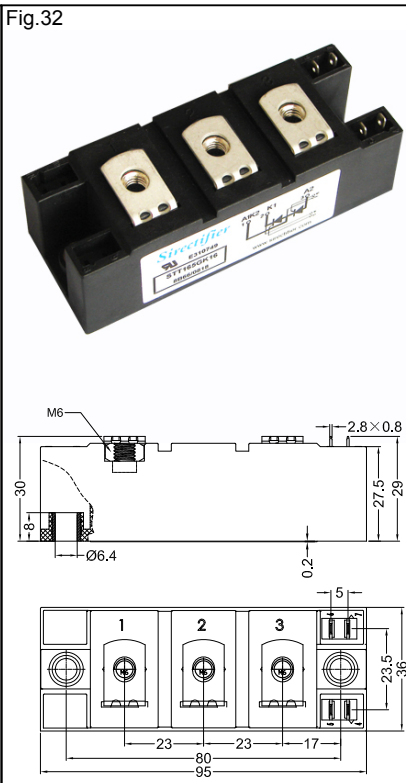
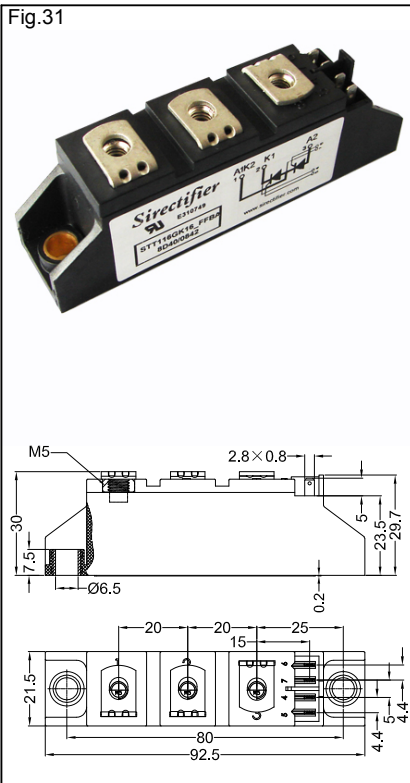
Outline Drawings



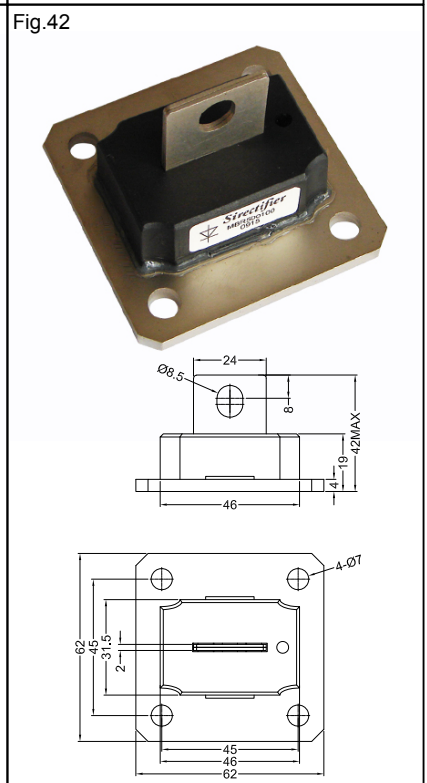
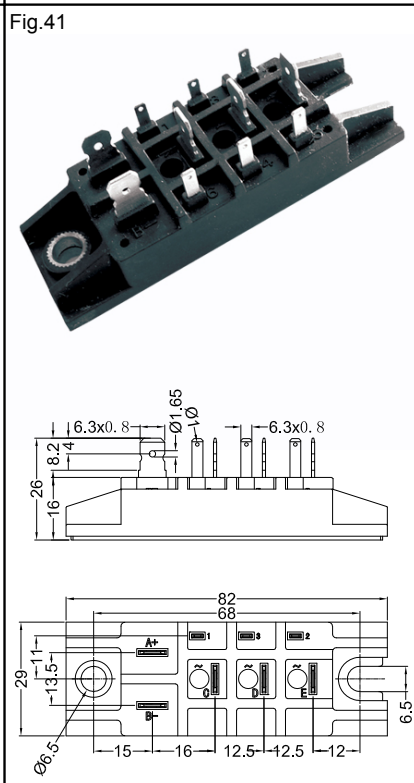
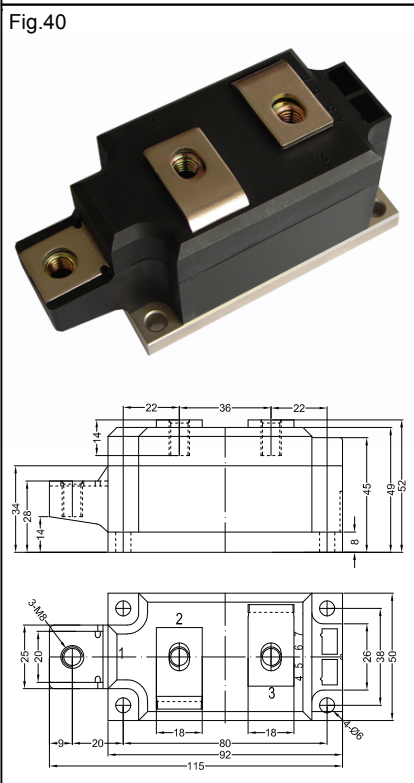
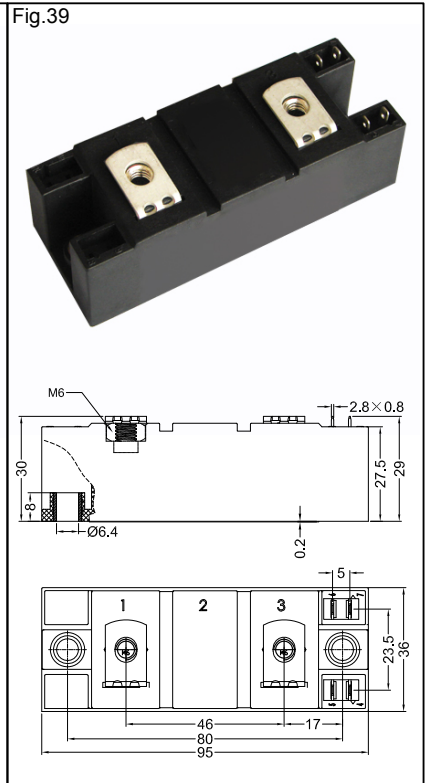
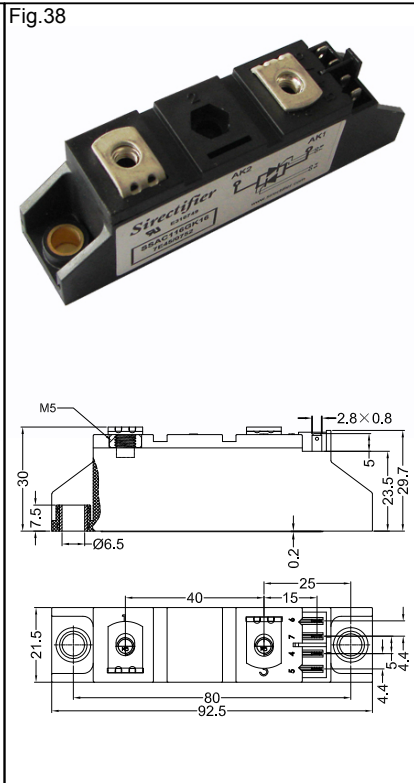
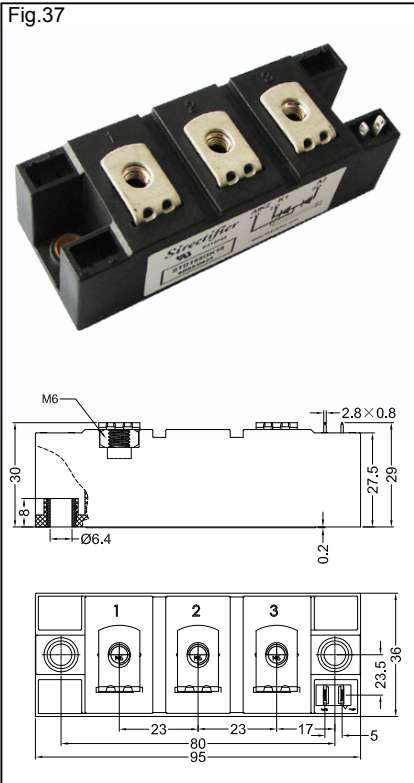
Outline Drawings



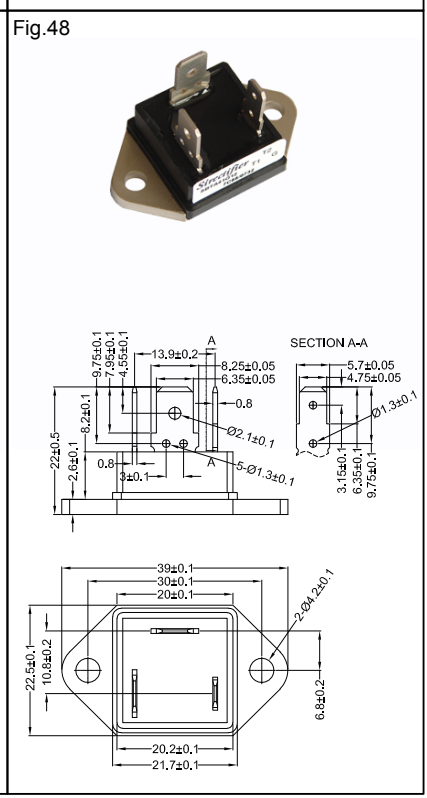
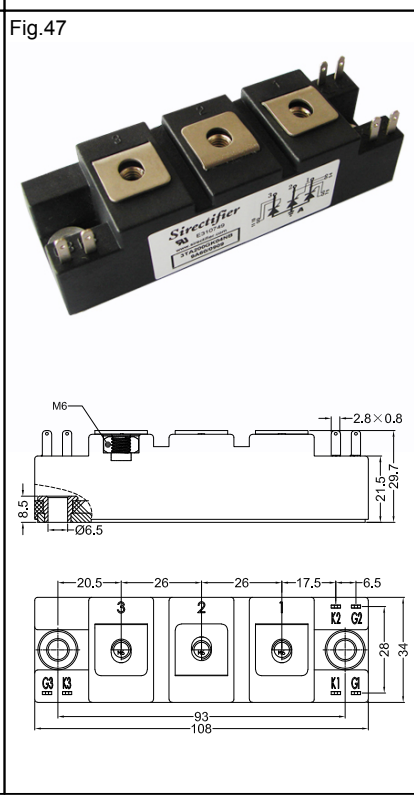
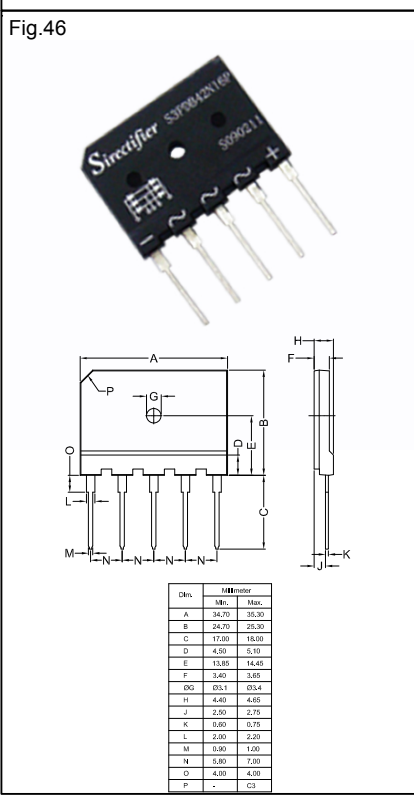
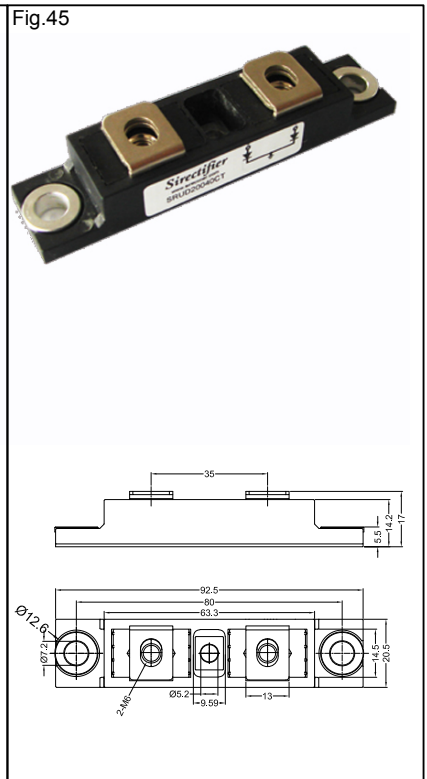
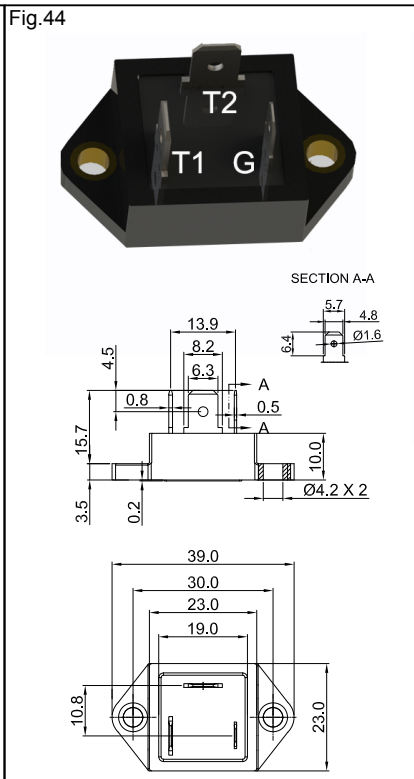
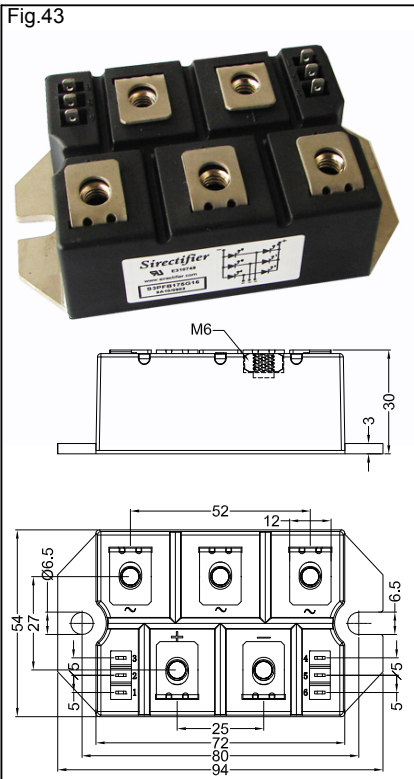
Outline Drawings



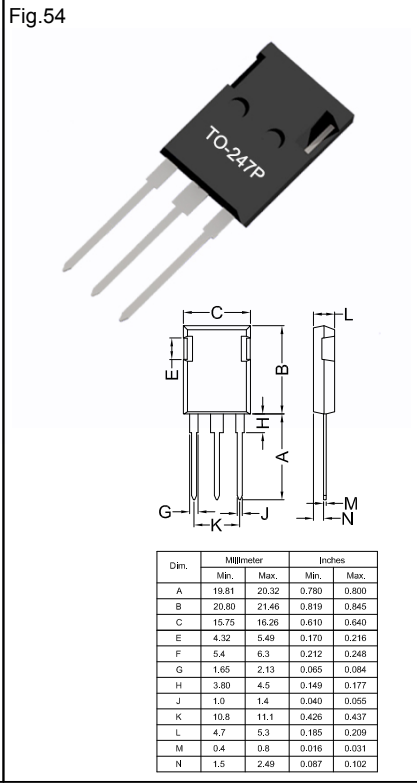
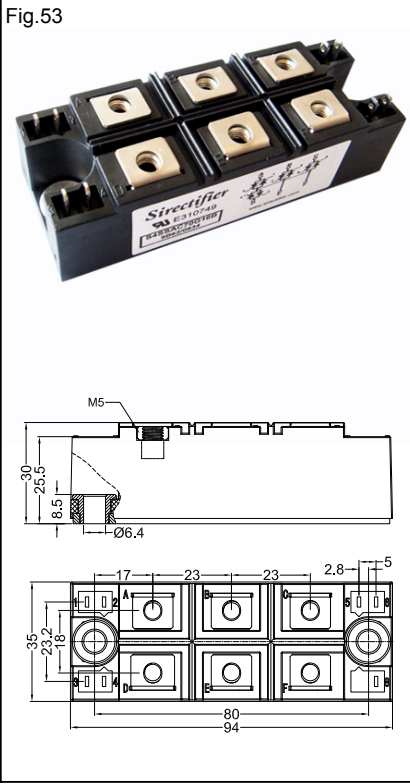
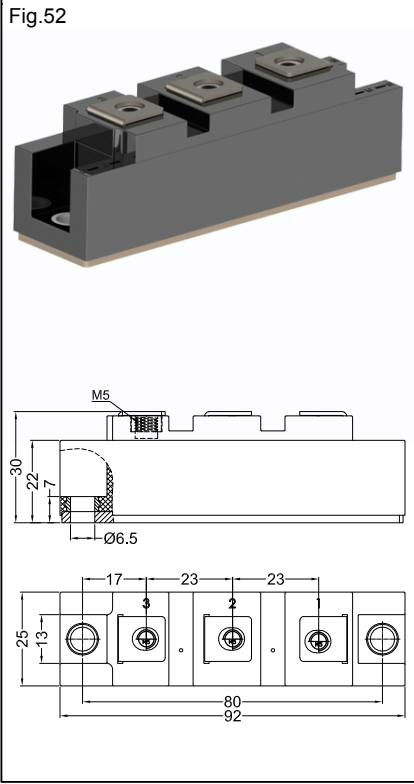
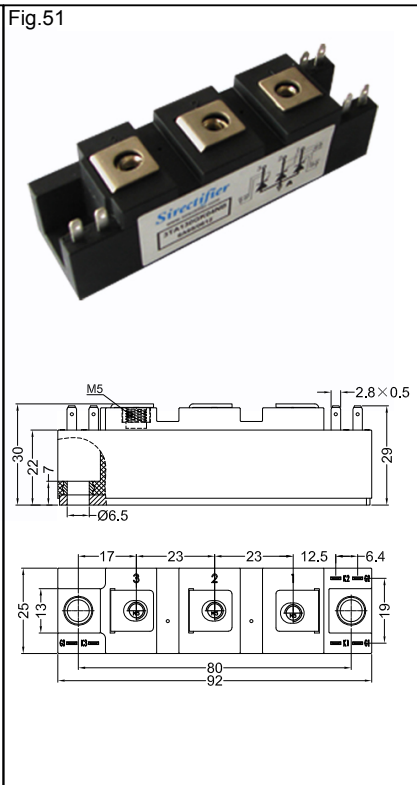
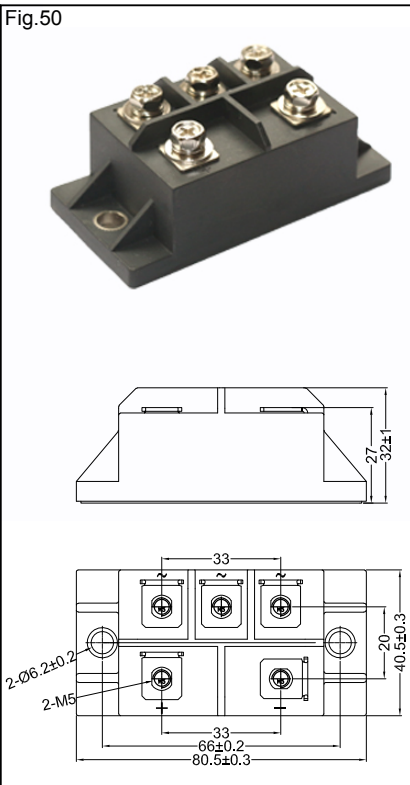
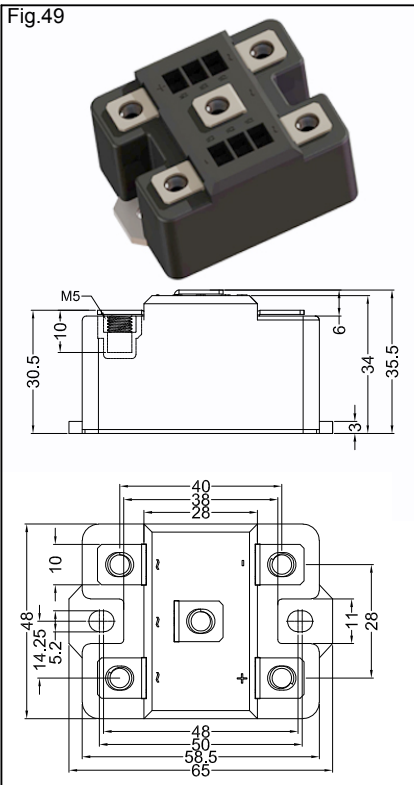
Outline Drawings



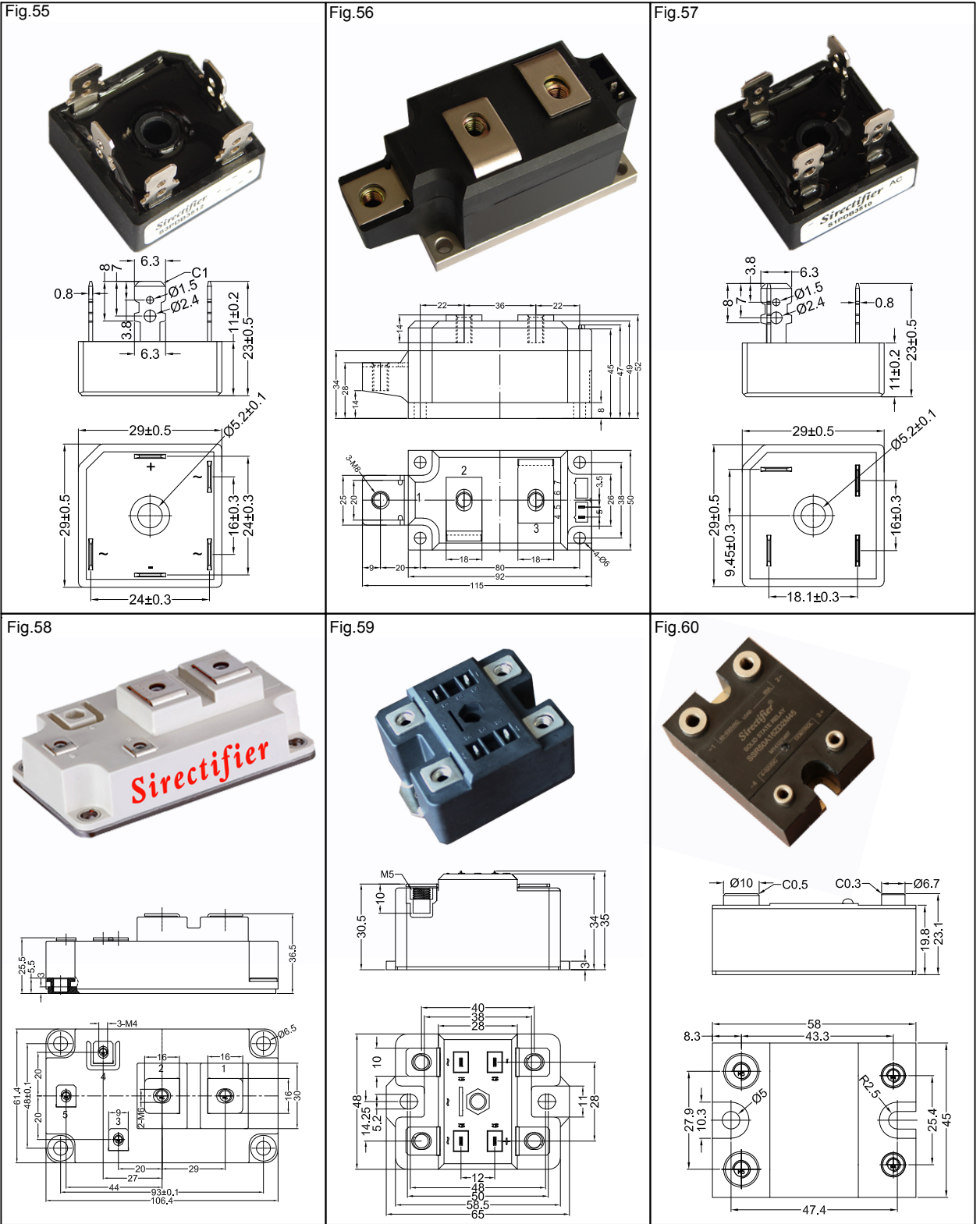
Outline Drawings



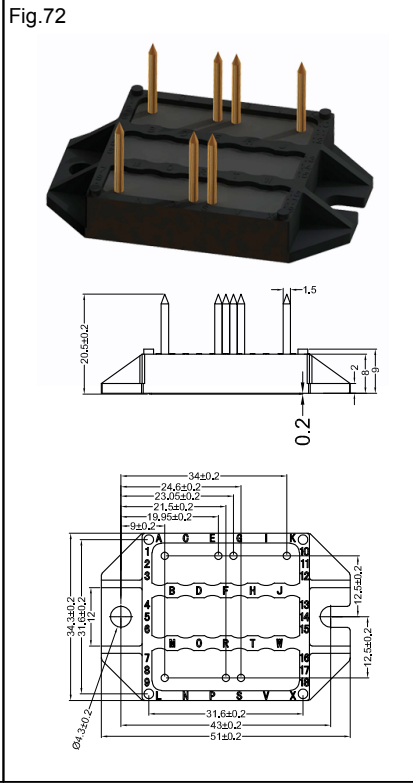
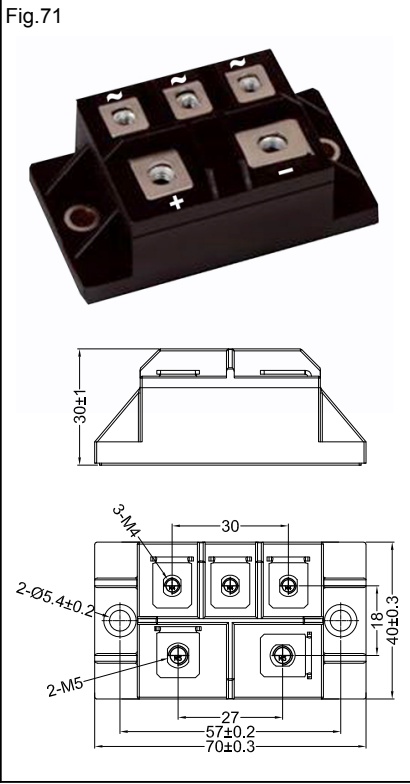
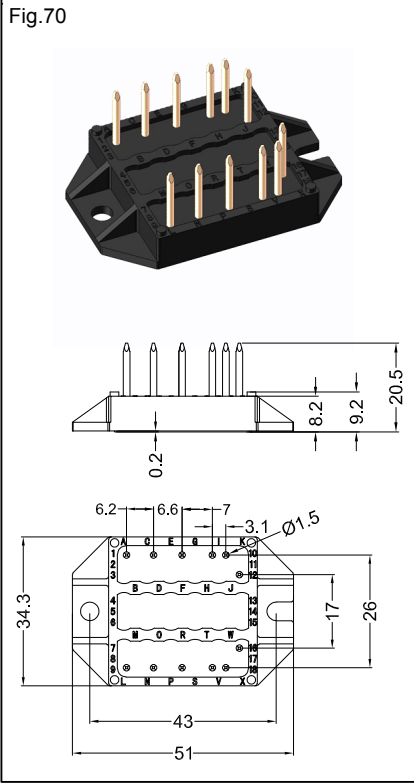
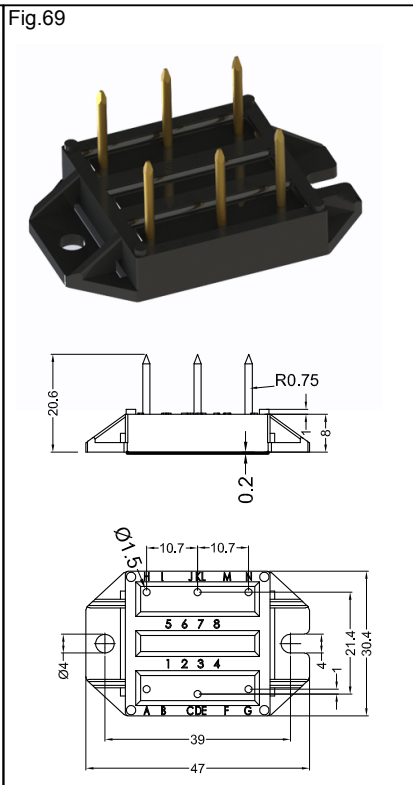
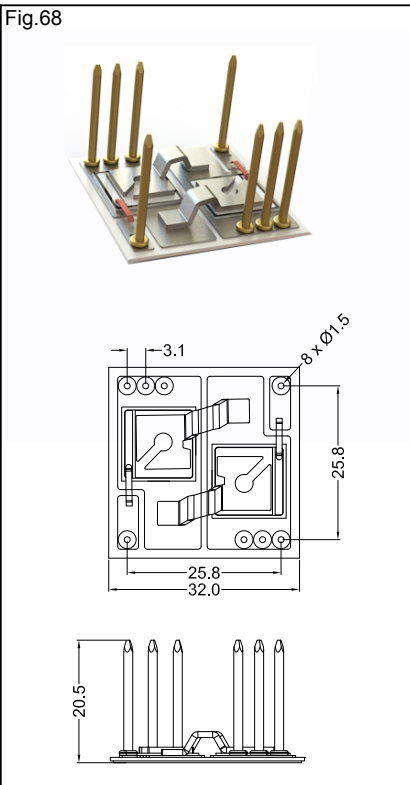
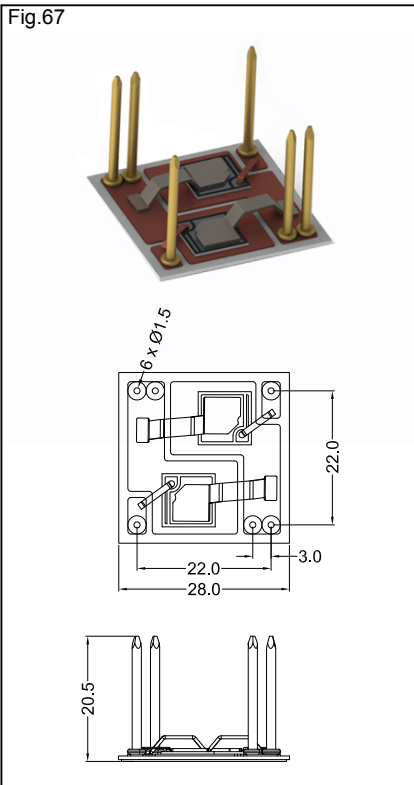
Outline Drawings



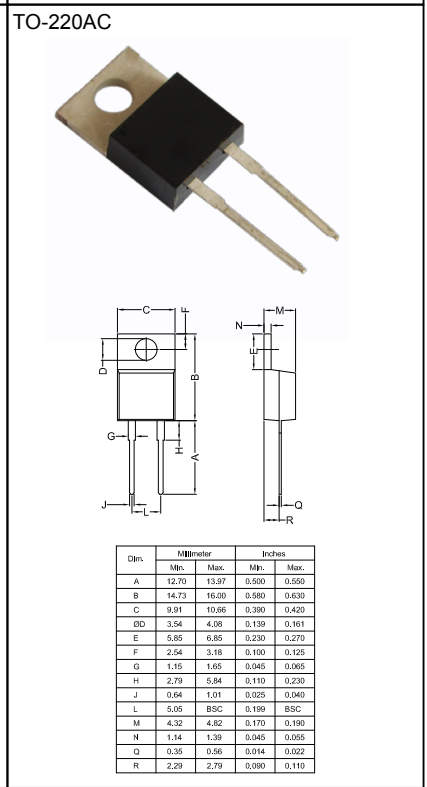
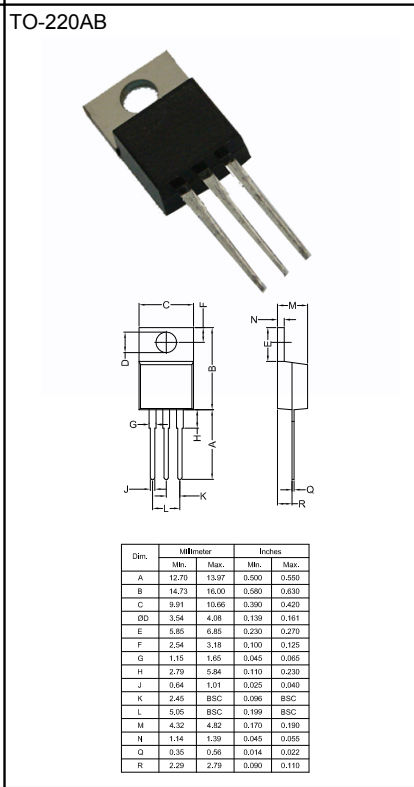
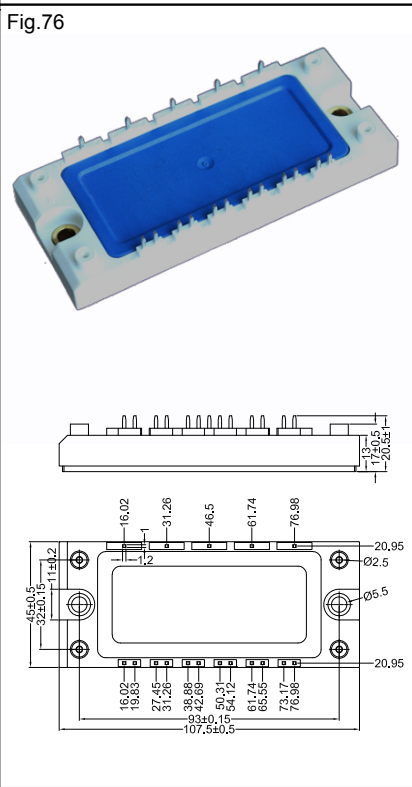
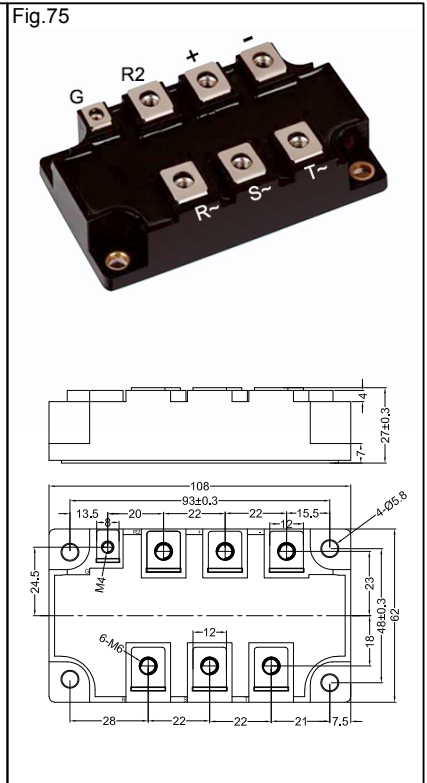
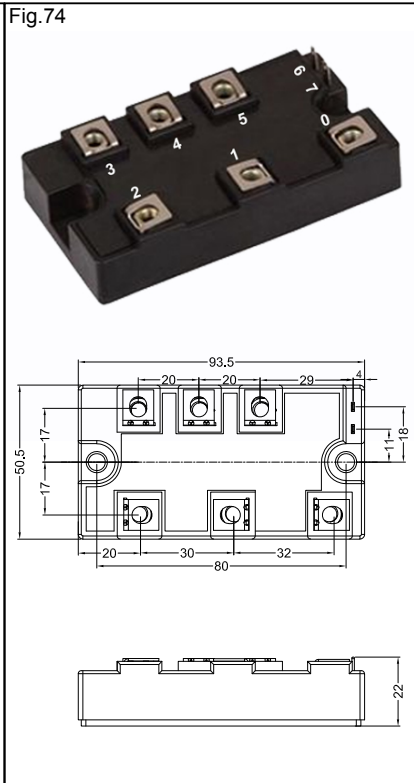
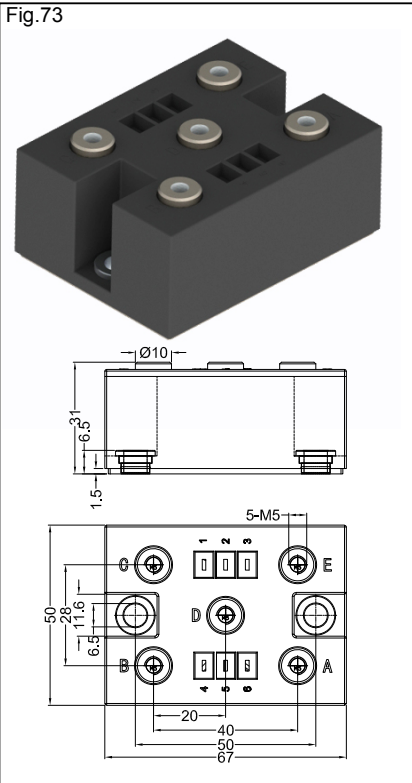
Outline Drawings



Outline Drawings

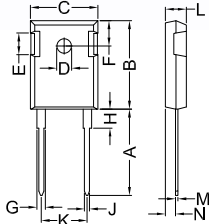
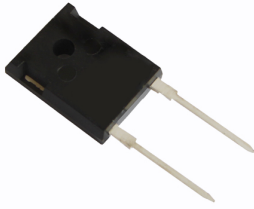


Outline Drawings



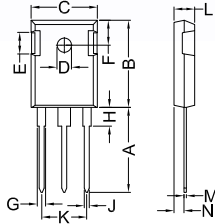
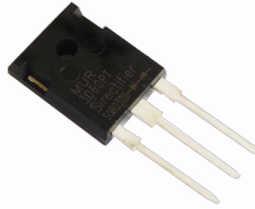
Outline Drawings

TO-247AC



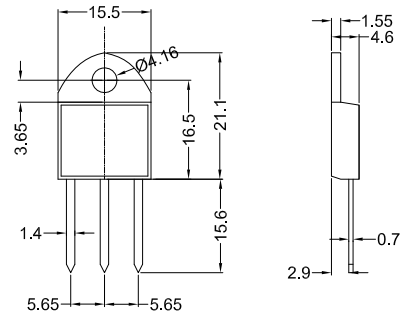
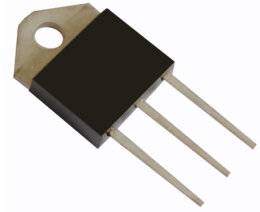
Dim.	Millimeter		Inches	
	Min.	Max.	Min.	Max.
A	19.81	20.32	0.780	0.800
B	20.80	21.46	0.819	0.845
C	15.75	16.26	0.610	0.640
ØD	3.15	3.65	0.124	0.144
E	4.32	5.49	0.170	0.216
F	5.4	6.3	0.212	0.248
G	1.65	2.13	0.065	0.084
H	3.80	4.5	0.149	0.177
J	1.0	1.4	0.040	0.055
K	10.8	11.1	0.426	0.437
L	4.7	5.3	0.185	0.209
M	0.4	0.8	0.016	0.031
N	1.5	2.49	0.087	0.102

TO-247AD

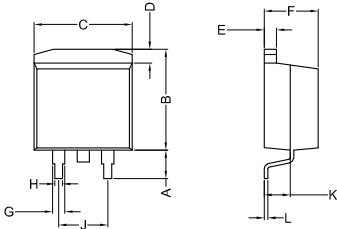
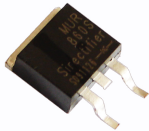


Dim.	Millimeter		Inches	
	Min.	Max.	Min.	Max.
A	19.81	20.32	0.780	0.800
B	20.80	21.46	0.819	0.845
C	15.75	16.26	0.610	0.640
ØD	3.15	3.65	0.124	0.144
E	4.32	5.49	0.170	0.216
F	5.4	6.3	0.212	0.248
G	1.65	2.18	0.065	0.086
H	3.80	4.5	0.149	0.177
J	1.0	1.4	0.040	0.055
K	10.8	11.1	0.426	0.437
L	4.7	5.3	0.185	0.209
M	0.4	0.8	0.016	0.031
N	1.5	2.49	0.087	0.102

TO-218

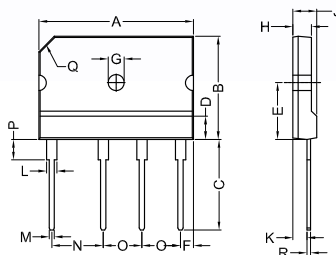
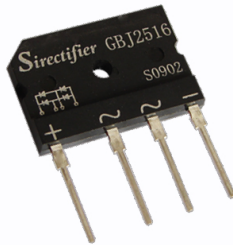


TO-263



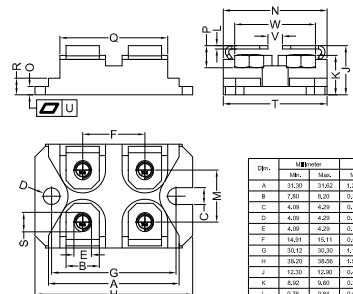
Dim.	Millimeter		Inches	
	Min.	Max.	Min.	Max.
A	5.00	5.60	0.197	0.220
B	9.32	10.52	0.337	0.414
C	9.60	10.4	0.378	0.409
D	1.20	1.40	0.047	0.055
E	1.30	1.50	0.051	0.059
F	4.32	4.82	0.170	0.190
G	1.15	1.65	0.045	0.065
H	0.64	1.01	0.025	0.040
J	4.50	5.10	0.177	0.200
K	2.30	3.00	0.090	0.118
L	0.30	0.35	0.012	0.014

GBJ



Dim.	Millimeter	
	Min.	Max.
A	20.00	20.00
B	10.70	20.00
C	17.0	19.0
D	4.20	4.20
E	10.00	11.20
F	5.00	3.75
ØG	0.60	0.64
H	3.40	3.20
J	4.40	4.80
K	2.00	2.00
L	5.00	5.40
M	0.60	0.70
N	5.00	10.00
O	5.00	7.00
P	5.00	4.20
Q	-	c1
R	0.60	1.00

SOT-227



Dim.	Millimeter		Inches	
	Min.	Max.	Min.	Max.
A	11.20	11.65	0.441	0.461
B	7.60	8.20	0.300	0.323
C	4.00	4.20	0.158	0.165
D	4.00	4.20	0.158	0.165
E	4.00	4.20	0.158	0.165
F	4.40	15.11	0.173	0.595
G	10.52	10.20	0.414	0.402
H	10.20	10.50	0.402	0.414
J	12.00	12.00	0.472	0.472
K	6.00	6.00	0.236	0.236
L	0.78	0.84	0.031	0.033
M	12.00	14.00	0.472	0.551
N	25.01	25.00	0.985	0.984
O	1.88	2.13	0.074	0.084
P	4.13	4.42	0.163	0.174
Q	25.00	25.00	0.984	0.984
R	3.04	4.42	0.120	0.174
S	4.40	4.20	0.173	0.165
T	24.00	25.00	0.945	0.984
U	0.55	0.10	0.022	0.004
V	3.20	4.40	0.126	0.173
W	16.01	21.00	0.630	0.827



江苏矽莱克电子科技有限公司
Sirectifier Electronics Technology Corp.

地址：江苏省常州市钟楼区西林科技工业园富林路15号

ADD: 15 FULIN RD, XILIN INDUSTRIAL PARK, ZHONGLOU DISTRICT, CHANGZHOU, JIANGSU, 213024, CHINA

邮编：213024

电话 (TEL): +86-519-88020000, 86800000

传真 (FAX): +86-519-88019019, 83888666, 88020008

E-mail: sales@sirectifier.com

Website: www.sirectifier.com (中文) www.sirectifier.net (English)

X-ON Electronics

Largest Supplier of Electrical and Electronic Components

Click to view similar products for [Discrete Semiconductor Modules](#) category:

Click to view products by [Sirectifier](#) manufacturer:

Other Similar products are found below :

[M252511FV](#) [DD260N12K-A](#) [DD285N02K](#) [DD380N16A](#) [DD89N1600K-A](#) [APT2X21DC60J](#) [APT58M80J](#) [B522F-2-YEC](#) [MSTC90-16](#)
[ND104N16K](#) [25.163.0653.1](#) [25.163.2453.0](#) [25.163.4253.0](#) [25.190.2053.0](#) [25.194.3453.0](#) [25.320.4853.1](#) [25.320.5253.1](#) [25.326.3253.1](#)
[25.326.3553.1](#) [25.330.1653.1](#) [25.330.4753.1](#) [25.330.5253.1](#) [25.334.3253.1](#) [25.334.3353.1](#) [25.350.2053.0](#) [25.352.4753.1](#) [25.522.3253.0](#)
[T483C](#) [T484C](#) [T485F](#) [T485H](#) [T512F-YEB](#) [T513F](#) [T514F](#) [T554](#) [T612FSE](#) [25.161.3453.0](#) [25.179.2253.0](#) [25.194.3253.0](#) [25.325.1253.1](#)
[25.326.4253.1](#) [25.330.0953.1](#) [25.332.4353.1](#) [25.350.1653.0](#) [25.350.2453.0](#) [25.352.1453.0](#) [25.352.1653.0](#) [25.352.2453.0](#) [25.352.5453.1](#)
[25.522.3353.0](#)