



Oscar 420

3G/4G/WiFi MIMO Omni-directional Antenna

Key Features

- Weatherproof and UV Resistant
- MIMO Antenna
- 7dBi Peak Gain



General Description

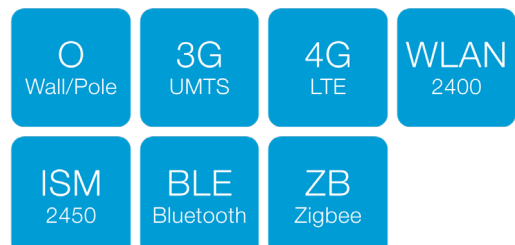
The Oscar 420 is a great antenna covering many popular frequencies in use today. Its radome is UV and water resistant making it a great outdoor antenna.

Fitted with 0.4M RG58 tails ready for connection to standard or low loss cable for extended distance to the Transmitter/Receiver.

The Oscar 420 is fitted with an aluminium bracket for wall mounting and comes supplied with a clamp for fitting to a standard mast.

Additional Considerations

- Water and UV resistant
- Covers a wide range of frequencies





Oscar 420

3G/4G/WiFi MIMO Omni-directional Antenna

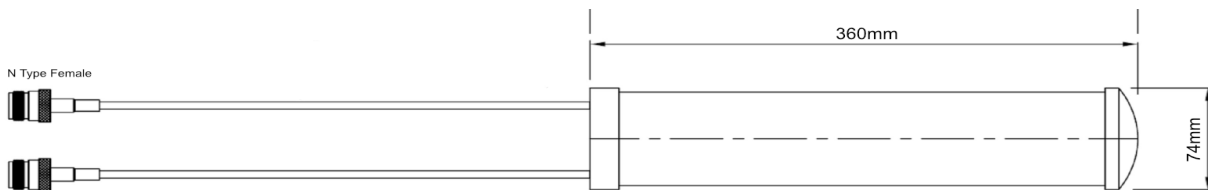
Electrical Specifications

Impedance:	50 Ohms
Temperature range:	-30 - +70°C
Gain:	700-960MHz 3dBi 1700-2700MHz 7dBi
VSWR:	<=3.2
Frequency range:	700-960MHz 1700-2700MHz
Polarization:	Vertical
Wind Load:	120 Km/h

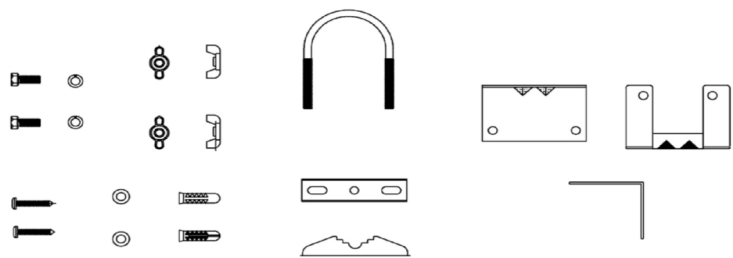
Mechanical Specifications

Dimensions:	L360 x W74 x H74mm Ø
Connector:	N Female x2
Cable:	RG58
Mounting method:	Pole U-bolt

Drawing



Accessories





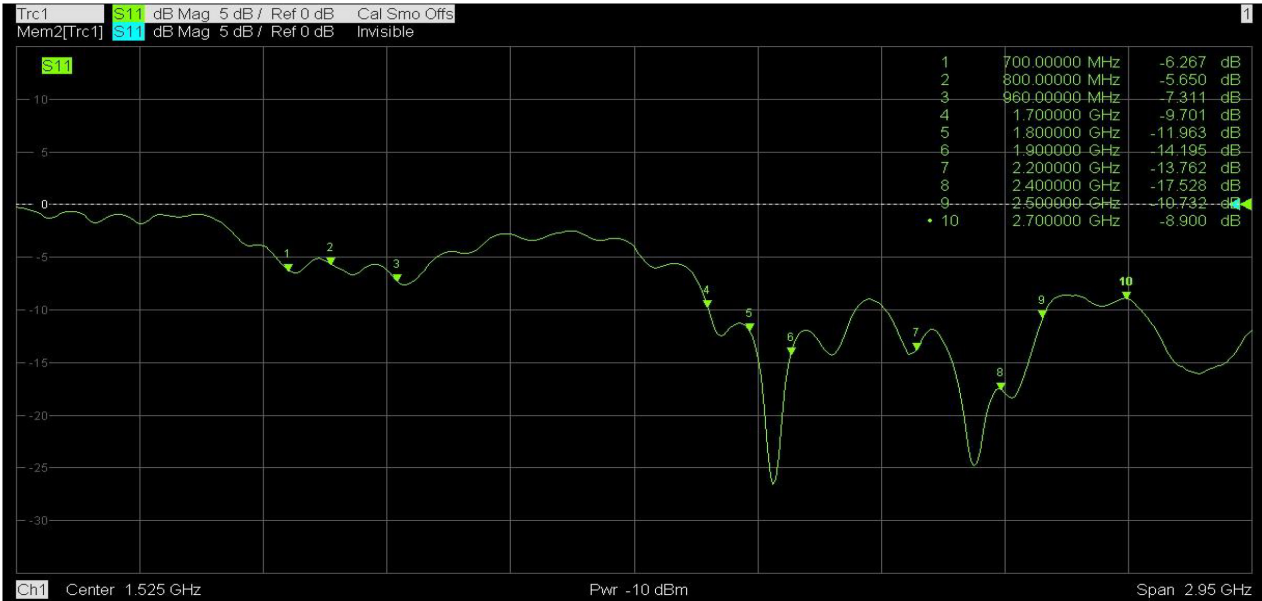
Enabling Industrial IoT



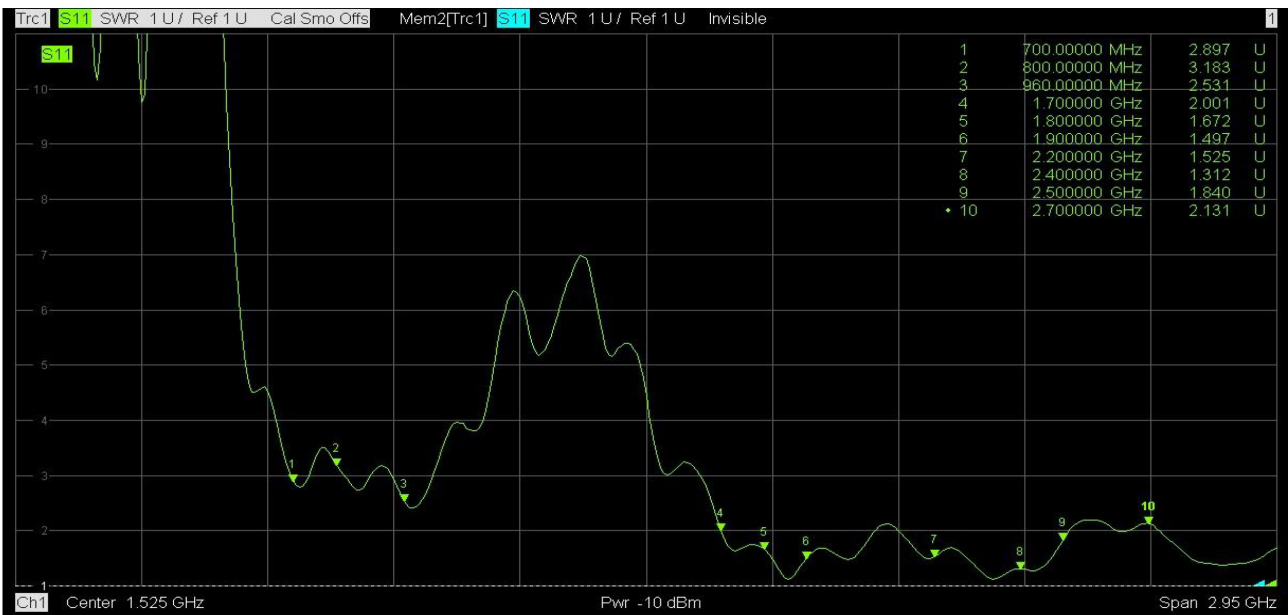
Oscar 420

3G/4G/WiFi MIMO Omni-directional Antenna

Antenna 1 Return Loss



VSWR





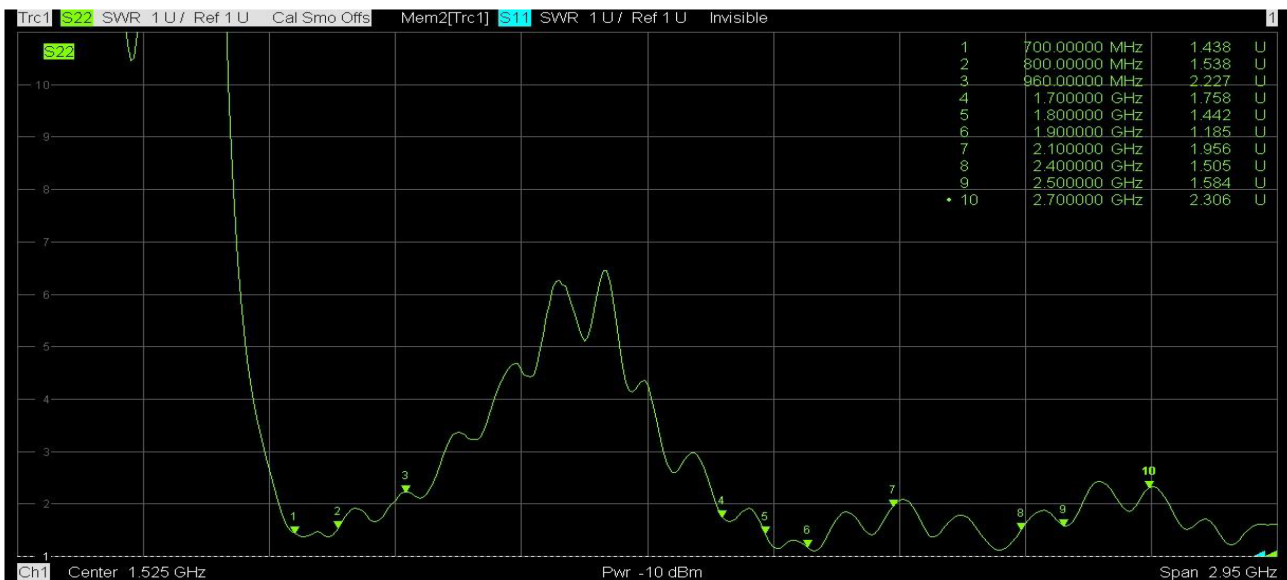
Oscar 420

3G/4G/WiFi MIMO Omni-directional Antenna

Antenna 2 Return Loss



VSWR



Ordering Details

Part Number Description

OSCAR420/0.4M/NTYPEF/S/S/19 3G/4G/WiFi MIMO Omni-directional antenna

Registered in England No. 08405712
VAT Registration No. GB163 04 0349

Siretta Ltd
Basingstoke Road
Spencers Wood
Reading
Berkshire RG7 1PW

sales +44(0)118 976 9000
email sales@siretta.com
web www.siretta.com

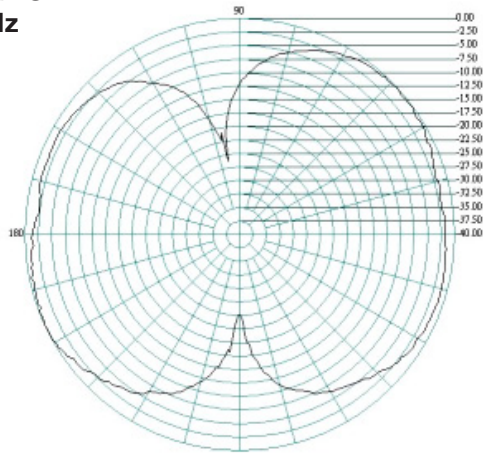


Oscar 420

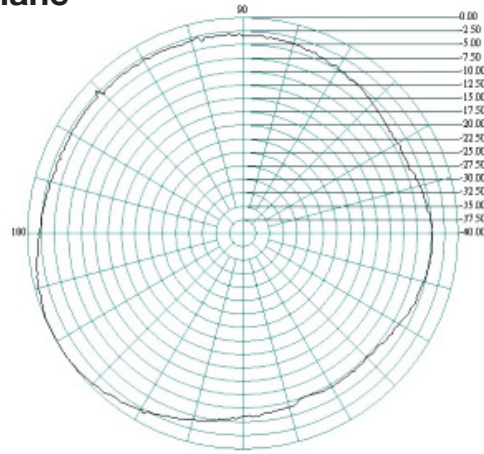
3G/4G/WiFi MIMO Omni-directional Antenna

Radiation Patterns: Antenna 1

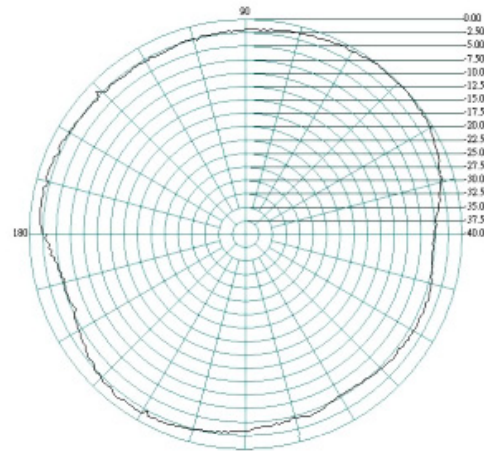
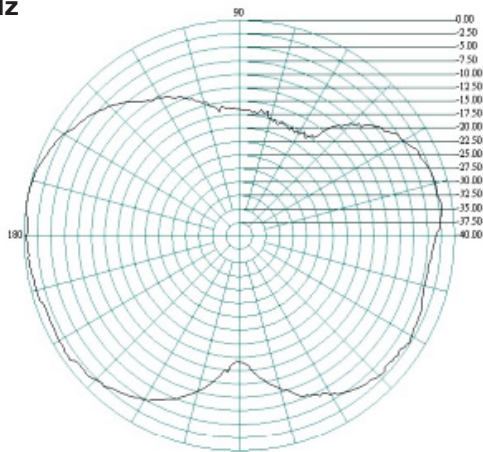
E-Plane
700MHz



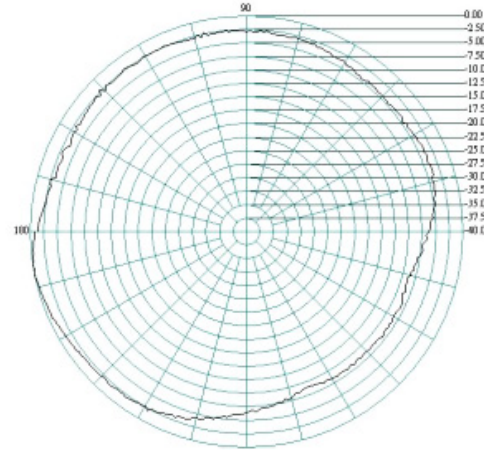
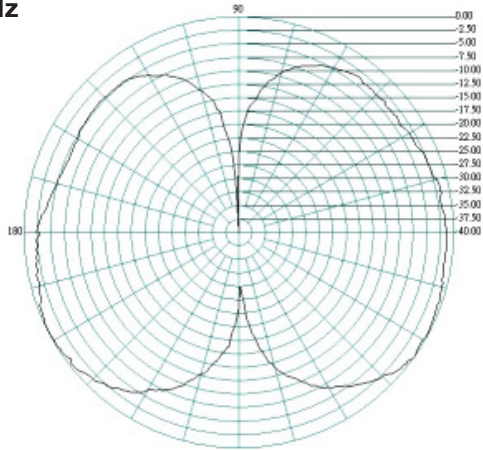
H-Plane



800MHz



900MHz

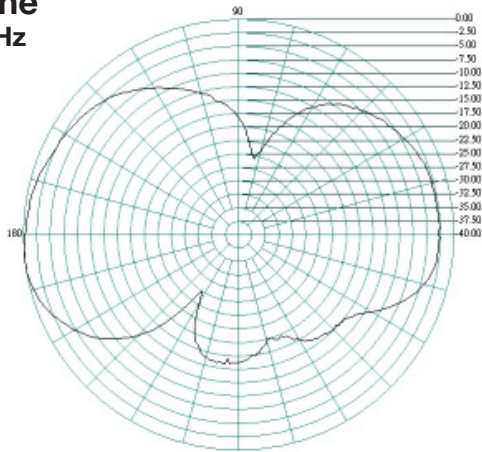




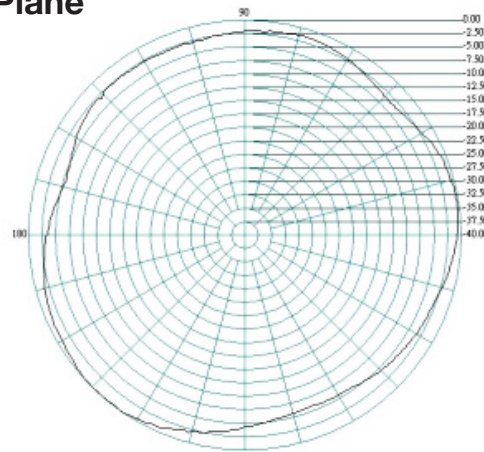
Oscar 420

3G/4G/WiFi MIMO Omni-directional Antenna

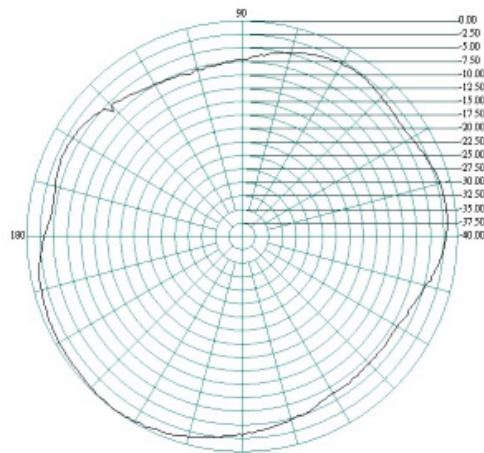
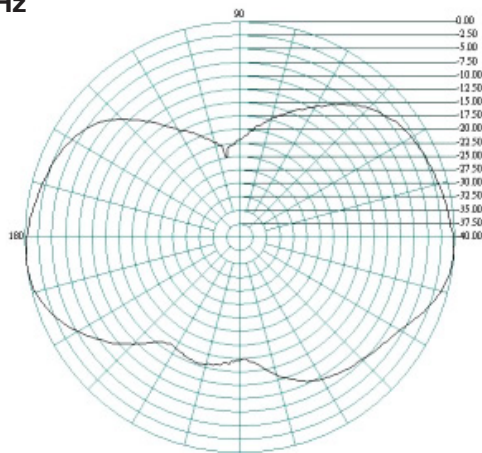
E-Plane 1700MHz



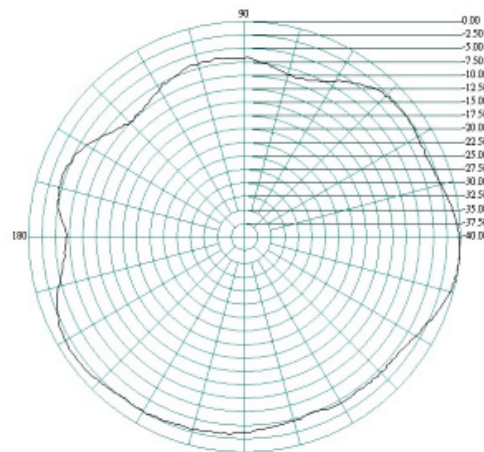
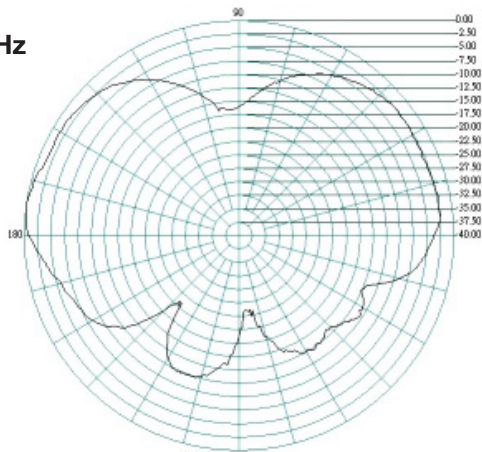
H-Plane



1800MHz



1900MHz

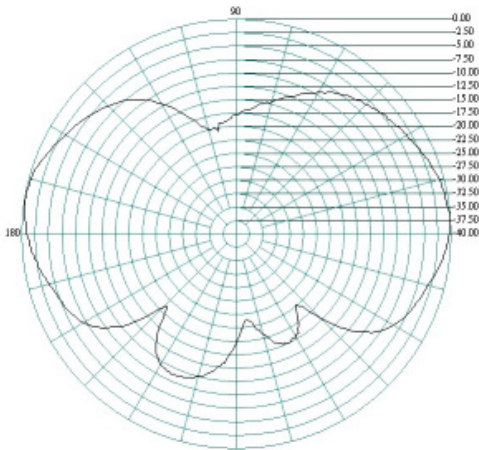




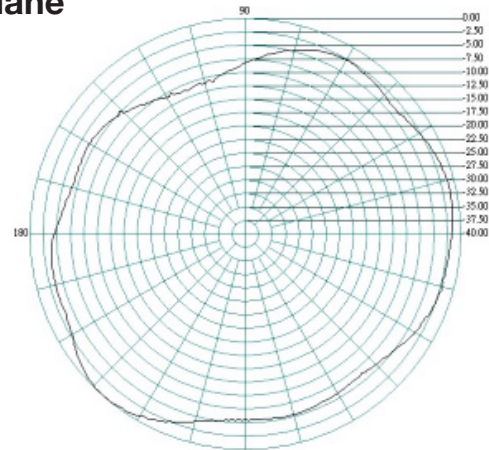
Oscar 420

3G/4G/WiFi MIMO Omni-directional Antenna

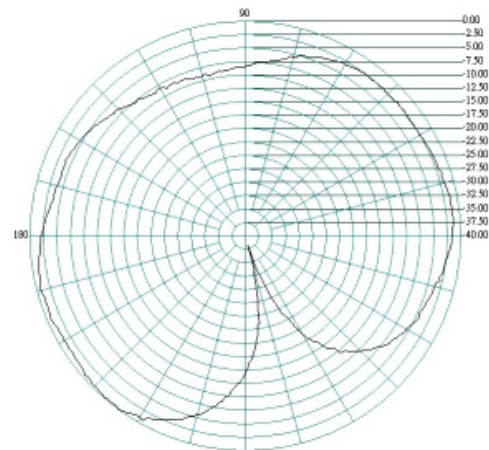
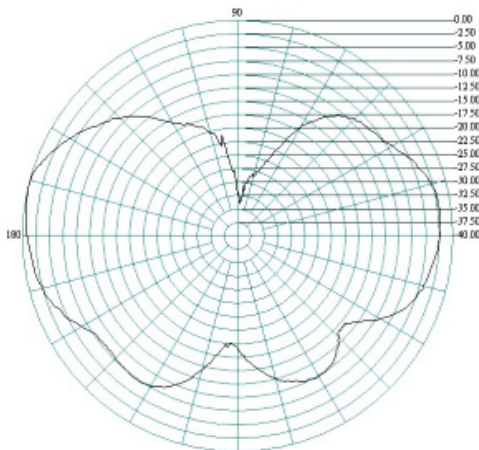
E-Plane
2100MHz



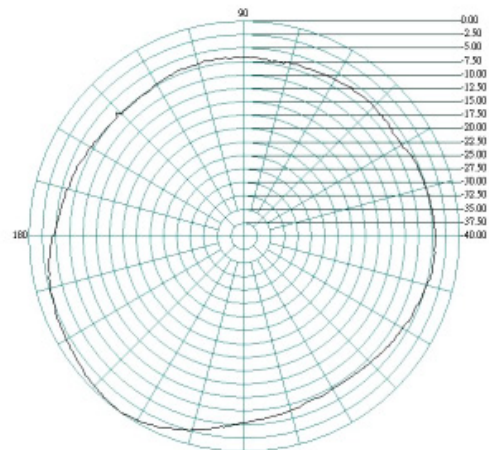
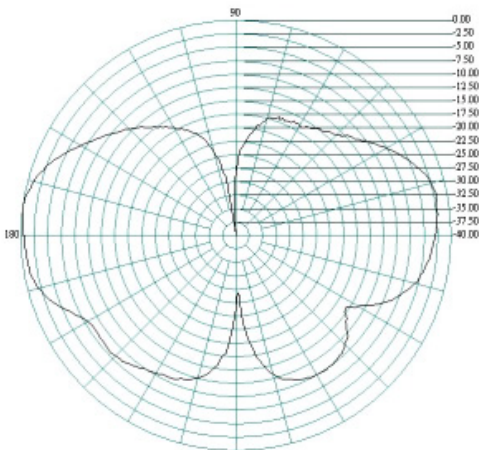
H-Plane



2200MHz



2400MHz

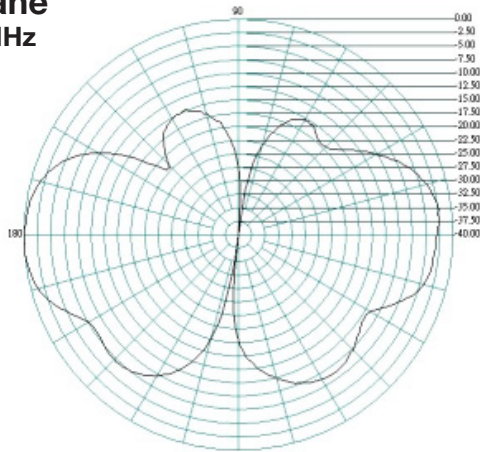




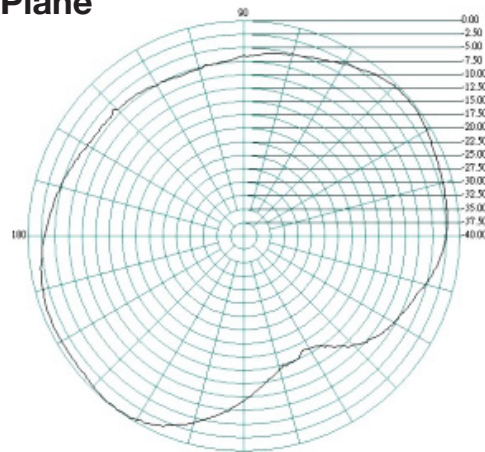
Oscar 420

3G/4G/WiFi MIMO Omni-directional Antenna

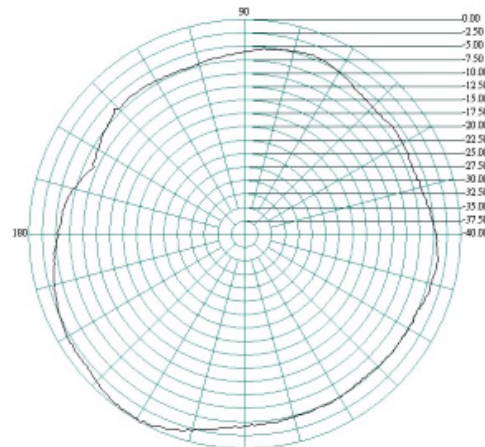
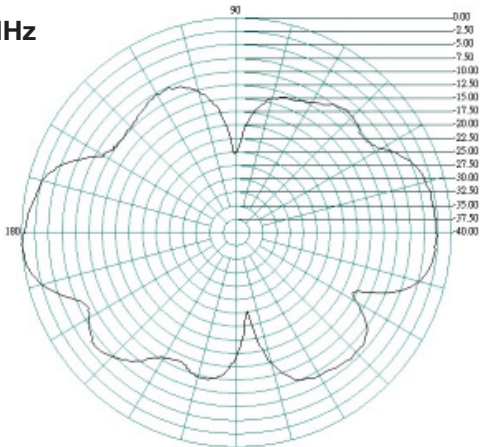
E-Plane
2500MHz



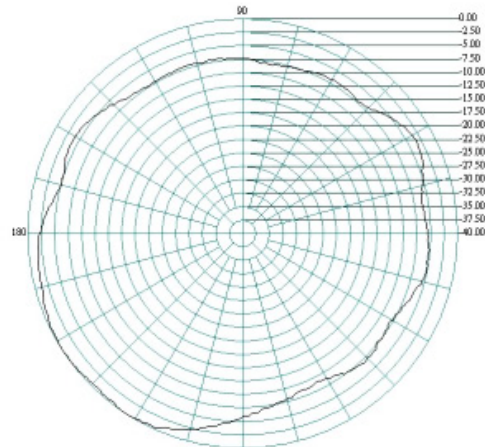
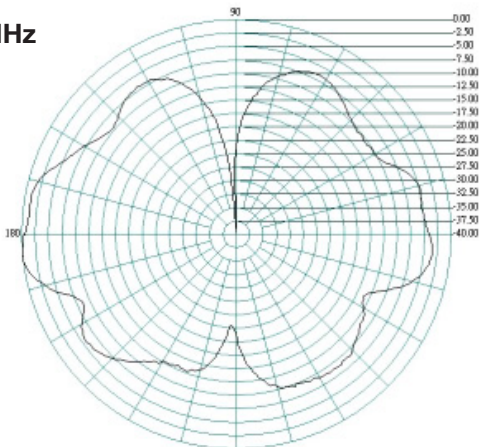
H-Plane



2600MHz



2700MHz



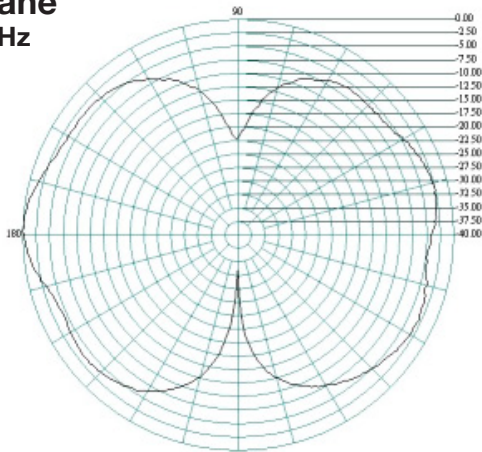


Oscar 420

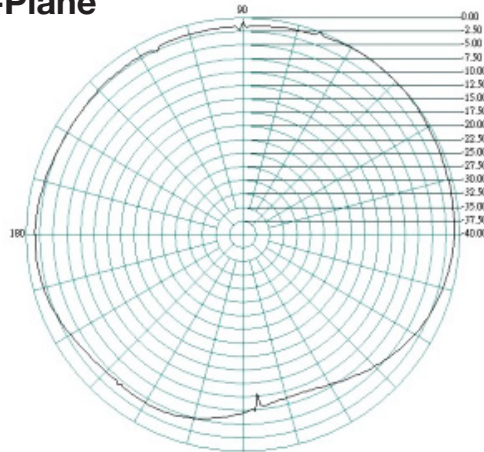
3G/4G/WiFi MIMO Omni-directional Antenna

Radiation Patterns: Antenna 2

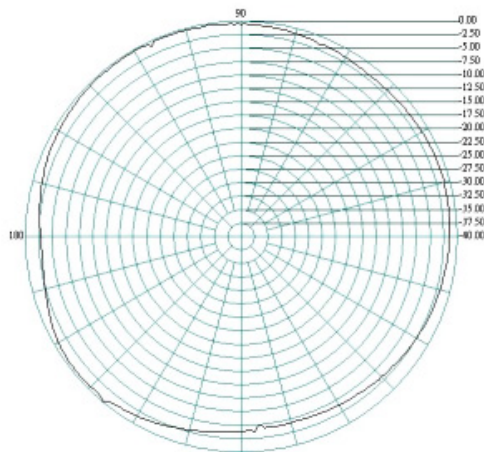
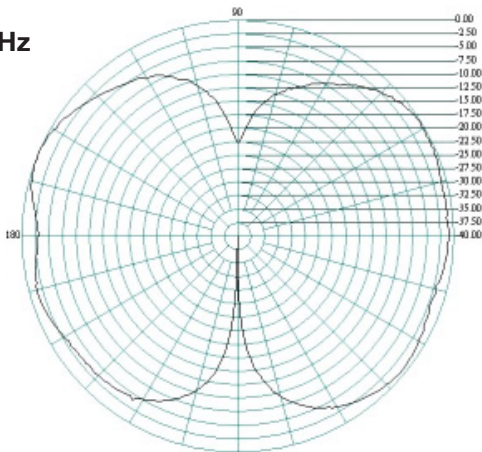
E-Plane
700MHz



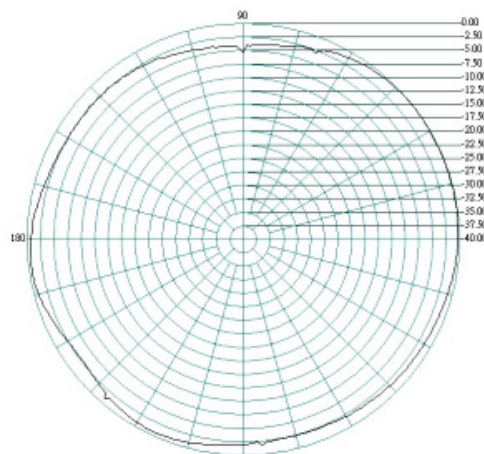
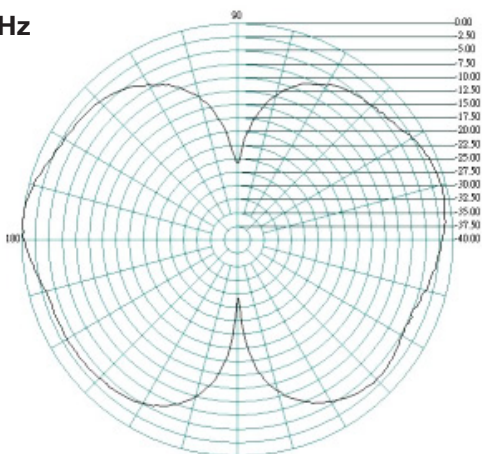
H-Plane



800MHz



900MHz

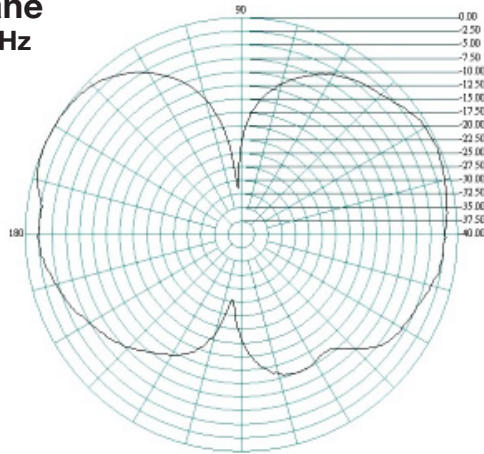




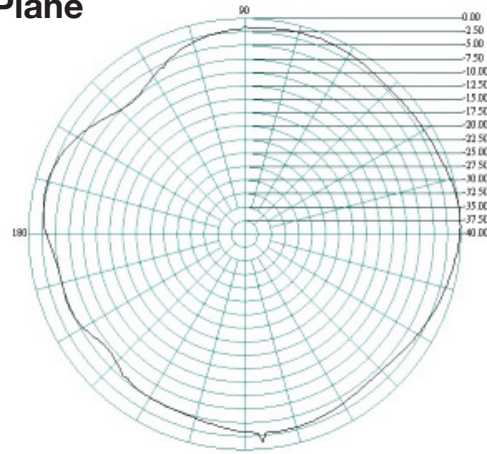
Oscar 420

3G/4G/WiFi MIMO Omni-directional Antenna

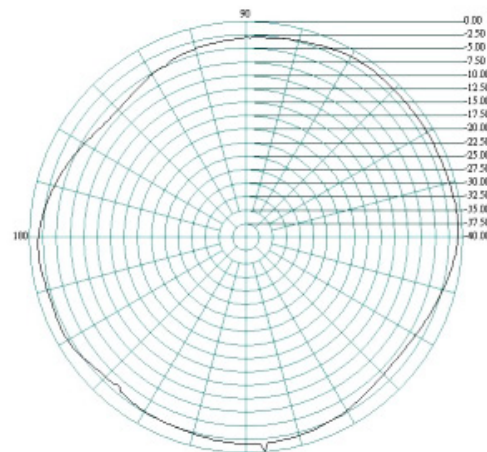
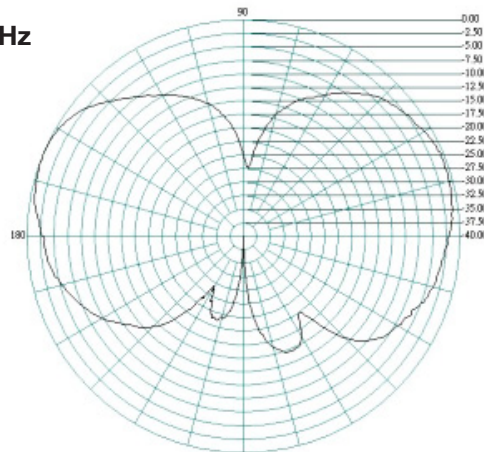
E-Plane
1700MHz



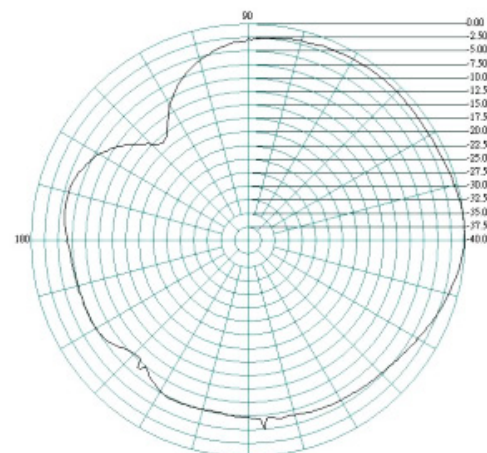
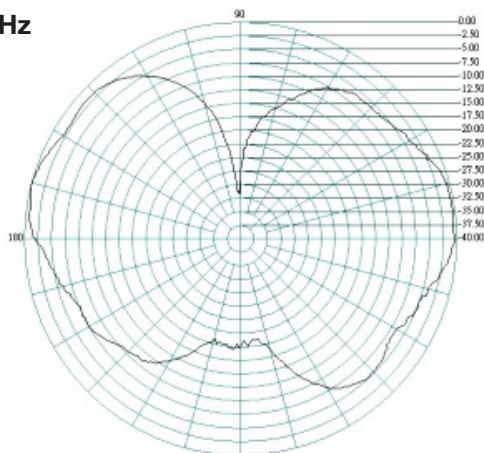
H-Plane



1800MHz



1900MHz

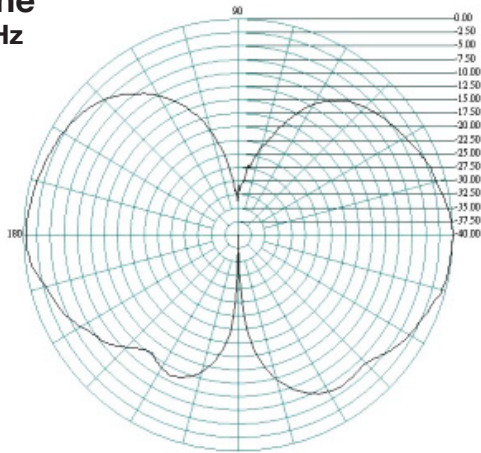




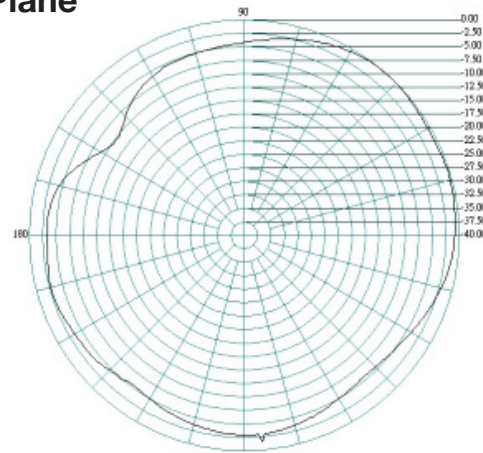
Oscar 420

3G/4G/WiFi MIMO Omni-directional Antenna

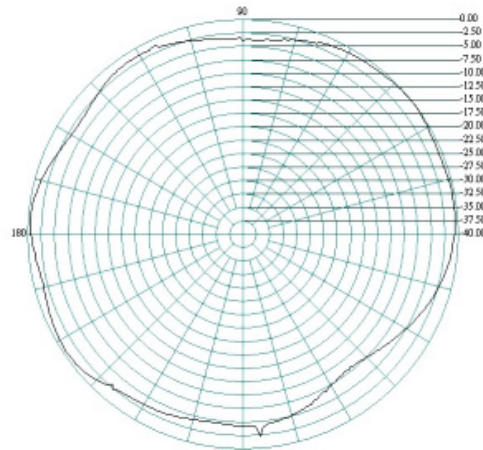
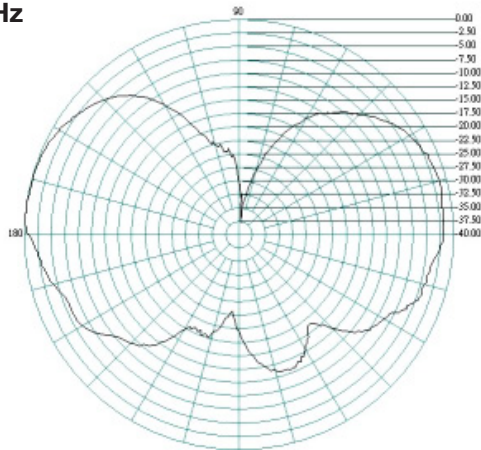
E-Plane
2100MHz



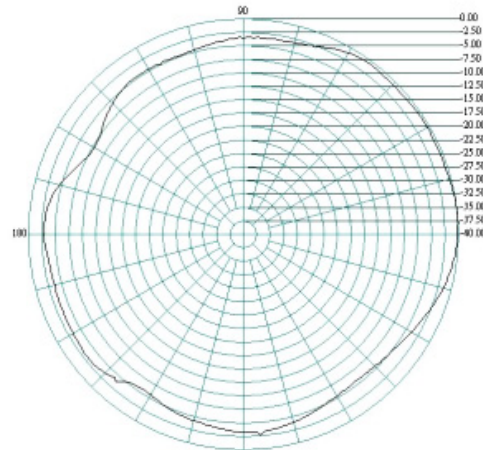
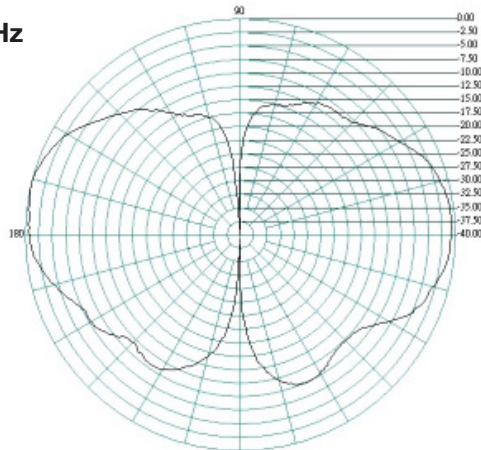
H-Plane



2200MHz



2400MHz

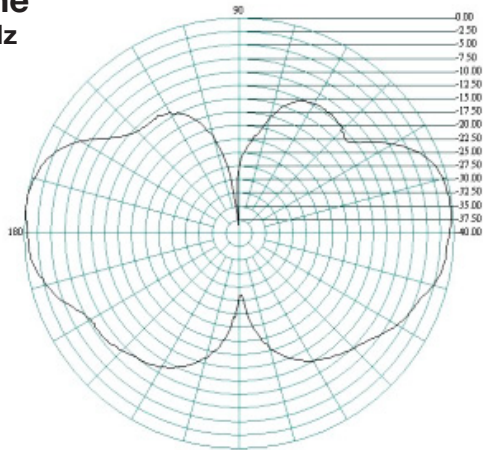




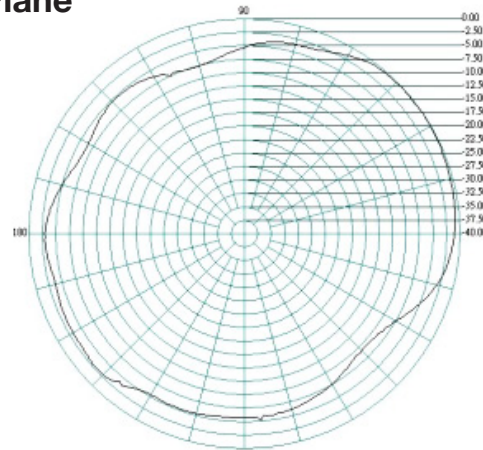
Oscar 420

3G/4G/WiFi MIMO Omni-directional Antenna

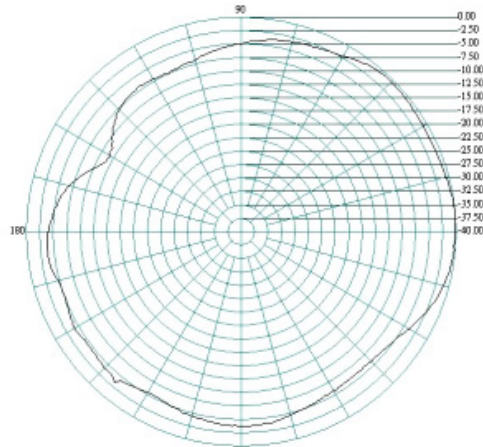
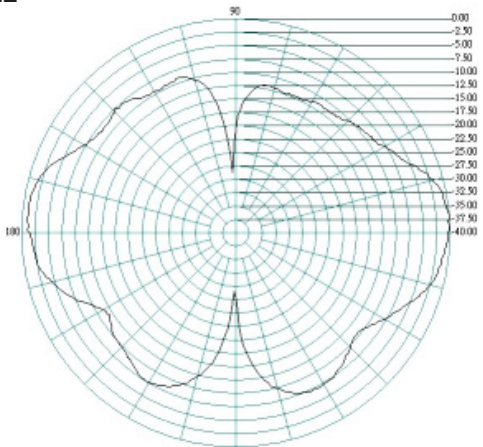
E-Plane 2500MHz



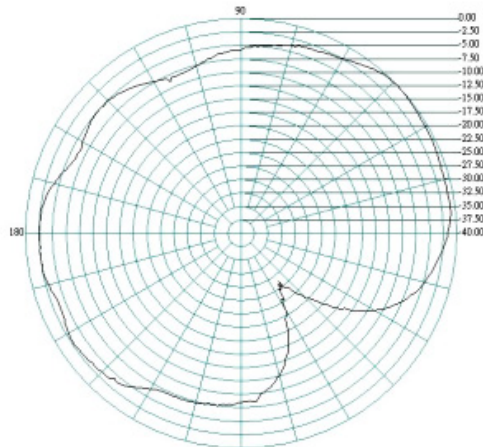
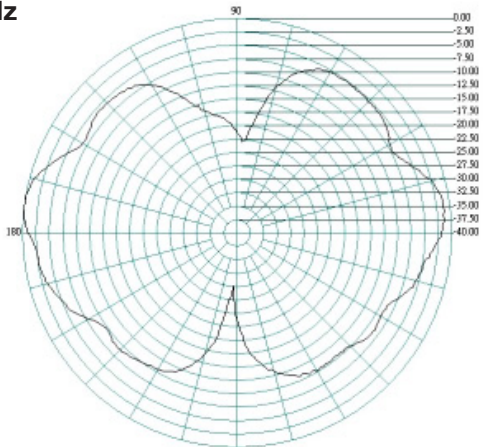
H-Plane



2600MHz



2700MHz



X-ON Electronics

Largest Supplier of Electrical and Electronic Components

Click to view similar products for [Antennas](#) category:

Click to view products by [SIRETTA](#) manufacturer:

Other Similar products are found below :

[930-033-R](#) [EXE902SM](#) [APAMPG-117](#) [MAF94383](#) [108-00014-50](#) [SPDA17RP918](#) [A09-F5NF-M](#) [RGFRA1903041A1T](#) [108-00016-050](#)
[W3921B0100](#) [SIMNA-868](#) [SIMNA-915](#) [SIMNA-433](#) [W1049B090](#) [TRABT1560](#) [W3118A](#) [WTL2449CQ1-FRSMM](#) [CPL9C](#) [0600-00060](#)
[GD5W-28P-NF](#) [PAL90209H-FNF](#) [MA9-7N](#) [GD53-25](#) [C37](#) [MAF94051](#) [S9025PLSMF](#) [EXD420PL](#) [B1322NR](#) [MAF94300](#) [GPSMB301](#)
[FG4403](#) [MIKROE-2393](#) [DA5-32RADOME](#) [BB1442NR](#) [5200227](#) [GPSCPMM00](#) [ANTDOM-05-01-WPM](#) [ANT-WP868SMA-Y](#)
[EXW30BNX](#) [OSCAR1A/5M/SMAM/S/S/31](#) [ALPHA4A/1M/SMAM/S/S/26](#) [OSCAR1A/10M/SMAM/S/S/31](#) [OSCAR1A/20M/SMAM/S/S/31](#)
[OSCAR40/5M/LL/SMAM/S/S/33](#) [TANGO41/1M/SMAM/S/S/32](#) [ANTX100ETBAB24553](#) [S4908WBFNM](#) [FXR.01.07.0100C.A](#) [GD57-21](#)
[001-0016](#)