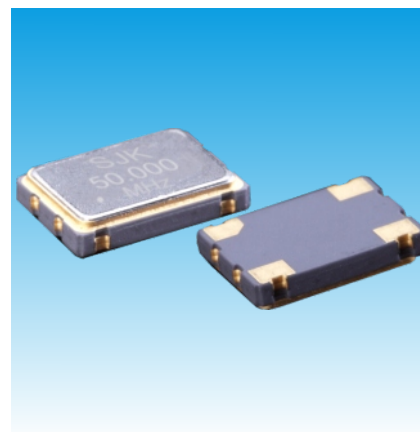


Features

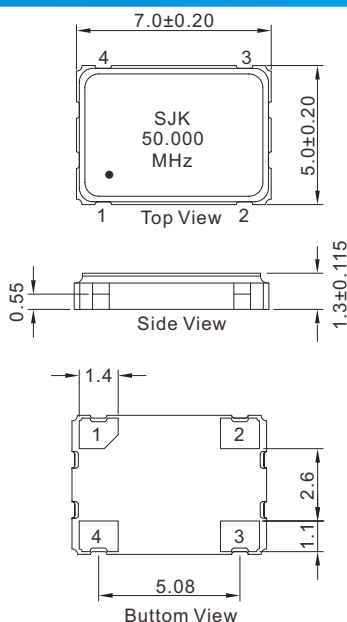
- Package size with 7.0×5.0×1.3mm
- Frequency range from 1MHz to 170MHz
- Low voltage operation: 1.8V~5.0V
- Low current consumption
- 3-state function
- Automatic mounting and reflow soldering
- Application for FC-HBA, LCDM, SONET, FA equipment applications, Sever, etc.
- RoHS Compliant /Pb Free



Standard Specification

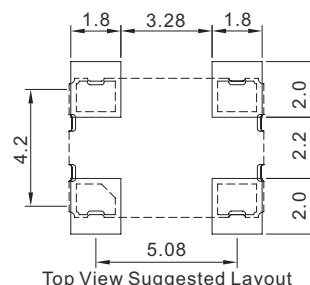
Item /Type	6N (SMD 7050 Crystal Oscillators)
Output Type	CMOS
Output Load	15pF, or specify
Supply Voltage	3.3V (1.8~5.0 V)
Frequency Range	1~170 MHz
Supply Current	20mA Max.
Frequency Stability	±20ppm, ±25ppm, or specify
Operating Temperature	-40~+85°C, or specify
Storage Temperature	-55~+125°C
Voltage Vol (Max.) /Voh (Min.)	0.1 VDD /0.9 VDD
Rise (Tr) /Fall (Tf) Time	8ns Max.
Period Jitter	40 pSec Max.
Duty Cycle	40~60%
Start-up Time	5ms Max.
Phase Jitter (12KHz~20MHz)	1ps Max.
Aging (at 25°C)	±3ppm /Year Max.
Packing Units	1000pcs. /Reel

Dimensions [mm]



Pin Connections

Pin No.	Connection
1	OE (Output Enable)
2	GND
3	Output
4	Vcc



X-ON Electronics

Largest Supplier of Electrical and Electronic Components

Click to view similar products for [Standard Clock Oscillators](#) category:

Click to view products by [SJK](#) manufacturer:

Other Similar products are found below :

[EP1400SJTSC-125.000M](#) [601137](#) [601252](#) [CSX750FBC-24.000M-UT](#) [CSX750FBC-33.333M-UT](#) [CSX750FCC-3.6864M-UT](#) [F335-12](#) [F335-25](#) [F535L-50](#) [DSC506-03FM2](#) [ASA-20.000MHZ-L-T](#) [ASA-25.000MHZ-L-T](#) [ASA-27.000MHZ-L-T](#) [ASV-20.000MHZ-LR-T](#) [ECS-2018-160-BN-TR](#) [EL13C7-H2F-125.00M](#) [MXO45HS-2C-66.6666MHZ](#) [NBXDBB017LN1TAG](#) [NBXHBA019LN1TAG](#) [SiT1602BI-22-33E-50.000000E](#) [SIT8003AC-11-33S-2.04800X](#) [SiT8256AC-23-33E-156.250000X](#) [SIT8918AA-11-33S-50.000000G](#) [SM4420TEV-40.0M-T1K](#) [SMA4306-TL-H](#) [F335-24](#) [F335-40](#) [F335-50](#) [F535L-10](#) [F535L-12](#) [F535L-16](#) [F535L-24](#) [F535L-27](#) [F535L-48](#) [PE7744DW-100.0M](#) [CSX750FBC-20.000M-UT](#) [CSX-750FBC33333000T](#) [CSX750FBC-4.000M-UT](#) [CSX750FBC-7.3728M-UT](#) [CSX750FBC-8.000M-UT](#) [CSX-750FCC14745600T](#) [CSX750FCC-16.000M-UT](#) [CSX-750FCC40000000T](#) [CSX750FCC-4.000M-UT](#) [ASA-22.000MHZ-L-T](#) [ASA2-26.000MHZ-L-T](#) [ASA-40.000MHZ-L-T](#) [ASA-48.000MHZ-L-T](#) [ASA-60.000MHZ-L-T](#) [ASF1-3.686MHZ-N-K-S](#)