

Image may differ from product. See technical specification for details.

## SY 503 M

### Pillow block housing for insert bearings, cast iron, ISO standards

Pillow (plummer) block housings are designed to accommodate an insert bearing. The cast iron housings are strong, stiff and cost-effective. They are suitable for most applications and can be bolted directly to a support surface.

- Accommodate heavy loads in different directions
- High degree of stiffness
- Narrow design

# Overview

## Dimensions

Spherical seating diameter	40 mm
Centre height (pillow block)	30.2 mm
Housing overall width	32 mm
Centre distance between bolt holes	97 mm

## Logistics

Product net weight	0.36 kg
eClass code	23-05-08-02
UNSPSC code	31171536

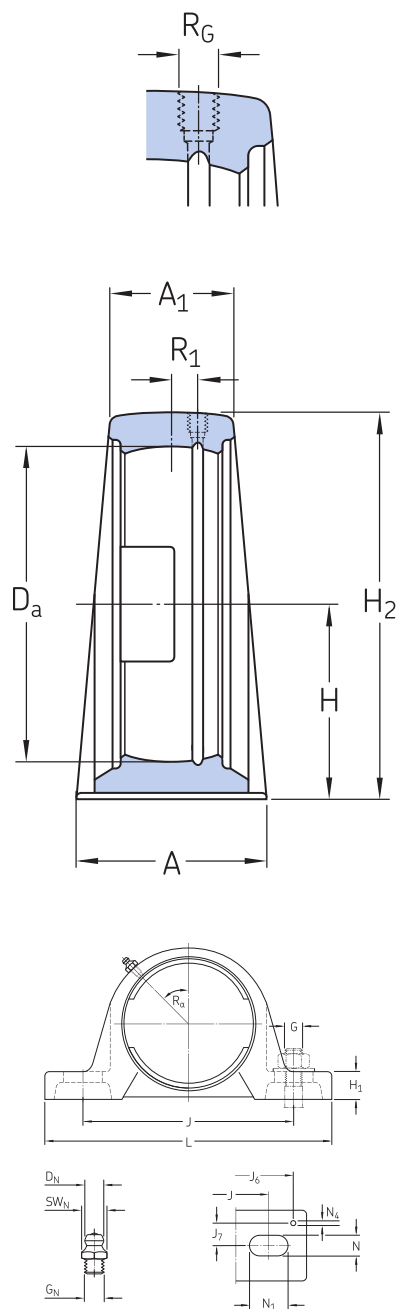
## Properties

Housing type	Pillow block
Number of bolt holes for fasteners	2
Fastening bolt hole type	Plain
Material, housing	Cast iron
Coating	Without
Relubrication hole	With
Grease fitting	With

# Technical specification

Material

Cast iron



## Dimensions

$D_a$	40 mm	Diameter of spherical seat
A	32 mm	Base width
$A_1$	18 mm	Top width
H	30.2 mm	Height of spherical seat centre
$H_1$	14 mm	Foot height
$H_2$	57 mm	Overall height
J	97 mm	Distance between attachment bolts
J	max. 106 mm	Distance between attachment bolts
J	min. 88 mm	Distance between attachment bolts
L	127 mm	Overall length
N	11.5 mm	Width of attachment bolt hole
$N_1$	20.5 mm	Length of attachment bolt hole

## THREADED HOLE

$R_G$	1/4-28 UNF	Housing thread for the grease fitting
$R_1$	1 mm	Axial position of the housing thread
$R_a$	45 °	Angular position of the housing thread

## GREASE FITTING

$D_N$	6.5 mm	Diameter of head sphere of grease fitting
$SW_N$	7 mm	Hexagonal key size for the grease fitting
$G_N$	1/4-28 SAE-LT	Thread of the grease fitting

## DOWEL PINS

J <sub>6</sub>	118 mm	Distance between dowel pins
J <sub>7</sub>	11.5 mm	Axial offset of dowel pins
N <sub>4</sub>	2 mm	Recommended diameter for dowel pins

## Mass

Mass housing	0.37 kg
--------------	---------

## Mounting information

Recommended diameter for attachment bolts, mm	G	10 mm
Recommended diameter for attachment bolts, inch	G	0.375 in

## X-ON Electronics

Largest Supplier of Electrical and Electronic Components

*Click to view similar products for [Screws & Fasteners](#) category:*

*Click to view products by [SKF](#) manufacturer:*

Other Similar products are found below :

[5721-1440-1/4-SS](#) [0098.0094](#) [0098.9206](#) [59781-6](#) [0098.9212](#) [6292-1](#) [690432-1](#) [699161-000](#) [700989](#) [7230-3](#) [72609-02](#) [CAPTIVE JACK](#)  
[SCREW](#) [73542-02](#) [CAPTIVE SHORT THUMBSCREW](#) [745564-1](#) [7680](#) [809704-1](#) [8700](#) [8860220](#) [9521](#) [992763-3](#) [1-18024-0](#) [A168P1](#) [1-](#)  
[24921-1](#) [125416-1](#) [1301810313](#) [1-306131-6](#) [1301830042](#) [1458](#) [1-59781-3](#) [18029-4](#) [NBX-10953](#) [NUT-16-3P-HEX-NICKEL](#) [20993.45098](#)  
[21004-1](#) [21009-4](#) [21014-5](#) [21021-2](#) [CA24037A01](#) [22987-4](#) [240632-1](#) [240632-2](#) [89506-9801](#) [2504](#) [9031](#) [9-1393249-2](#) [2.5NZPNBU](#) [26-](#)  
[0048PP](#) [27210-1](#) [27210-8](#) [9318](#) [9520](#)