

Image may differ from product. See technical specification for details.

SY 507 M

Pillow block housing for insert bearings, cast iron, ISO standards

Pillow (plummer) block housings are designed to accommodate an insert bearing. The cast iron housings are strong, stiff and cost-effective. They are suitable for most applications and can be bolted directly to a support surface.

- Accommodate heavy loads in different directions
- High degree of stiffness
- Narrow design

Overview

Dimensions

| | |
|------------------------------------|---------|
| Spherical seating diameter | 72 mm |
| Centre height (pillow block) | 47.6 mm |
| Housing overall width | 45 mm |
| Centre distance between bolt holes | 126 mm |

Logistics

| | |
|--------------------|-------------|
| Product net weight | 1.05 kg |
| eClass code | 23-05-08-02 |
| UNSPSC code | 31171536 |

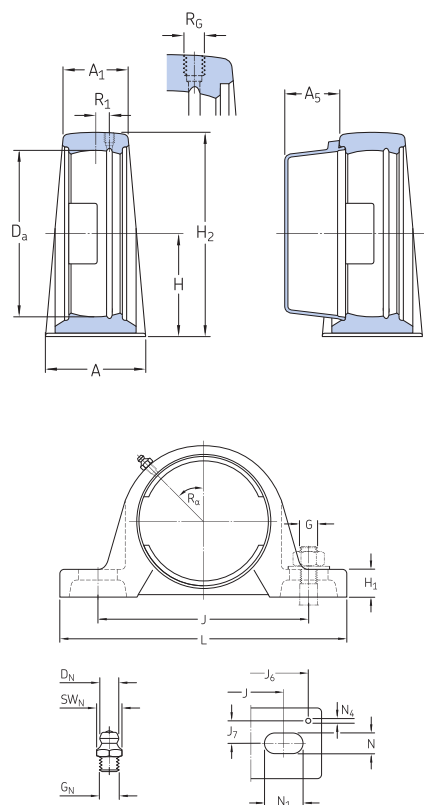
Properties

| | |
|------------------------------------|--------------|
| Housing type | Pillow block |
| Number of bolt holes for fasteners | 2 |
| Fastening bolt hole type | Plain |
| Material, housing | Cast iron |
| Coating | Without |
| Relubrication hole | With |
| Grease fitting | With |

Technical specification

Material

Cast iron



Dimensions

| | | |
|----------------|-------------|-----------------------------------|
| Da | 72 mm | Diameter of spherical seat |
| A | 45 mm | Base width |
| A ₁ | 27 mm | Top width |
| A ₅ | 24.5 mm | Standout of end cover |
| H | 47.6 mm | Height of spherical seat centre |
| H ₁ | 19 mm | Foot height |
| H ₂ | 93 mm | Overall height |
| J | 126 mm | Distance between attachment bolts |
| J | max. 133 mm | Distance between attachment bolts |
| J | min. 119 mm | Distance between attachment bolts |
| L | 160 mm | Overall length |
| N | 14 mm | Width of attachment bolt hole |
| N ₁ | 21 mm | Length of attachment bolt hole |

THREADED HOLE

| | | |
|----------------|------------|--|
| R _G | 1/4-28 UNF | Housing thread for the grease fitting |
| R ₁ | 3 mm | Axial position of the housing thread |
| R _a | 45 ° | Angular position of the housing thread |

GREASE FITTING

| | | |
|-----------------|--------|---|
| D _N | 6.5 mm | Diameter of head sphere of grease fitting |
| SW _N | 7 mm | Hexagonal key size for the grease fitting |

DOWEL PINS

| | | |
|----------------|---------|---|
| J ₆ | 146 mm | Distance between dowel pins |
| J ₇ | 15.5 mm | Axial offset of dowel pins |
| N ₄ | 4 mm | Recommended diameter for dowel pins |

Mass

| | |
|--------------|---------|
| Mass housing | 1.05 kg |
|--------------|---------|

Mounting information

| | | |
|--|---|--------|
| Recommended diameter for attachment bolts, mm | G | 12 mm |
| Recommended diameter for attachment bolts, inch | G | 0.5 in |

Associated products

| | |
|-----------|-------------------------|
| End cover | ECY 207 |
|-----------|-------------------------|

Compatible products

Recommended product

| | |
|-----------------------------|-------------------------|
| End cover for bearing units | ECY 207 |
|-----------------------------|-------------------------|

X-ON Electronics

Largest Supplier of Electrical and Electronic Components

Click to view similar products for [Screws & Fasteners](#) category:

Click to view products by [SKF](#) manufacturer:

Other Similar products are found below :

[5721-1440-1/4-SS](#) [0098.0094](#) [0098.9206](#) [59781-6](#) [0098.9212](#) [6292-1](#) [690432-1](#) [699161-000](#) [700989](#) [7230-3](#) [72609-02](#) [CAPTIVE JACK](#)
[SCREW](#) [73542-02](#) [CAPTIVE SHORT THUMBSCREW](#) [745564-1](#) [7680](#) [809704-1](#) [8700](#) [8860220](#) [9521](#) [992763-3](#) [1-18024-0](#) [A168P1](#) [1-](#)
[24921-1](#) [125416-1](#) [1301810313](#) [1-306131-6](#) [1301830042](#) [1458](#) [1-59781-3](#) [18029-4](#) [NBX-10953](#) [NUT-16-3P-HEX-NICKEL](#) [20993.45098](#)
[21004-1](#) [21009-4](#) [21014-5](#) [21021-2](#) [CA24037A01](#) [22987-4](#) [240632-1](#) [240632-2](#) [89506-9801](#) [2504](#) [9031](#) [9-1393249-2](#) [2.5NZPNBU](#) [26-](#)
[0048PP](#) [27210-1](#) [27210-8](#) [9318](#) [9520](#)