



Image may differ from product. See technical specification for details.

## UCF 206/H

### Square flanged ball bearing unit with set screw locking, cast iron housing, JIS

These square flanged ball bearing units are compliant with Japanese Industrial Standards (JIS). They consist of an insert bearing, with an extended inner ring and set screw locking, and are suitable for applications where the direction of rotation is constant or alternating. The bearing is mounted in a cast iron housing, which can be bolted to a machine wall or frame. Ball bearing units can accommodate moderate initial misalignment, but normally do not permit axial displacement.

- Resist high levels of contamination
- Designed for high temperatures and speeds
- Accommodate relatively heavy loads
- Cost-effective

# Overview

## Dimensions

Shaft diameter	30 mm
Housing overall width	30 mm
Width, total	40.2 mm
Centre distance between bolt holes	83 mm
Bearing width, total	38.1 mm

## Properties

Housing type	Flanged
Flanged housing type	Square
Number of bolt holes for fasteners	4
Fastening bolt hole type	Plain
Retaining feature, inner ring	Set screws
Bore type	Cylindrical
Rubber seating ring	Without
Material, housing	Cast iron
Material, bearing	Bearing steel
Coating	Without
Sealing, bearing	Seal and flinger on both sides
Sealing type	Contact, standard
Sealing, unit	Optional end cover
Lubricant	Grease
Relubrication hole	With
Grease fitting	With

## Performance

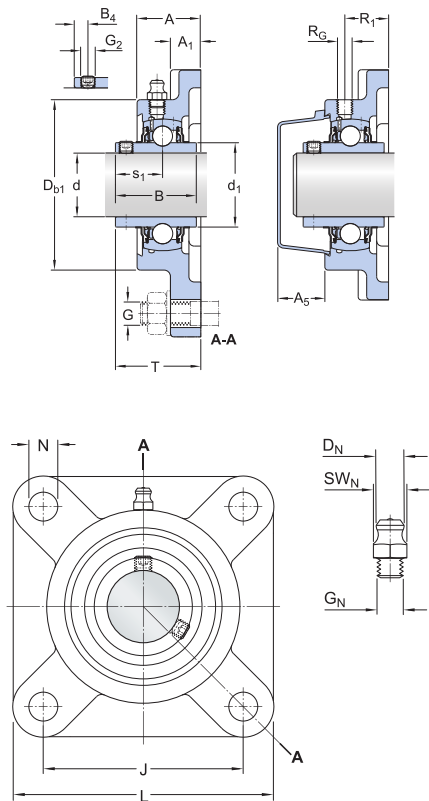
Basic dynamic load rating	19.5 kN
Basic static load rating	11.2 kN
Limiting speed	5 000 r/min
Note	Limiting speed with shaft tolerance h6

## Logistics

Product net weight	1.03 kg
eClass code	23-05-16-02
UNSPSC code	31171536

# Technical specification

Compliance with standard	JIS
Purpose specific	For material handling applications
Material, housing	Cast iron
Sealing, bearing	Seal and flinger on both sides
Sealing type, bearing	Contact, standard
Sealing, unit	Optional end cover
Coating	Without



## Dimensions

d	30 mm	Bore diameter
d <sub>1</sub>	≈ 39.7 mm	Outer diameter of inner ring
A	30 mm	Width of housing
A <sub>1</sub>	14 mm	Flange width
A <sub>5</sub>	22.5 mm	Standout of end cover
B	38.1 mm	Width of inner ring
B <sub>4</sub>	5 mm	Distance from locking device side face to thread centre
D <sub>b1</sub>	80 mm	Top external diameter
J	83 mm	Distance between attachment bolts
L	108 mm	Overall length
N	12 mm	Diameter of attachment bolt hole
s <sub>1</sub>	22.2 mm	Distance from locking device side face to raceway centre
T	40.2 mm	Overall width

## THREADED HOLE

R <sub>G</sub>	1/4-28 UNF	Housing thread for grease fitting
R <sub>1</sub>	20.5 mm	Axial position of the housing thread

## GREASE FITTING

$D_N$	6.6 mm	Diameter of head sphere of grease fitting
$SW_N$	7.94 mm	Hexagonal key size for the grease fitting
$G_N$	1/4-28 UNF	Thread of grease fitting

## Calculation data

Basic dynamic load rating	C	19.5 kN
Basic static load rating	$C_0$	11.2 kN
Fatigue load limit	$P_u$	0.475 kN
Limiting speed		5 000 r/min
		Limiting speed with shaft tolerance h6

## Mass

Mass bearing unit	1.05 kg
-------------------	---------

## Mounting information

Set screw	$G_2$	M6x0.75
Hexagonal key size for set screw		3 mm
Recommended tightening torque for set screw		4 N·m
Recommended diameter for attachment bolts, mm	G	10 mm
Recommended diameter for attachment bolts, inch	G	0.375 in

## Compatible products

### Spare part

Insert bearing with set screw locking and extended inner ring

[YAR 206-2F](#)

### Recommended product

End cover for bearing units

[ECY 206](#)

## X-ON Electronics

Largest Supplier of Electrical and Electronic Components

*Click to view similar products for [Screws & Fasteners](#) category:*

*Click to view products by [SKF](#) manufacturer:*

Other Similar products are found below :

[5721-1440-1/4-SS](#) [0098.0094](#) [0098.9206](#) [59781-6](#) [0098.9212](#) [6292-1](#) [690432-1](#) [699161-000](#) [700989](#) [7230-3](#) [72609-02](#) [CAPTIVE JACK](#)  
[SCREW](#) [73542-02](#) [CAPTIVE SHORT THUMBSCREW](#) [745564-1](#) [7680](#) [809704-1](#) [8700](#) [8860220](#) [9521](#) [992763-3](#) [1-18024-0](#) [A168P1](#) [1-](#)  
[24921-1](#) [125416-1](#) [1301810313](#) [1-306131-6](#) [1301830042](#) [1458](#) [1-59781-3](#) [18029-4](#) [NBX-10953](#) [NUT-16-3P-HEX-NICKEL](#) [20993.45098](#)  
[21004-1](#) [21009-4](#) [21014-5](#) [21021-2](#) [CA24037A01](#) [22987-4](#) [240632-1](#) [240632-2](#) [89506-9801](#) [2504](#) [9031](#) [9-1393249-2](#) [2.5NZPNBU](#) [26-](#)  
[0048PP](#) [27210-1](#) [27210-8](#) [9318](#) [9520](#)