

Image may differ from product. See technical specification for details.

UCFL 207/H

Oval flange ball bearing unit with extended inner ring and set screw locking, cast iron housing, JIS

These oval flanged ball bearing units are compliant with JIS standards. They consist of an insert bearing, with an extended inner ring and set screw locking, and are suitable for applications where the direction of rotation is constant or alternating. The bearing is mounted in a cast iron housing, which can be bolted to a machine wall or frame. Ball bearing units can accommodate moderate initial misalignment, but normally do not permit axial displacement.

- Resist high levels of contamination
- Designed for high temperatures and speeds
- Accommodate relatively heavy loads
- Cost-effective

Overview

Dimensions

Shaft diameter	35 mm
Housing overall width	32 mm
Width, total	44.4 mm
Centre distance between bolt holes	130 mm
Bearing width, total	42.9 mm

Properties

Housing type	Flanged
Flanged housing type	Oval
Number of bolt holes for fasteners	2
Fastening bolt hole type	Plain
Retaining feature, inner ring	Set screws
Bore type	Cylindrical
Rubber seating ring	Without
Material, housing	Cast iron
Material, bearing	Bearing steel
Coating	Without
Sealing, bearing	Seal and flinger on both sides
Sealing type	Contact, standard
Sealing, unit	Optional end cover
Lubricant	Grease
Relubrication hole	With
Grease fitting	With

Performance

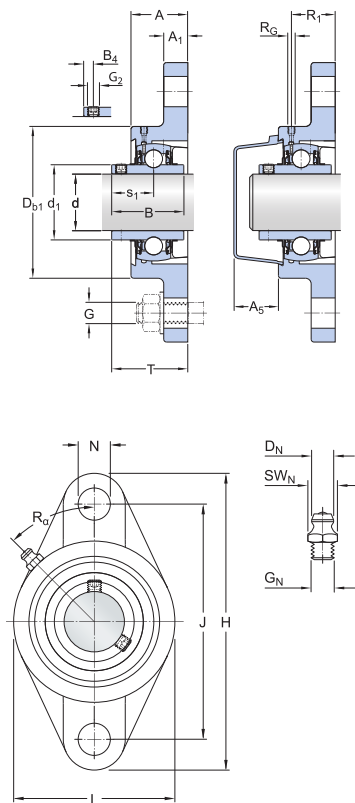
Basic dynamic load rating	25.5 kN
Basic static load rating	15.3 kN
Limiting speed	4 300 r/min
Note	Limiting speed with shaft tolerance h6

Logistics

Product net weight	1.18 kg
eClass code	23-05-16-02
UNSPSC code	31171536

Technical specification

Compliance with standard	JIS
Purpose specific	For material handling applications
Material, housing	Cast iron
Sealing, bearing	Seal and flinger on both sides
Sealing type, bearing	Contact, standard
Sealing, unit	Optional end cover
Coating	Without



Dimensions

d	35 mm	Bore diameter
d ₁	≈ 46.1 mm	Outer diameter of inner ring
A	32 mm	Width of housing
A ₁	14 mm	Flange width
A ₅	24.5 mm	Width including end cover
B	42.9 mm	Width of inner ring
B ₄	6 mm	Distance from locking device side face to thread centre
D _{b1}	90 mm	Top external diameter
H	161 mm	Overall height
J	130 mm	Distance between attachment bolts
L	90 mm	Overall length
N	16 mm	Diameter of attachment bolt hole
s ₁	25.4 mm	Distance from locking device side face to raceway centre
T	44.4 mm	Overall width

THREADED HOLE

R _G	1/4-28 UNF	Housing thread for grease fitting
R ₁	22.5 mm	Axial position of the housing thread

GREASE FITTING

D _N	6.6 mm	Diameter of head sphere of grease fitting
SW _N	7.94 mm	Hexagonal key size for the grease fitting
G _N	1/4-28 UNF	Thread of grease fitting

Calculation data

Basic dynamic load rating	C	25.5 kN
Basic static load rating	C ₀	15.3 kN
Fatigue load limit	P _u	0.655 kN
Limiting speed		4 300 r/min
		Limiting speed with shaft tolerance h6

Mass

Mass bearing unit	1.15 kg
-------------------	---------

Mounting information

Set screw	G ₂	M6x0.75
Hexagonal key size for set screw		3 mm
Recommended tightening torque for set screw		4 N·m
Recommended diameter for attachment bolts, mm	G	14 mm
Recommended diameter for attachment bolts, inch	G	0.5625 in

Compatible products

Spare part

Insert bearing with set screw
locking and extended inner ring

[YAR 207-2F](#)

Recommended product

End cover for bearing units

[ECY 207](#)

X-ON Electronics

Largest Supplier of Electrical and Electronic Components

Click to view similar products for [Screws & Fasteners](#) category:

Click to view products by [SKF](#) manufacturer:

Other Similar products are found below :

[5721-1440-1/4-SS](#) [0098.0094](#) [0098.9206](#) [59781-6](#) [0098.9212](#) [6292-1](#) [690432-1](#) [699161-000](#) [700989](#) [7230-3](#) [72609-02](#) [CAPTIVE JACK](#)
[SCREW](#) [73542-02](#) [CAPTIVE SHORT THUMBSCREW](#) [745564-1](#) [7680](#) [809704-1](#) [8700](#) [8860220](#) [9521](#) [992763-3](#) [1-18024-0](#) [A168P1](#) [1-](#)
[24921-1](#) [125416-1](#) [1301810313](#) [1-306131-6](#) [1301830042](#) [1458](#) [1-59781-3](#) [18029-4](#) [NBX-10953](#) [NUT-16-3P-HEX-NICKEL](#) [20993.45098](#)
[21004-1](#) [21009-4](#) [21014-5](#) [21021-2](#) [CA24037A01](#) [22987-4](#) [240632-1](#) [240632-2](#) [89506-9801](#) [2504](#) [9031](#) [9-1393249-2](#) [2.5NZPNBU](#) [26-](#)
[0048PP](#) [27210-1](#) [27210-8](#) [9318](#) [9520](#)