



Image may differ from product. See technical specification for details.

6201-2RSH

Deep groove ball bearing with seals

Single row deep groove ball bearings with seals on one or both sides are particularly versatile, have low friction and are optimized for low noise and low vibration, which enables high rotational speeds. They accommodate radial and axial loads in both directions, are easy to mount, and require less maintenance than other bearing types. The integral sealing can significantly prolong bearing service life because it keeps lubricant in the bearings and contaminants out.

- Integral sealing prolongs bearing service life
- Simple, versatile and robust design
- Low friction and high-speed capability
- Accommodate radial and axial loads in both directions
- Require little maintenance

Overview

Dimensions

| | |
|------------------|-------|
| Bore diameter | 12 mm |
| Outside diameter | 32 mm |
| Width | 10 mm |

Properties

| | |
|--------------------------------------|--------------------|
| Filling slots | Without |
| Number of rows | 1 |
| Locating feature, bearing outer ring | None |
| Bore type | Cylindrical |
| Cage | Sheet metal |
| Matched arrangement | No |
| Radial internal clearance | CN |
| Tolerance class | Normal |
| Material, bearing | Bearing steel |
| Coating | Without |
| Sealing | Seal on both sides |
| Sealing type | Contact |
| Lubricant | Grease |
| Relubrication feature | Without |

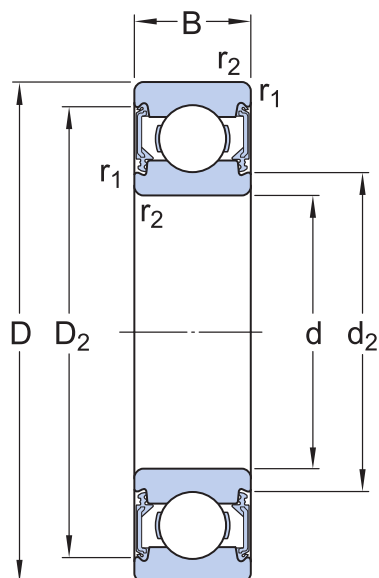
Performance

| | |
|---------------------------|--------------|
| Basic dynamic load rating | 7.28 kN |
| Basic static load rating | 3.1 kN |
| Limiting speed | 15 000 r/min |
| SKF performance class | SKF Explorer |

Logistics

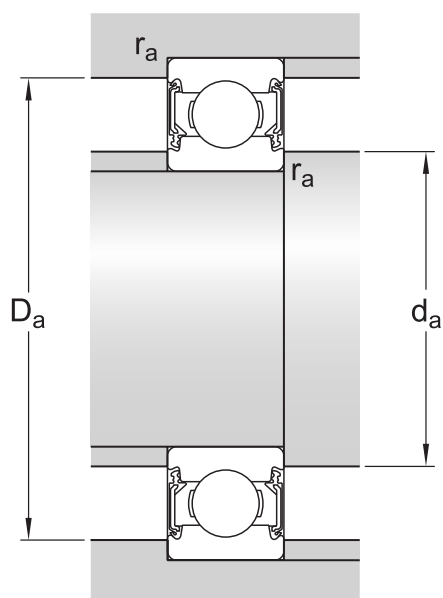
| | |
|--------------------|-------------|
| Product net weight | 0.0365 kg |
| eClass code | 23-05-08-01 |
| UNSPSC code | 31171504 |

Technical specification



Dimensions

| | | |
|------------------|-------------|-------------------|
| d | 12 mm | Bore diameter |
| D | 32 mm | Outside diameter |
| B | 10 mm | Width |
| d ₂ | ≈ 16.2 mm | Recess diameter |
| D ₂ | ≈ 27.34 mm | Recess diameter |
| r _{1,2} | min. 0.6 mm | Chamfer dimension |



Abutment dimensions

| | | |
|----------------|--------------|-----------------------------------|
| d _a | min. 16.2 mm | Diameter of shaft abutment |
| d _a | max. 16.5 mm | Diameter of shaft abutment |
| D _a | max. 27.8 mm | Diameter of housing abutment |
| r _a | max. 0.6 mm | Radius of shaft or housing fillet |

Calculation data

| | | |
|---------------------------|----------------|--------------|
| SKF performance class | | SKF Explorer |
| Basic dynamic load rating | C | 7.28 kN |
| Basic static load rating | C ₀ | 3.1 kN |
| Fatigue load limit | P _u | 0.132 kN |
| Limiting speed | | 15 000 r/min |
| Minimum load factor | k _r | 0.025 |
| Calculation factor | f ₀ | 12 |

Mass

| | |
|--------------|----------|
| Mass bearing | 0.038 kg |
|--------------|----------|

Tolerance class

| | |
|------------------------|----|
| Dimensional tolerances | P6 |
| Radial run-out | P5 |

X-ON Electronics

Largest Supplier of Electrical and Electronic Components

Click to view similar products for [Screws & Fasteners](#) category:

Click to view products by [SKF](#) manufacturer:

Other Similar products are found below :

[5721-1440-1/4-SS](#) [0098.0094](#) [0098.9206](#) [59781-6](#) [0098.9212](#) [6292-1](#) [690432-1](#) [699161-000](#) [700989](#) [7230-3](#) [72609-02](#) [CAPTIVE JACK](#)
[SCREW](#) [73542-02](#) [CAPTIVE SHORT THUMBSCREW](#) [745564-1](#) [7680](#) [809704-1](#) [8700](#) [8860220](#) [9521](#) [992763-3](#) [1-18024-0](#) [A168P1](#) [1-](#)
[24921-1](#) [125416-1](#) [1301810313](#) [1-306131-6](#) [1301830042](#) [1458](#) [1-59781-3](#) [18029-4](#) [NBX-10953](#) [NUT-16-3P-HEX-NICKEL](#) [20993.45098](#)
[21004-1](#) [21009-4](#) [21014-5](#) [21021-2](#) [CA24037A01](#) [22987-4](#) [240632-1](#) [240632-2](#) [89506-9801](#) [2504](#) [9031](#) [9-1393249-2](#) [2.5NZPNBU](#) [26-](#)
[0048PP](#) [27210-1](#) [27210-8](#) [9318](#) [9520](#)