



Image may differ from product. See technical specification for details.

W 624-2RS1

Stainless steel deep groove ball bearing with integral sealing

Stainless steel single row deep groove ball bearing with seals or shields on both sides, provide greater chemical and corrosion resistance. As with deep groove ball bearings generally, they are particularly versatile, have low friction and are optimized for low noise and low vibration, which enables high rotational speeds. They accommodate radial and axial loads in both directions, are easy to mount, and require less maintenance than other bearing types. The integral sealing can significantly prolong bearing service life because it keeps lubricant in the bearings and contaminants out.

- Greater chemical and corrosion resistance
- Integral sealing prolongs bearing service life
- Typical benefits of single row deep groove ball bearings

Overview

Dimensions

| | |
|------------------|-------|
| Bore diameter | 4 mm |
| Outside diameter | 13 mm |
| Width | 5 mm |

Properties

| | |
|--------------------------------------|--------------------|
| Filling slots | Without |
| Number of rows | 1 |
| Locating feature, bearing outer ring | None |
| Bore type | Cylindrical |
| Cage | Sheet metal |
| Matched arrangement | No |
| Radial internal clearance | CN |
| Tolerance class | Normal |
| Material, bearing | Stainless steel |
| Coating | Without |
| Sealing | Seal on both sides |
| Sealing type | Contact |
| Lubricant | Grease |
| Relubrication feature | Without |

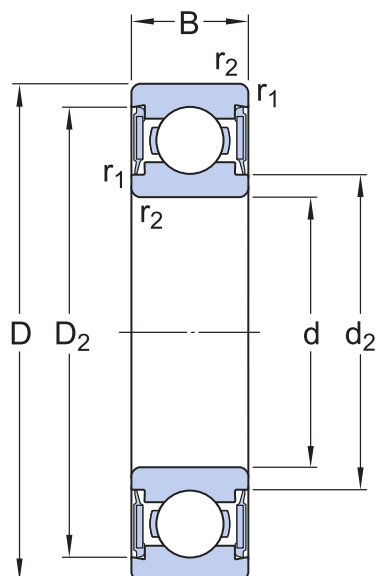
Performance

| | |
|---------------------------|--------------|
| Basic dynamic load rating | 0.741 kN |
| Basic static load rating | 0.25 kN |
| Limiting speed | 32 000 r/min |

Logistics

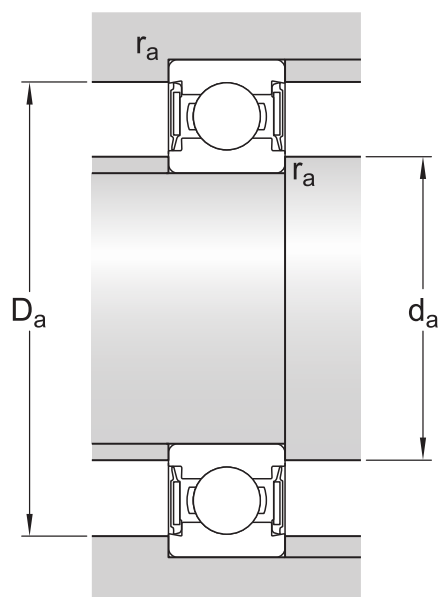
| | |
|--------------------|-------------|
| Product net weight | 0.0034 kg |
| eClass code | 23-05-08-01 |
| UNSPSC code | 31171504 |

Technical specification



Dimensions

| | | |
|------------------|-------------|-------------------|
| d | 4 mm | Bore diameter |
| D | 13 mm | Outside diameter |
| B | 5 mm | Width |
| d ₂ | ≈ 6 mm | Recess diameter |
| D ₂ | ≈ 11.35 mm | Recess diameter |
| r _{1,2} | min. 0.2 mm | Chamfer dimension |



Abutment dimensions

| | | |
|----------------|--------------|-----------------------------------|
| d _a | min. 5.6 mm | Diameter of shaft abutment |
| d _a | max. 5.9 mm | Diameter of shaft abutment |
| D _a | max. 11.5 mm | Diameter of housing abutment |
| r _a | max. 0.2 mm | Radius of shaft or housing fillet |

Calculation data

| | | |
|---------------------------|----------------|--------------|
| Basic dynamic load rating | C | 0.741 kN |
| Basic static load rating | C ₀ | 0.25 kN |
| Fatigue load limit | P _u | 0.011 kN |
| Limiting speed | | 32 000 r/min |
| Minimum load factor | k _r | 0.03 |
| Calculation factor | f ₀ | 6.4 |

Mass

| | |
|--------------|-----------|
| Mass bearing | 0.0031 kg |
|--------------|-----------|

Tolerance class

Dimensional tolerances

Normal

Radial run-out

Normal

X-ON Electronics

Largest Supplier of Electrical and Electronic Components

Click to view similar products for [Screws & Fasteners](#) category:

Click to view products by [SKF](#) manufacturer:

Other Similar products are found below :

[5721-1440-1/4-SS](#) [0098.0094](#) [0098.9206](#) [59781-6](#) [0098.9212](#) [6292-1](#) [690432-1](#) [699161-000](#) [700989](#) [7230-3](#) [72609-02](#) [CAPTIVE JACK](#)
[SCREW](#) [73542-02](#) [CAPTIVE SHORT THUMBSCREW](#) [745564-1](#) [7680](#) [809704-1](#) [8700](#) [8860220](#) [9521](#) [992763-3](#) [1-18024-0](#) [A168P1](#) [1-](#)
[24921-1](#) [125416-1](#) [1301810313](#) [1-306131-6](#) [1301830042](#) [1458](#) [1-59781-3](#) [18029-4](#) [NBX-10953](#) [NUT-16-3P-HEX-NICKEL](#) [20993.45098](#)
[21004-1](#) [21009-4](#) [21014-5](#) [21021-2](#) [CA24037A01](#) [22987-4](#) [240632-1](#) [240632-2](#) [89506-9801](#) [2504](#) [9031](#) [9-1393249-2](#) [2.5NZPNBU](#) [26-](#)
[0048PP](#) [27210-1](#) [27210-8](#) [9318](#) [9520](#)