



Image may differ from product. See technical specification for details.

## W 627-2Z

### Stainless steel deep groove ball bearing with integral sealing

Stainless steel single row deep groove ball bearing with seals or shields on both sides, provide greater chemical and corrosion resistance. As with deep groove ball bearings generally, they are particularly versatile, have low friction and are optimized for low noise and low vibration, which enables high rotational speeds. They accommodate radial and axial loads in both directions, are easy to mount, and require less maintenance than other bearing types. The integral sealing can significantly prolong bearing service life because it keeps lubricant in the bearings and contaminants out.

- Greater chemical and corrosion resistance
- Integral sealing prolongs bearing service life
- Typical benefits of single row deep groove ball bearings

# Overview

## Dimensions

Bore diameter	7 mm
Outside diameter	22 mm
Width	7 mm

## Properties

Filling slots	Without
Number of rows	1
Locating feature, bearing outer ring	None
Bore type	Cylindrical
Cage	Sheet metal
Matched arrangement	No
Radial internal clearance	CN
Tolerance class	Normal
Material, bearing	Stainless steel
Coating	Without
Sealing	Shield on both sides
Sealing type	Non-contact
Lubricant	Grease
Relubrication feature	Without

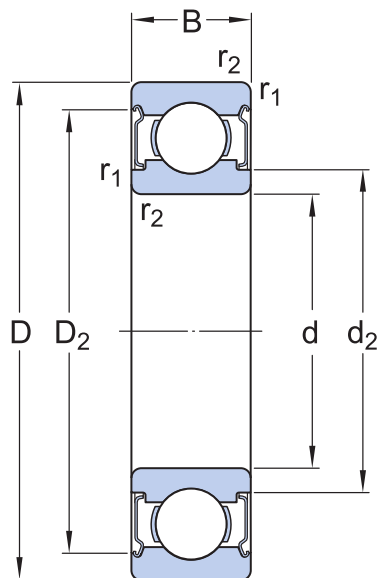
## Performance

Basic dynamic load rating	1.99 kN
Basic static load rating	0.78 kN
Reference speed	75 000 r/min
Limiting speed	38 000 r/min

## Logistics

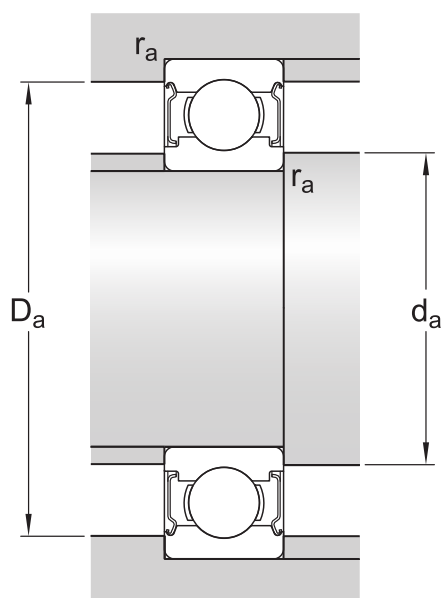
Product net weight	0.0114 kg
eClass code	23-05-08-01
UNSPSC code	31171504

# Technical specification



## Dimensions

d	7 mm	Bore diameter
D	22 mm	Outside diameter
B	7 mm	Width
d <sub>2</sub>	≈ 10.5 mm	Recess diameter
D <sub>2</sub>	≈ 19.03 mm	Recess diameter
r <sub>1,2</sub>	min. 0.3 mm	Chamfer dimension



## Abutment dimensions

d <sub>a</sub>	min. 9 mm	Diameter of shaft abutment
d <sub>a</sub>	max. 10.4 mm	Diameter of shaft abutment
D <sub>a</sub>	max. 20 mm	Diameter of housing abutment
r <sub>a</sub>	max. 0.3 mm	Radius of shaft or housing fillet

## Calculation data

Basic dynamic load rating	C	1.99 kN
Basic static load rating	C <sub>0</sub>	0.78 kN
Fatigue load limit	P <sub>u</sub>	0.034 kN
Reference speed		75 000 r/min
Limiting speed		38 000 r/min
Minimum load factor	k <sub>r</sub>	0.03
Calculation factor	f <sub>0</sub>	7.2

## Mass

Mass bearing	0.012 kg
--------------	----------

# Tolerance class

---

Dimensional tolerances	Normal
Radial run-out	Normal

---

## X-ON Electronics

Largest Supplier of Electrical and Electronic Components

*Click to view similar products for [Screws & Fasteners](#) category:*

*Click to view products by [SKF](#) manufacturer:*

Other Similar products are found below :

[5721-1440-1/4-SS](#) [0098.0094](#) [0098.9206](#) [59781-6](#) [0098.9212](#) [6292-1](#) [690432-1](#) [699161-000](#) [700989](#) [7230-3](#) [72609-02](#) [CAPTIVE JACK](#)  
[SCREW](#) [73542-02](#) [CAPTIVE SHORT THUMBSCREW](#) [745564-1](#) [7680](#) [809704-1](#) [8700](#) [8860220](#) [9521](#) [992763-3](#) [1-18024-0](#) [A168P1](#) [1-](#)  
[24921-1](#) [125416-1](#) [1301810313](#) [1-306131-6](#) [1301830042](#) [1458](#) [1-59781-3](#) [18029-4](#) [NBX-10953](#) [NUT-16-3P-HEX-NICKEL](#) [20993.45098](#)  
[21004-1](#) [21009-4](#) [21014-5](#) [21021-2](#) [CA24037A01](#) [22987-4](#) [240632-1](#) [240632-2](#) [89506-9801](#) [2504](#) [9031](#) [9-1393249-2](#) [2.5NZPNBU](#) [26-](#)  
[0048PP](#) [27210-1](#) [27210-8](#) [9318](#) [9520](#)