

**DATA SHEET**  
**SE5005L: 5 GHz Power Amplifier with Power Detector**

**Applications**

- DSSS 5 GHz WLAN (IEEE802.11a)
- Access Points, PCMCIA, PC cards

**Features**

- 5GHz Matched 18dBm Power Amplifier
- Integrated power amplifier enable pin (V<sub>EN</sub>)
- Buffered, temperature compensated power detector
- High and Low-Linearity mode
- 3% EVM, @18dBm, 64 QAM, 54 Mbps
- 30 dB Typical Gain
- DC Blocked
- Lead Free and RoHS compliant, halogen free package
- 16 pin 3 mm x 3 mm x 0.9 mm QFN, MSL 3

**Product Description**

The SE5005L is a 5GHz Power amplifier offering high linear power for wireless LAN applications.

The SE5005L offers a high level of integration for a simplified design, providing quicker time to market and higher application board production yield. The device integrates all matching elements, a temperature compensated, load insensitive power detector with 20dB of dynamic range, and a 3.8GHz notch filter.

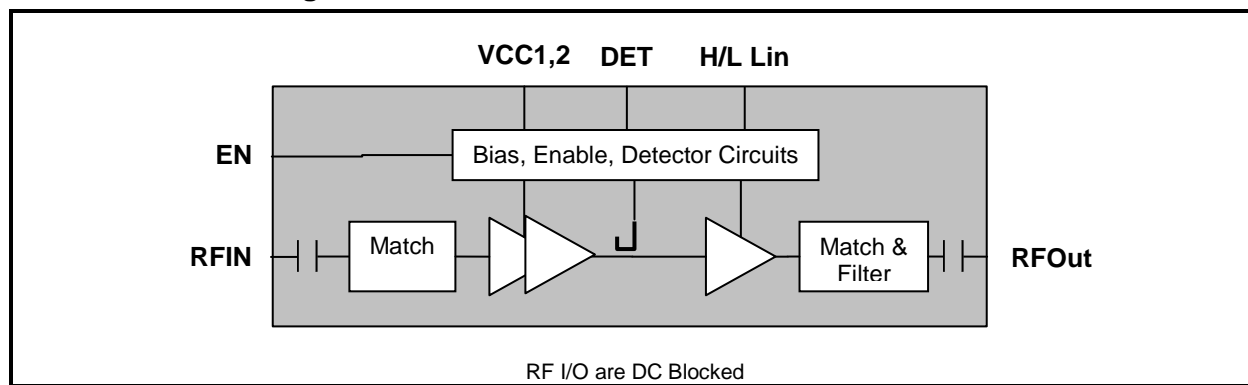
For wireless LAN applications, the device meets the requirements of IEEE802.11a and delivers approximately 18dBm of linear output power. It also features a linearity mode-control function to reduce current consumption at low power.

The SE5005L integrates the reference voltage generator, allowing for a true CMOS compatible digital EN (enable) function to turn the power amplifier on and off.

**Ordering Information**

Part Number	Package	Remark
SE5005L	16 Pin QFN	Samples
SE5005L-R	16 Pin QFN	Tape and Reel
SE5005L-EK1	Evaluation Kit	Standard

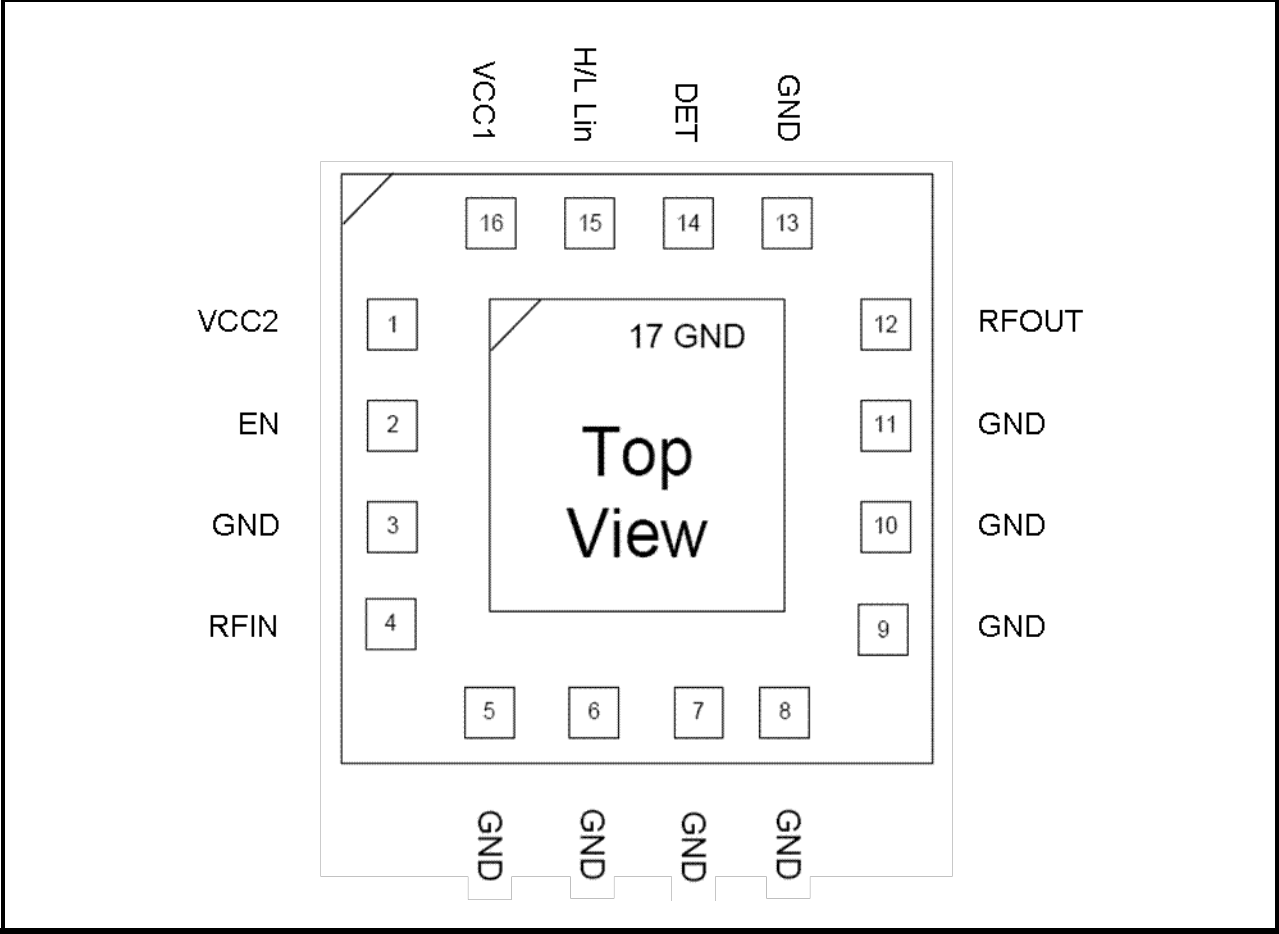
**Functional Block Diagram**



**Figure 1: Functional Block Diagram**

**DATA SHEET**  
**SE5005L: 5 GHz Power Amplifier with Power Detector**

**Pin Out Diagram**



**Figure 2: SE5005L Pin-Out Diagram**

**DATA SHEET**  
**SE5005L: 5 GHz Power Amplifier with Power Detector**

**Pin Out Description**

Pin No.	Name	Description
1	VCC2	Bias & Driver Supply Voltage
2	EN	PA Enable
3	GND	Ground
4	RFIN	TX RF Input Signal
5	GND	Ground
6	GND	Ground
7	GND	Ground
8	GND	Ground

Pin No.	Name	Description
9	GND	Ground
10	GND	Ground
11	GND	Ground
12	RFOUT	5GHz Antenna output
13	GND	Ground
14	DET	Power Detector Output
15	H/L Lin	High-Low linearity Control
16	VCC1	Power Stage Supply Voltage

**Absolute Maximum Ratings**

These are stress ratings only. Exposure to stresses beyond these maximum ratings for a long period of time may cause permanent damage to, or affect the reliability of the device. Avoid operating the device outside the recommended operating conditions defined below. This device is ESD sensitive. Handling and assembly of this device should be at ESD protected workstations.

Symbol	Definition	Min.	Max.	Unit
V <sub>CC</sub>	Supply Voltage on pins VCC1, VCC2	-0.3	4.2	V
EN	DC input on Enable	-0.3	3.6	V
RFIN	RF Input Power, RFout into 50Ω match	-	12	dBm
T <sub>STG</sub>	Storage Temperature Range	-40	150	°C
ESD <sub>HBM</sub>	JEDEC JESD22-A114 all pins	-	350	V

**Recommended Operating Conditions**

Symbol	Parameter	Min.	Max.	Unit
V <sub>CC</sub>	Supply Voltage on pins VCC1, VCC2	3.0	3.6	V
T <sub>A</sub>	Ambient Temperature	-40	85	°C

**DATA SHEET**  
**SE5005L: 5 GHz Power Amplifier with Power Detector**

**Control Logic Characteristics**

Conditions:  $V_{CC} = V_{EN} = 3.3\text{ V}$ ,  $T_A = 25\text{ }^\circ\text{C}$ , as measured on Skyworks Solutions' SE5005L-EV1 evaluation board, unless otherwise noted.

Symbol	Parameter	Conditions	Min.	Typ.	Max.	Unit
I <sub>CC-802.11a</sub>	Supply Current	P <sub>OUT</sub> = 18 dBm, 54 Mbps, 64 QAM, H/L Lin = 3.3V (High Linearity Mode)	-	195	-	mA
		P <sub>OUT</sub> = 14 dBm, 54 Mbps, 64 QAM, H/L Lin = 0V (Low Linearity Mode)	-	140	-	
		P <sub>OUT</sub> = 5 dBm, 54 Mbps, 64 QAM, H/L Lin = 0V (Low Linearity Mode)	-	108	-	
I <sub>OFF</sub>	Supply Current	V <sub>EN</sub> = 0 V, No RF	-	0.5	10	μA
V <sub>ENH</sub>	Logic High Voltage	-	2.8	-	V <sub>CC</sub>	V
V <sub>ENL</sub>	Logic Low Voltage	-	-0.3	-	0.3	V
I <sub>ENH</sub>	Input Current Logic High Voltage	-	-	-	400	μA
I <sub>ENL</sub>	Input Current Logic Low Voltage	-	-	<1	-	μA

**AC Electrical Characteristics**

**Transmit Characteristics**

Conditions:  $V_{CC} = V_{EN} = H/L\text{ Lin} = 3.3\text{ V}$ ,  $T_A = 25\text{ }^\circ\text{C}$ , as measured on Skyworks Solutions' SE5005L-EV1 evaluation board, unless otherwise noted

Symbol	Parameter	Conditions	Min.	Typ.	Max.	Unit		
f <sub>L-U</sub>	Frequency Range	-	5.15	-	5.75	GHz		
P <sub>OUT</sub>	Output Power	High Linearity Mode H/L Lin = 3.3V	802.11a, 64QAM	EVM = 3%	-	18	dBm	
				EVM ≤ 2.2%	-	16		
			MCS0, HT20, mask compliant		-	22		-
		MCS0, HT40, mask compliant		-	21	-		
		Low Linearity Mode H/L Lin = 0V	802.11a, 64QAM	EVM = 3%	-	17		-
				EVM ≤ 2.2%	-	15		-
MCS0, HT20, mask compliant			-	20	-			
MCS0, HT40, mask compliant		-	19	0				
P <sub>1dB</sub>	Output 1dB compression point	No modulation	22	25	-	dBm		
S <sub>11</sub>	Input Return Loss	P <sub>IN</sub> = -25 dBm	10	14	-	dB		

**DATA SHEET**  
**SE5005L: 5 GHz Power Amplifier with Power Detector**

Symbol	Parameter	Conditions	Min.	Typ.	Max.	Unit
S <sub>21</sub>	Small Signal Gain, P <sub>IN</sub> = -25dBm	High Linearity Mode	27	-	34	dB
		Low Linearity Mode	23	-	32	
ΔS <sub>21</sub>	Small Signal Gain Variation	Gain variation over single 40MHz channel	-	-	0.5	dB
		Gain Variation over band	-1.5	-	1.5	
S <sub>21_3.8</sub>	Out of Band Gain	Gain at 3.8GHz	-	-	10	dB
2f	Harmonic	P <sub>OUT</sub> = 18 dBm, OFDM	-	-50	-42	dBm/MHz
3f			-	-60	-42	
t <sub>r</sub> , t <sub>f</sub>	Rise and Fall Time	-	-	0.5	-	us
STAB	Stability	P <sub>OUT</sub> = 18 dBm, 54 Mbps, 64 QAM, VSWR = 6:1, all phases	All non-harmonically related outputs less than -50 dBc/100 kHz			
Ruggedness	Tolerance to output load mismatching	P <sub>IN</sub> = 12dBm, CW, VSWR = 6:1, all phases	No damage			
Robust	Tolerance to input power		No damage			

**Power Detector Characteristics**

Conditions: V<sub>CC</sub> = V<sub>EN</sub> = 3.3V, f = 5.4 GHz, T<sub>A</sub> = 25 °C, as measured on Skyworks Solutions' SE5005L-EV1 evaluation board, unless otherwise noted

Symbol	Parameter	Conditions	Min.	Typ.	Max.	Unit
PDR	P <sub>OUT</sub> detect range	-	0	-	P <sub>1dB</sub>	dBm
VDET <sub>22</sub>	Detector voltage	P <sub>OUT</sub> = 22 dBm	0.80	-	1.0	V
VDET <sub>16</sub>	Detector voltage	P <sub>OUT</sub> = 16 dBm	0.55	-	0.60	V
VDET <sub>2</sub>	Detector voltage	P <sub>OUT</sub> = 2 dBm	0.25	-	0.35	V
PDZ <sub>OUT</sub>	Output Impedance	-	-	5	-	KΩ



DATA SHEET  
SE5005L: 5 GHz Power Amplifier with Power Detector

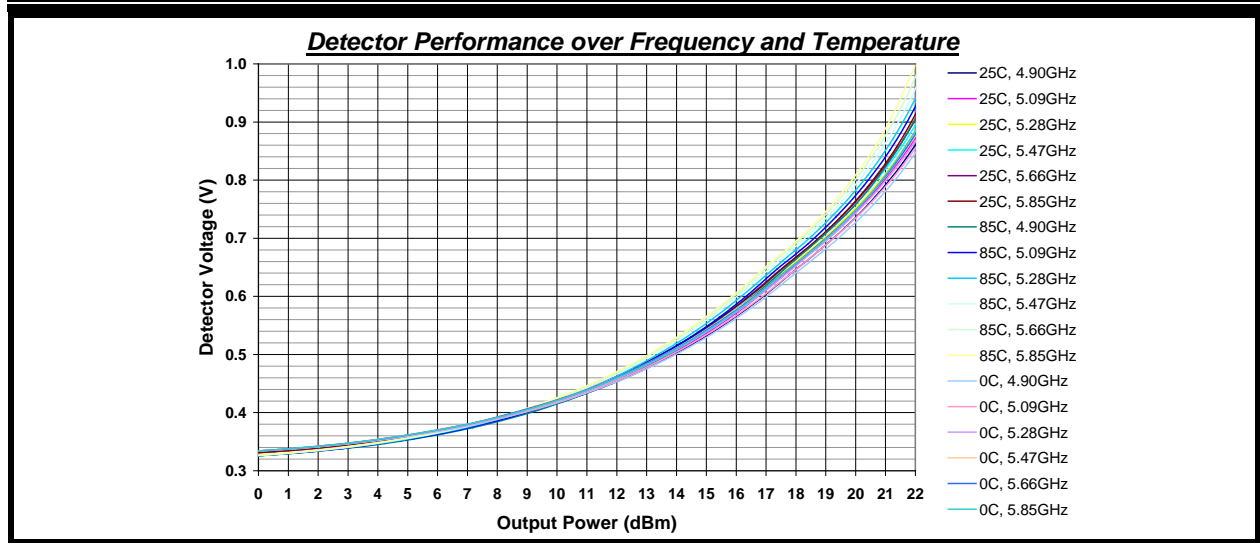


Figure 3: SE5005L Power Detector Sweep over Temperature & Frequency

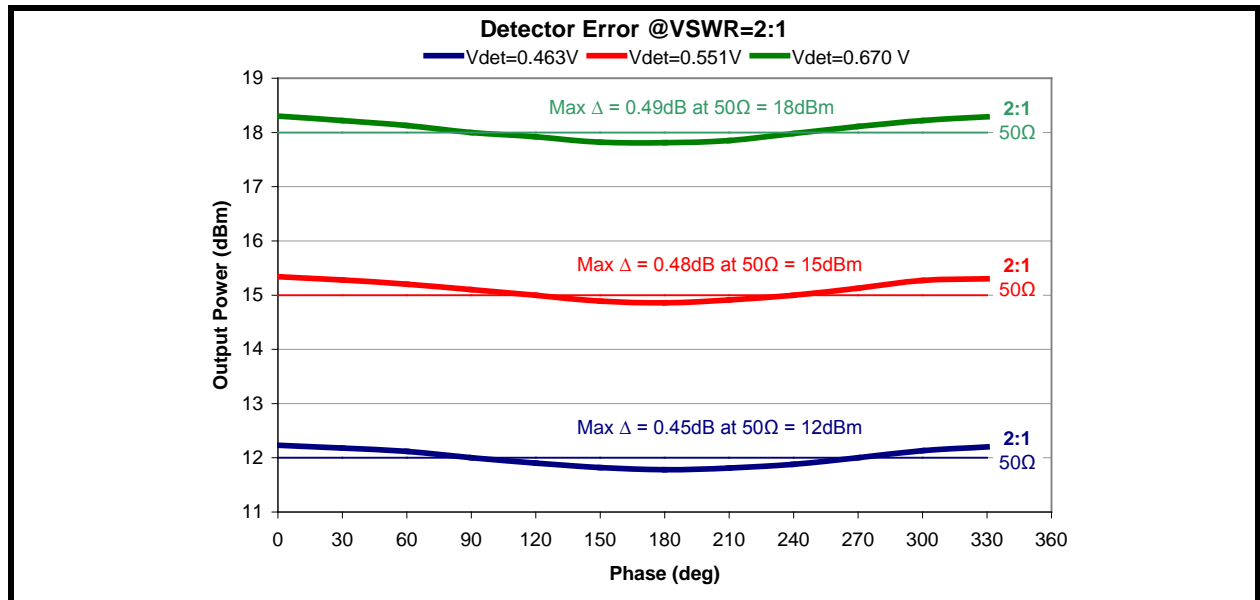


Figure 4: SE5005L Power Detector Accuracy at 2:1 Mismatch



**DATA SHEET**  
**SE5005L: 5 GHz Power Amplifier with Power Detector**

**Package Diagram**

This package is Pb free and RoHS compliant. The product is rated MSL3.

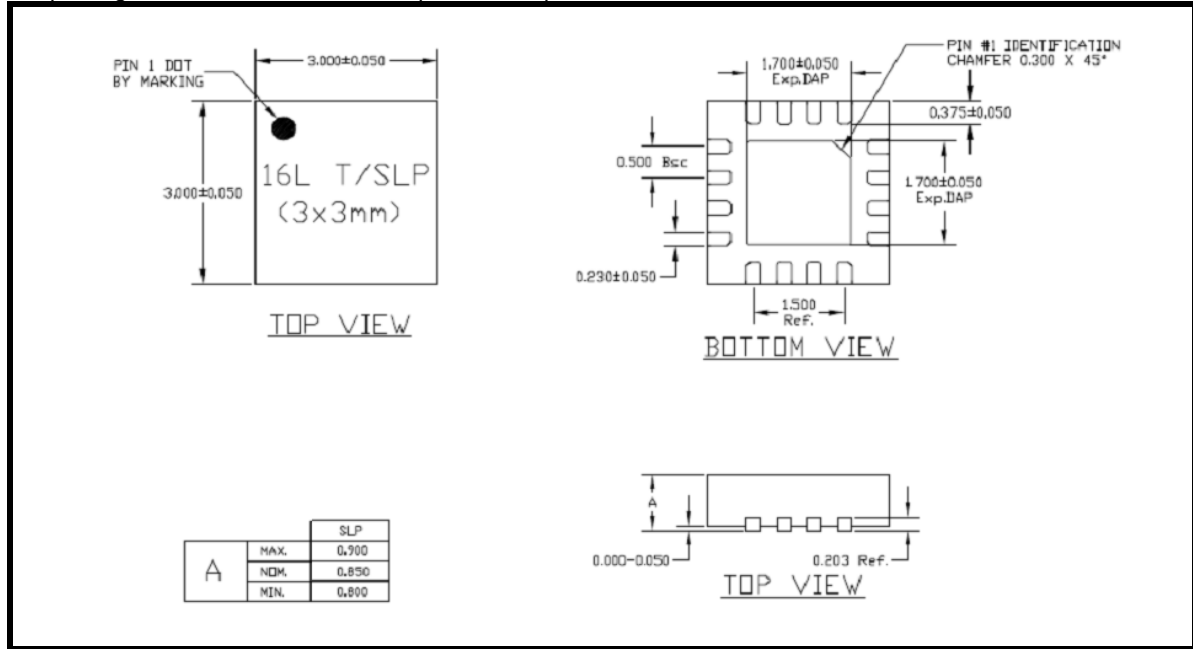


Figure 5: SE5005L Package Diagram

**Recommended Land and Solder Patterns**

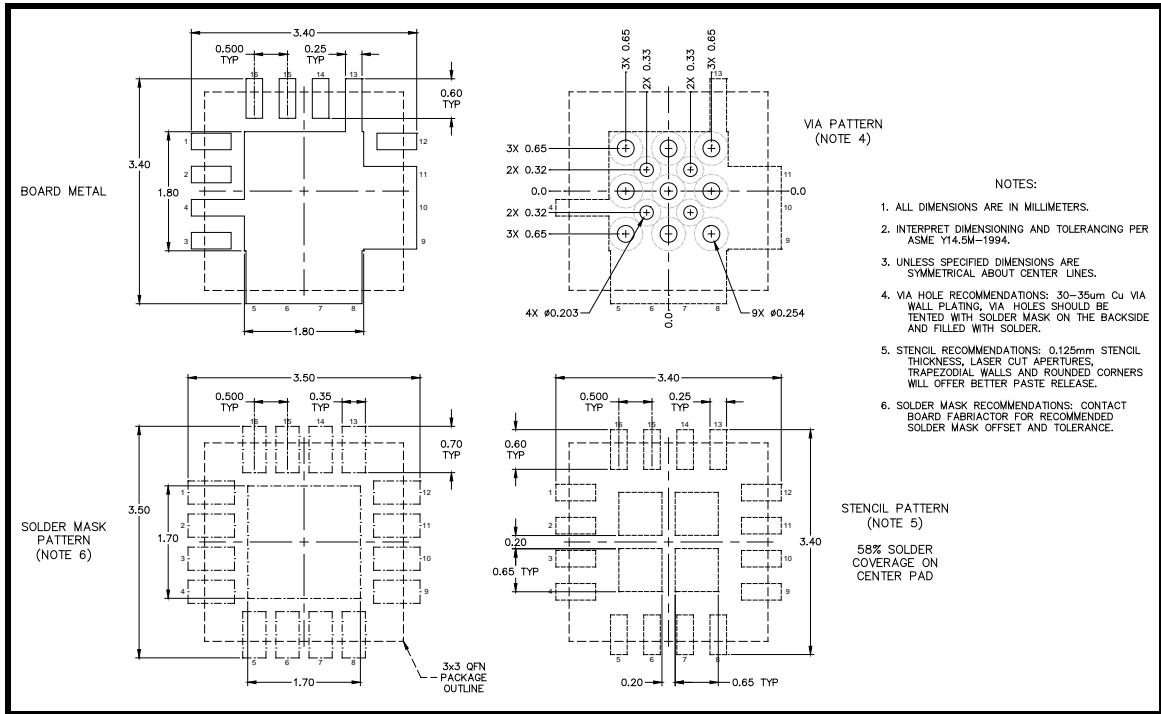


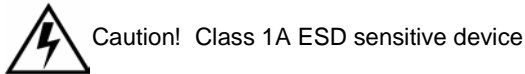
Figure 6: SE5005L Recommended Land and Solder Pattern

**DATA SHEET**  
**SE5005L: 5 GHz Power Amplifier with Power Detector**

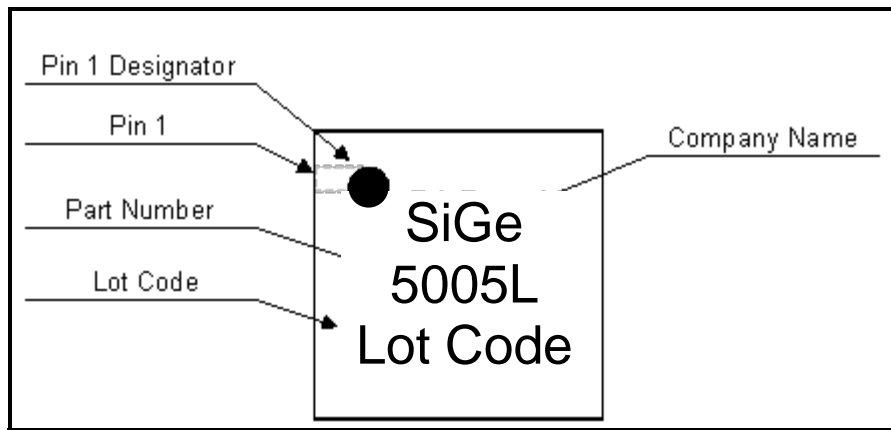
**Package Handling Information**

Because of its sensitivity to moisture absorption, instructions on the shipping container label must be followed regarding exposure to moisture after the container seal is broken, otherwise, problems related to moisture absorption may occur when the part is subjected to high temperature during solder assembly. The SE2597L is capable of withstanding a Pb free solder reflow. Care must be taken when attaching this product, whether it is done manually or in a production solder reflow environment. If the part is manually attached, precaution should be taken to insure that the device is not subjected to temperatures above its rated peak temperature for an extended period of time. For details on both attachment techniques, precautions, and handling procedures recommended, please refer to:

- “Quad Flat No-Lead Module Solder Reflow & Rework Information”, *Document Number QAD-00045*
- “Handling, Packing, Shipping and Use of Moisture Sensitive QFN”, *Document Number QAD-00044*



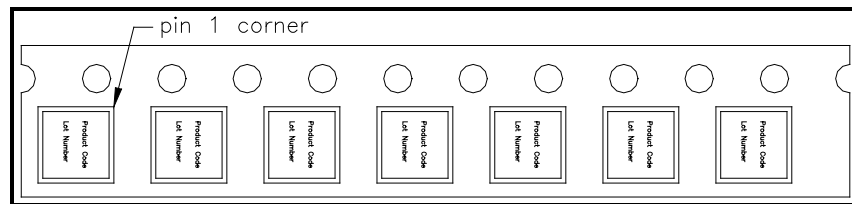
**Branding Information**



**Figure 7: SE5005L Branding**

**Tape and Reel Information**

Parameter	Value
Devices Per Reel	3000
Reel Diameter	13 inches
Tape Width	12 millimeters



**Figure 8: SE5005L-R Tape and Reel Information**





## DATA SHEET

### SE5005L: 5 GHz Power Amplifier with Power Detector

---

Copyright © 2012 Skyworks Solutions, Inc. All Rights Reserved.

Information in this document is provided in connection with Skyworks Solutions, Inc. ("Skyworks") products or services. These materials, including the information contained herein, are provided by Skyworks as a service to its customers and may be used for informational purposes only by the customer. Skyworks assumes no responsibility for errors or omissions in these materials or the information contained herein. Skyworks may change its documentation, products, services, specifications or product descriptions at any time, without notice. Skyworks makes no commitment to update the materials or information and shall have no responsibility whatsoever for conflicts, incompatibilities, or other difficulties arising from any future changes.

No license, whether express, implied, by estoppel or otherwise, is granted to any intellectual property rights by this document. Skyworks assumes no liability for any materials, products or information provided hereunder, including the sale, distribution, reproduction or use of Skyworks products, information or materials, except as may be provided in Skyworks Terms and Conditions of Sale.

THE MATERIALS, PRODUCTS AND INFORMATION ARE PROVIDED "AS IS" WITHOUT WARRANTY OF ANY KIND, WHETHER EXPRESS, IMPLIED, STATUTORY, OR OTHERWISE, INCLUDING FITNESS FOR A PARTICULAR PURPOSE OR USE, MERCHANTABILITY, PERFORMANCE, QUALITY OR NON-INFRINGEMENT OF ANY INTELLECTUAL PROPERTY RIGHT; ALL SUCH WARRANTIES ARE HEREBY EXPRESSLY DISCLAIMED. SKYWORKS DOES NOT WARRANT THE ACCURACY OR COMPLETENESS OF THE INFORMATION, TEXT, GRAPHICS OR OTHER ITEMS CONTAINED WITHIN THESE MATERIALS. SKYWORKS SHALL NOT BE LIABLE FOR ANY DAMAGES, INCLUDING BUT NOT LIMITED TO ANY SPECIAL, INDIRECT, INCIDENTAL, STATUTORY, OR CONSEQUENTIAL DAMAGES, INCLUDING WITHOUT LIMITATION, LOST REVENUES OR LOST PROFITS THAT MAY RESULT FROM THE USE OF THE MATERIALS OR INFORMATION, WHETHER OR NOT THE RECIPIENT OF MATERIALS HAS BEEN ADVISED OF THE POSSIBILITY OF SUCH DAMAGE.

Skyworks products are not intended for use in medical, lifesaving or life-sustaining applications, or other equipment in which the failure of the Skyworks products could lead to personal injury, death, physical or environmental damage. Skyworks customers using or selling Skyworks products for use in such applications do so at their own risk and agree to fully indemnify Skyworks for any damages resulting from such improper use or sale.

Customers are responsible for their products and applications using Skyworks products, which may deviate from published specifications as a result of design defects, errors, or operation of products outside of published parameters or design specifications. Customers should include design and operating safeguards to minimize these and other risks. Skyworks assumes no liability for applications assistance, customer product design, or damage to any equipment resulting from the use of Skyworks products outside of stated published specifications or parameters.

Skyworks, the Skyworks symbol, and "Breakthrough Simplicity" are trademarks or registered trademarks of Skyworks Solutions, Inc., in the United States and other countries. Third-party brands and names are for identification purposes only, and are the property of their respective owners. Additional information, including relevant terms and conditions, posted at [www.skyworksinc.com](http://www.skyworksinc.com), are incorporated by reference.

## X-ON Electronics

Largest Supplier of Electrical and Electronic Components

*Click to view similar products for [RF Amplifier](#) category:*

*Click to view products by [Skyworks](#) manufacturer:*

Other Similar products are found below :

[A82-1](#) [BGA622H6820XTSA1](#) [BGA 728L7 E6327](#) [BGB719N7ESDE6327XTMA1](#) [HMC397-SX](#) [HMC405](#) [HMC561-SX](#) [HMC8120-SX](#)  
[HMC8121-SX](#) [HMC-ALH382-SX](#) [HMC-ALH476-SX](#) [SE2433T-R](#) [SMA3101-TL-E](#) [SMA39](#) [A66-1](#) [A66-3](#) [A67-1](#) [A81-2](#) [LX5535LQ](#)  
[LX5540LL](#) [MAAM02350](#) [HMC3653LP3BETR](#) [HMC549MS8GETR](#) [HMC-ALH435-SX](#) [SMA101](#) [SMA32](#) [SMA411](#) [SMA531](#)  
[SST12LP19E-QX6E](#) [WPM0510A](#) [HMC5929LS6TR](#) [HMC5879LS7TR](#) [HMC1087F10](#) [HMC1086](#) [HMC1016](#) [SMA1212](#) [MAX2689EWS+T](#)  
[MAAMSS0041TR](#) [MAAM37000-A1G](#) [LTC6430AIUF-15#PBF](#) [SMA70-2](#) [SMA4011](#) [A231](#) [HMC-AUH232](#) [LX5511LQ](#) [LX5511LQ-TR](#)  
[HMC7441-SX](#) [HMC-ALH310](#) [XD1001-BD-000V](#) [A4011](#)