

DATA SHEET

SKY12406-360LF: 50-600 MHz One-Bit Digital Attenuator (12 dB LSB)

Applications

- Cellular radio
- Wireless data
- WLL gain level control circuits

Features

- Positive voltage control: 0/3 V
- High bit accuracy
- Low loss
- Absorptive in 50 W systems
- Small, QFN (8-pin, 2 x 2 mm) package (MSL1, 260 °C per JEDEC J-STD-020)

NEW



Skyworks Green™ products are RoHS (Restriction of Hazardous Substances)-compliant, conform to the EIA/EICTA/JEITA Joint Industry Guide (JIG) Level A guidelines, are halogen free according to IEC-61249-2-21, and contain <1,000 ppm antimony trioxide in polymeric materials.

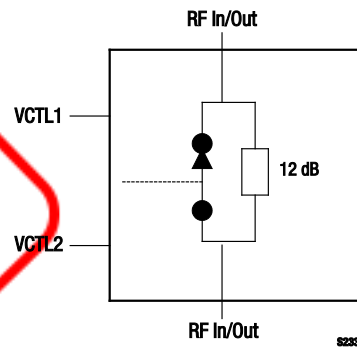
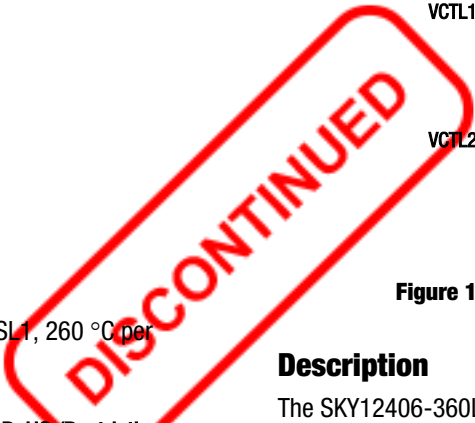


Figure 1. SKY12406-360LF Block Diagram

Description

The SKY12406-360LF is a pHEMT GaAs FET I/C single bit attenuator designed for low-cost commercial applications where high attenuation accuracy, low insertion loss, and low intermodulation products are required. The attenuator has an LSB of 12 dB.

The SKY12406-360LF is manufactured in a compact, 2 x 2 mm, 8-pin exposed pad plastic Quad Flat No-Lead (QFN) package.

A functional block diagram is shown in Figure 1. The pin configuration and package are shown in Figure 2. Signal pin assignments and functional pin descriptions are provided in Table 1.

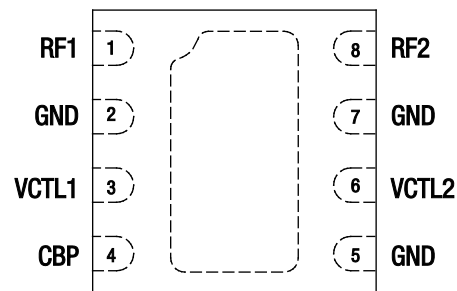


Figure 2. SKY12406-360LF Pinout – 8-Pin QFN (Top View)

Table 1. SKY12406-360LF Signal Descriptions

Pin #	Name	Description	Pin #	Name	Description
1	RF1	RF port	5	GND	Ground
2	GND	Ground	6	VCTL2	DC control voltage
3	VCTL1	DC control voltage	7	GND	Ground
4	CBP	RF ground. Must be AC-coupled to ground.	8	RF2	RF port

Table 2. SKY12406-360LF Absolute Maximum Ratings

Parameter	Symbol	Minimum	Maximum	Units
RF input power: 3 V @ 50 MHz 3 V @ 600 MHz	P _{IN}		+24 +27	dBm dBm
Operating temperature	T _{OP}	-40	+85	°C
Storage temperature	T _{STG}	-65	+150	°C

Note: Exposure to maximum rating conditions for extended periods may reduce device reliability. There is no damage to device with only one parameter set at the limit and all other parameters set at or below their nominal value. Exceeding any of the limits listed here may result in permanent damage to the device.

CAUTION: Although this device is designed to be as robust as possible, Electrostatic Discharge (ESD) can damage this device. This device must be protected at all times from ESD. Static charges may easily produce potentials of several kilovolts on the human body or equipment, which can discharge without detection. Industry-standard ESD precautions should be used at all times.

Electrical and Mechanical Specifications

The absolute maximum ratings of the SKY12406-360LF are provided in Table 2. Electrical specifications are provided in Table 3.

Typical performance characteristics of the SKY12406-360LF are illustrated in Figures 3 through 6.

The state of the SKY12406-360LF is determined by the logic provided in Table 4.

Table 3. SKY12406-360LF Electrical Specifications (Note 1)

($V_{CTL} = 0/3\text{ V}$, $T_{OP} = +25\text{ °C}$, $P_{IN} = 0\text{ dBm}$, Characteristic Impedance [Z_0] = $50\ \Omega$, Unless Otherwise Noted)

Parameter	Symbol	Test Condition	Min	Typical	Max	Units
Insertion loss	IL	50-600 MHz		0.3	0.4	dB
Attenuation	Attn	50-600 MHz	11.6	12.0	12.4	dB
Return loss	RL	50-600 MHz	15	20		dB
Switching characteristics: Rise/fall time		10/90% or 90/10% RF		7	35	ns
On/off time		50% V_{CTL} to 90/10% RF		8	35	ns
Input power for 0.1 dB compression		@ 50 MHz @ 600 MHz	+18 +20	+22 +25		dBm dBm
3 rd Order Input Intercept Point	IIP3	Two tone input power, +10 dBm/tone, 50 MHz, 1 MHz spacing	+42	+46		dBm
		Two tone input power, +10 dBm/tone, 600 MHz	+44	+50		dBm
Control voltage: Low	V_{CTL_L}		0		0.2	V
High	V_{CTL_H}		2.7		3.3	V
Control current	I_{CC}			10	50	μA

Note 1: Performance is guaranteed only under the conditions listed in this Table.

Typical Performance Characteristics

($V_{CTL} = 3\text{ V}$, $T_{OP} = +25\text{ °C}$, $P_{IN} = 0\text{ dBm}$, Characteristic Impedance [Z_0] = $50\ \Omega$, $CBP = 560\text{ pF}$, Blocking Capacitor = 560 pF Unless Otherwise Noted)

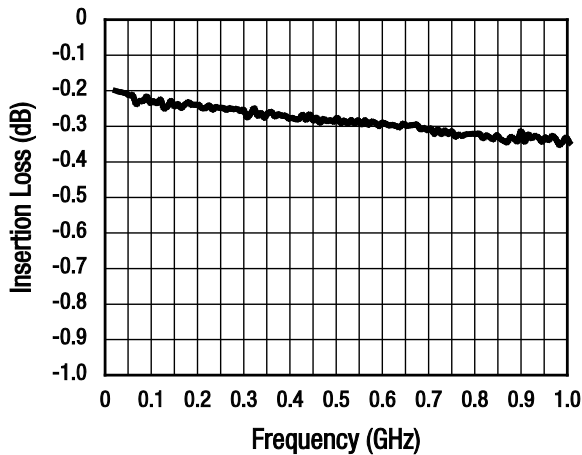


Figure 3. Typical Insertion Loss

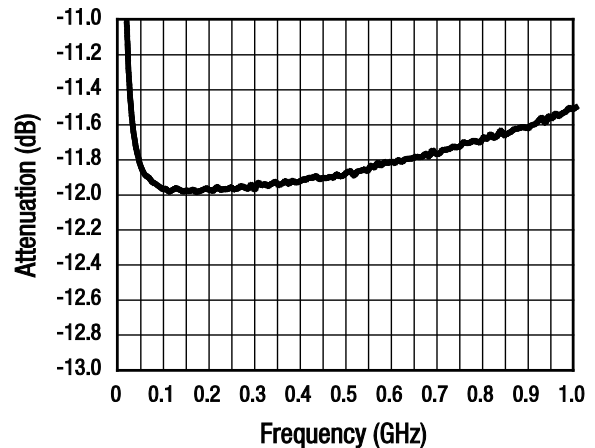


Figure 4. Typical Attenuation

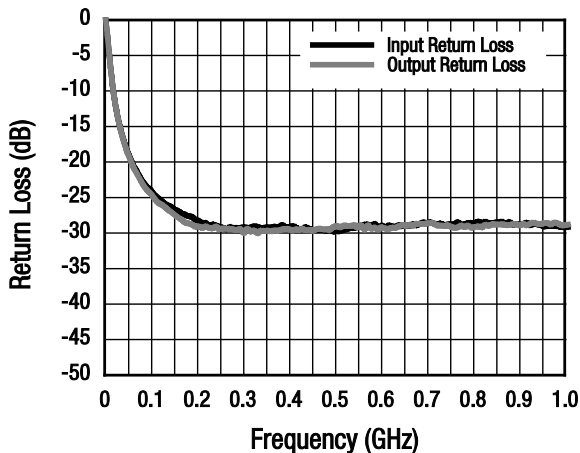


Figure 5. Typical Return Loss (Insertion Loss State)

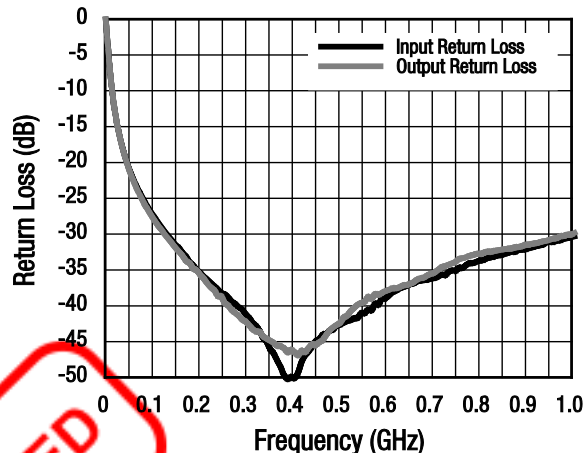


Figure 6. Typical Return Loss (Attenuation State)

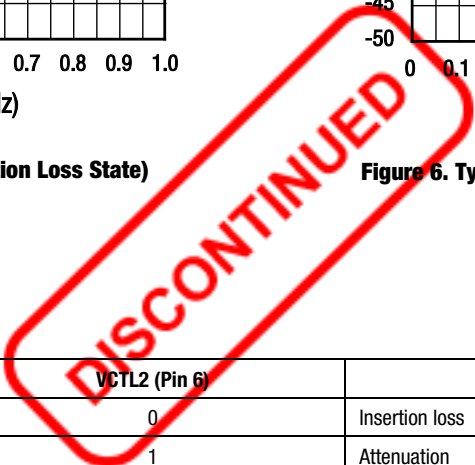


Table 4. SKY12406-360LF Truth Table

VCTL1 (Pin 3)	VCTL2 (Pin 6)	RF1 to RF2 Path
1	0	Insertion loss
0	1	Attenuation

Note: "1" = +3 V. "0" = 0 V. Any state other than that described in this Table places the attenuator into an undefined state.

Evaluation Board Description

The SKY12406-360LF Evaluation Board is used to test the performance of the SKY12406-360LF Attenuator. An assembly drawing for the Evaluation Board is shown in Figure 7.

DC blocks are required on RF1 (pin 1) and RF2 (pin 8). A blocking capacitor (CBLK) of 560 pF and a bypass capacitor (CBP) of 560 pF are required for 50 MHz operation.

Package Dimensions

The PCB layout footprint for the SKY12406-360LF is provided in Figure 8. Typical case markings are shown in Figure 9. Package dimensions for the 8-pin QFN are shown in Figure 10, and tape and reel dimensions are provided in Figure 11.

Package and Handling Information

Instructions on the shipping container label regarding exposure to moisture after the container seal is broken must be followed. Otherwise, problems related to moisture absorption may occur when the part is subjected to high temperature during solder assembly.

THE SKY12406-360LF is rated to Moisture Sensitivity Level 1 (MSL1) at 260 °C. It can be used for lead or lead-free soldering. For additional information, refer to the Skyworks Application Note, *Solder Reflow Information*, document number 200164.

Care must be taken when attaching this product, whether it is done manually or in a production solder reflow environment. Production quantities of this product are shipped in a standard tape and reel format.

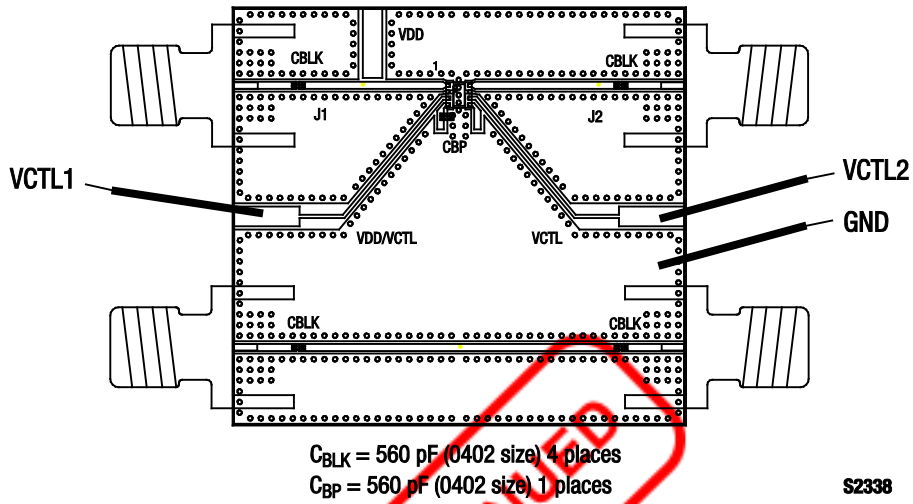


Figure 7. SKY12406-360LF Evaluation Board Assembly Diagram

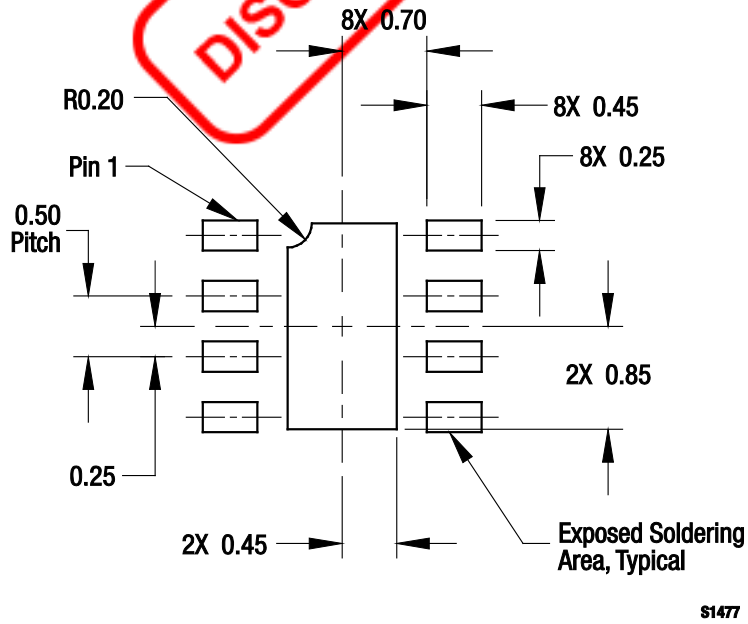


Figure 8. SKY12406-360LF PCB Layout Footprint

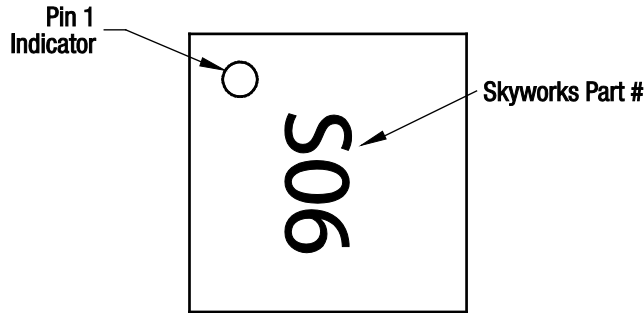
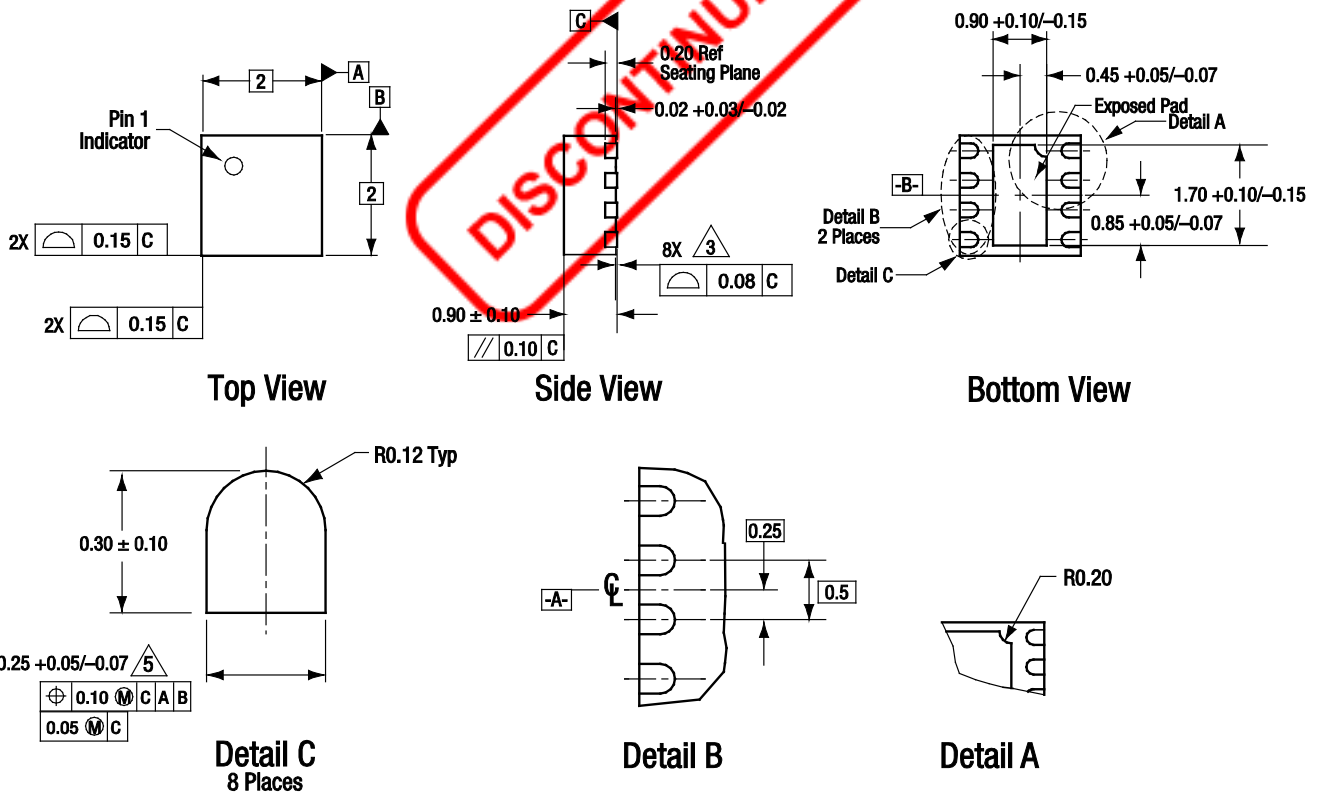


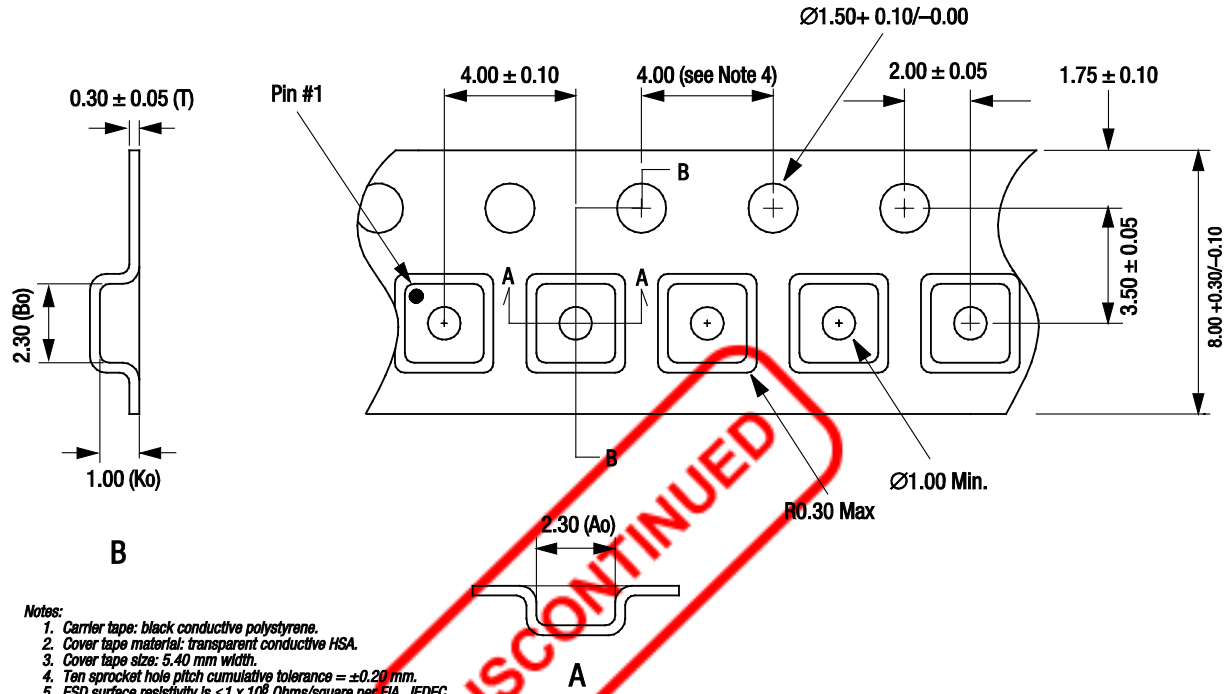
Figure 9. Typical Case Markings (Top View)



All measurements are in millimeters.
 Dimensioning and tolerancing according to ASME Y14.5M-1994.
 Coplanarity applies to the exposed heat sink slug as well as the terminals.
 Plating requirement per source control drawing (SCD) 2504.
 Dimension applies to metalized terminal and is measured between 0.15 mm and 0.30 mm from terminal tip.

S1415

Figure 10. SKY12406-360LF 8-Pin QFN Package Dimensions



- Notes:
1. Carrier tape: black conductive polystyrene.
 2. Cover tape material: transparent conductive HSA.
 3. Cover tape size: 5.40 mm width.
 4. Ten sprocket hole pitch cumulative tolerance = ±0.20 mm.
 5. ESD surface resistivity is $\leq 1 \times 10^9$ Ohms/square per EIA, JEDEC tape and reel specification.
 6. Ao and Bo measurement point to be 0.30 mm from bottom pocket.
 7. All measurements are in millimeters.

Figure 11. SKY12406-360LF Tape and Reel Dimensions

S1601

Ordering Information

Model Name	Manufacturing Part Number	Evaluation Board Part Number
SKY12406-360LF One-Bit Digital Attenuator	SKY12406-360LF	SKY12406-360LF-EVB



Copyright © 2008, 2011 Skyworks Solutions, Inc. All Rights Reserved.

Information in this document is provided in connection with Skyworks Solutions, Inc. (“Skyworks”) products or services. These materials, including the information contained herein, are provided by Skyworks as a service to its customers and may be used for informational purposes only by the customer. Skyworks assumes no responsibility for errors or omissions in these materials or the information contained herein. Skyworks may change its documentation, products, services, specifications or product descriptions at any time, without notice. Skyworks makes no commitment to update the materials or information and shall have no responsibility whatsoever for conflicts, incompatibilities, or other difficulties arising from any future changes.

No license, whether express, implied, by estoppel or otherwise, is granted to any intellectual property rights by this document. Skyworks assumes no liability for any materials, products or information provided hereunder, including the sale, distribution, reproduction or use of Skyworks products, information or materials, except as may be provided in Skyworks Terms and Conditions of Sale.

THE MATERIALS, PRODUCTS AND INFORMATION ARE PROVIDED “AS IS” WITHOUT WARRANTY OF ANY KIND, WHETHER EXPRESS, IMPLIED, STATUTORY, OR OTHERWISE, INCLUDING FITNESS FOR A PARTICULAR PURPOSE OR USE, MERCHANTABILITY, PERFORMANCE, QUALITY OR NON-INFRINGEMENT OF ANY INTELLECTUAL PROPERTY RIGHT; ALL SUCH WARRANTIES ARE HEREBY EXPRESSLY DISCLAIMED. SKYWORKS DOES NOT WARRANT THE ACCURACY OR COMPLETENESS OF THE INFORMATION, TEXT, GRAPHICS OR OTHER ITEMS CONTAINED WITHIN THESE MATERIALS. SKYWORKS SHALL NOT BE LIABLE FOR ANY DAMAGES, INCLUDING BUT NOT LIMITED TO ANY SPECIAL, INDIRECT, INCIDENTAL, STATUTORY, OR CONSEQUENTIAL DAMAGES, INCLUDING WITHOUT LIMITATION, LOST REVENUES OR LOST PROFITS THAT MAY RESULT FROM THE USE OF THE MATERIALS OR INFORMATION, WHETHER OR NOT THE RECIPIENT OF MATERIALS HAS BEEN ADVISED OF THE POSSIBILITY OF SUCH DAMAGE.

Skyworks products are not intended for use in medical, lifesaving or life-sustaining applications, or other equipment in which the failure of the Skyworks products could lead to personal injury, death, physical or environmental damage. Skyworks customers using or selling Skyworks products for use in such applications do so at their own risk and agree to fully indemnify Skyworks for any damages resulting from such improper use or sale.

Customers are responsible for their products and applications using Skyworks products, which may deviate from published specifications as a result of design defects, errors, or operation of products outside of published parameters or design specifications. Customers should include design and operating safeguards to minimize these and other risks. Skyworks assumes no liability for applications assistance, customer product design, or damage to any equipment resulting from the use of Skyworks products outside of stated published specifications or parameters.

Skyworks, the Skyworks symbol, and “Breakthrough Simplicity” are trademarks or registered trademarks of Skyworks Solutions, Inc., in the United States and other countries. Third-party brands and names are for identification purposes only, and are the property of their respective owners. Additional information, including relevant terms and conditions, posted at www.skyworksinc.com, are incorporated by reference.

X-ON Electronics

Largest Supplier of Electrical and Electronic Components

Click to view similar products for [Attenuators](#) category:

Click to view products by [Skyworks](#) manufacturer:

Other Similar products are found below :

[ATN3580-01](#) [HMC305SLP4ETR](#) [MAAD-009195-000100](#) [TGL4201-00](#) [TGL4201-02](#) [TGL4201-03](#) [TGL4201-06](#) [TGL4201-10](#) [ATN3590-15](#) [20-50TPC](#) [D10AA5Z4](#) [18AH-01](#) [18AH-08](#) [ATN3580-20](#) [ATN3590-09](#) [20-50RP](#) [MASW-008322-000000](#) [PCAF-10](#) [EXB-24AT9AR5X](#) [ATN3580-10](#) [HMC539ALP3ETR](#) [ATN3580-02](#) [WA04P006XCTL](#) [SKY12408-321LF](#) [ATN3580-03](#) [WA04P005XBTL](#) [HMC-VVD104-SX](#) [WA04P007XCTL](#) [SKY12236-11](#) [MAATSS0018TR-3000](#) [HMC656-SX](#) [WA04P001XBTL](#) [MAAV-007941-TR3000](#) [WA04P004XBTL](#) [WA04P002XBTL](#) [HMC941A](#) [PAT0816-C-0DB-T5](#) [PAT0816-C-8DB-T5](#) [PAT0816-C-10DB-T5](#) [PAT1632-C-3DB-T1](#) [PAT1632-C-6DB-T1](#) [PAT1632-C-10DB-T1](#) [PAT1632-C-1DB-T1](#) [PAT0816-C-2DB-T5](#) [PAT0816-C-4DB-T5](#) [DHM510-0100-006](#) [MAT10300](#) [MAT10180](#) [MAATCC0007-TB](#) [MAATCC0011](#)