

DATA SHEET

SKY65084-360LF: 1.5-2.4 GHz Low Noise Amplifier

Applications

- Wireless infrastructure: GSM, CDMA, WCDMA, and TD-SCDMA
- Ultra low-noise applications

Features

- Ultra-low Noise Figure = 0.70 dB @ 1.95 GHz
- Excellent input and output return loss
- Adjustable gain = 15 to 25 dB @ 1.95 GHz
- High output OIP3 = +34.0 dBm @ 65 mA
- OP1dB = +16 dBm @ 1.95 GHz
- Single, positive DC supply voltage
- Adjustable supply current, 30 to 100 mA
- Small, QFN (8-pin, 2 x 2 mm) package (MSL1, 260 °C per JEDEC J-STD-020)

NEW



Skyworks Green™ products are RoHS (Restriction of Hazardous Substances)-compliant, conform to the EIA/EICTA/JEITA Joint Industry Guide (JIG) Level A guidelines, are halogen free according to IEC-61249-2-21, and contain <1,000 ppm antimony trioxide in polymeric materials.

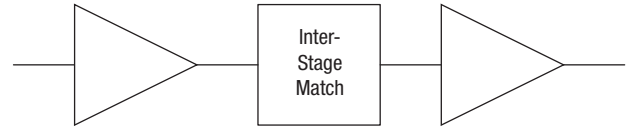


Figure 1. SKY65084-360LF Block Diagram

Description

The SKY65084-360LF is a high performance, two-stage ultra low-noise amplifier. The device is fabricated from Skyworks advanced pHEMT process and is provided in a 2 x 2 mm, 8-pin Quad Flat No-Lead (QFN) package.

The device features excellent input and output return loss, and an integrated interstage matching network. The amplifier's ultra-low Noise Figure (NF), high gain, and excellent 3rd Order Intercept point (IP3) allow it to be used in various receiver and transmitter applications.

A functional block diagram is shown in Figure 1. The pin configuration and package are shown in Figure 2. Signal pin assignments and functional pin descriptions are provided in Table 1.

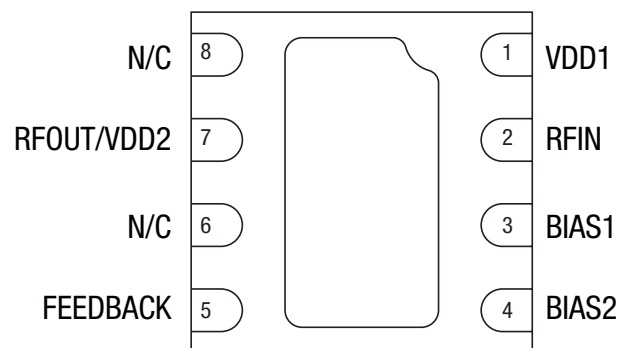
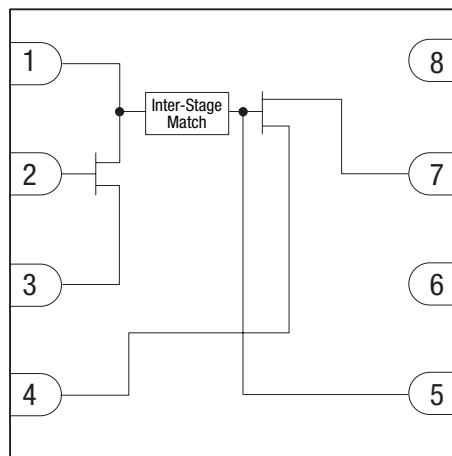


Figure 2. SKY65084-360LF Pinout – 8-Pin QFN (Bottom View)

Table 1. SKY65084-360LF Signal Descriptions

Pin #	Name	Description	Pin #	Name	Description
1	VDD1	1 st stage DC power supply	5	FEEDBACK	Connect to RFOUT to reduce gain of 2 nd stage transistor
2	RFIN	RF input	6	N/C	No connection
3	BIAS1	Source lead for 1 st stage transistor	7	RFOUT/VDD2	RF output. Requires a DC bias using an RF choke inductor.
4	BIAS2	Source lead for 2 nd stage transistor	8	N/C	No connection



S1500

Figure 3. SKY65084-360LF On-Die Functional Diagram

Functional Description

The SKY65084-360LF is a two stage, low noise amplifier with an integrated interstage matching network. The device has a tested low NF of 0.70 dB and gain of 24 dB. The device allows designers to adjust current and gain without degrading the NF.

The external matching network largely dictates the RF performance of the device. The matching network is required for operation and special care should be taken when designing a circuit board layout for the SKY65084-360LF. There are four separate groups of external components: input, output, biasing, and feedback. Figure 3 illustrates the circuit-on-die inside the 2 x 2 mm QFN package.

Biasing

To properly bias a depletion mode pHEMT, both the gate and drain of the device must be biased properly. At $V_{GS} = 0\text{ V}$ and $V_{DS} > 2\text{ V}$, the amplifier stage is in its saturated state and draws the maximum amount of current, I_{DSS} . A V_{DS} of 5 V is recommended to ensure proper performance.

To eliminate the need for a negative DC supply, self-biasing should be used when a resistor is placed between one of the

source leads and ground. A bypass capacitor should be placed in parallel to this resistor to provide an RF ground and to ensure performance remains unchanged at the operating frequency.

When current flows from drain to source and through the resistor, the source voltage becomes biased above DC ground. The gate pin of the device should be left unbiased at 0 V, which creates the desired negative V_{GS} value. This simplifies the design by eliminating the need for a second DC supply. Values for resistor components R1 and R2 can be changed to easily increase or decrease the bias current to a desired level.

The first stage is biased at 20 percent of I_{DSS} to achieve the best NF performance. The gain and current of the 2nd stage amplifier can be adjusted without degrading the overall NF. More current in the 2nd stage yields better IP3 performance.

Components L3 and L4 are the RF bias choke inductors (refer to Figure 18). These are required to block RF power and pass V_{DD} to the drain of each amplifier stage. Components C5, C6, C7, C9, and C10 are RF bypass capacitors. R3 and R4 reduce the voltage presented at the drain of each stage of the device. The resistor values are optimized for 3rd Order Output Intercept Point (OIP3) and P1dB performance.

Source Inductance

The effect of source inductance varies with frequency. Too little source inductance increases gain and high frequency stability, but at the cost of more in-band instability. Too much source inductance decreases high frequency stability and gain, but improves in-band instability. It is very important to find the optimum tuning of source inductance that balances all variables.

The board trace present on the first stage transistor (pin 3) is about 60 mils long and 6 mils wide. The electrical length of the line is 9.8 degrees at 1950 MHz. When designing a board for the SKY65084-360LF, these exact dimensions should be used. The board trace length at pin 4 should be minimized.

Input and Output RF Matching Network

The input band-pass matching network consists of four components. Component C1 serves as the input DC blocking capacitor, C2 provides high frequency stability and improved input return loss, and L1 and L2 are responsible for the best noise match looking into the gate of the first stage amplifier.

Excess board trace should be eliminated at the input of the device to minimize board losses. High-Q components should be used to achieve the best NF of the amplifier. Murata GJM series capacitors and Coilcraft HP series inductors are recommended. Any excess board or component loss on the input of the device directly adds to the total measured NF.

The output matching network is band-pass network optimized for output return loss and OIP3 performance. No High-Q components are required for output matching or DC bias.

Feedback

Using feedback on the SKY65084-360LF is not necessary, but can be used to reduce gain without affecting other parameters. The default circuit configuration has 25 dB of gain, but can be decreased to about 18 dB by adding feedback components.

Measuring NF

Special care should be taken when making < 1 dB NF measurements. Ideally, measurements should be made in an RF shield room. An Agilent MXA N9020A spectrum analyzer with an internal pre-amp paired with an N4001A smart noise source was used for all noise measurements. The smart noise source has an internal thermocouple that automatically sets the T_{COLD} setting on the analyzer. If a smart noise source is unavailable, a standard noise source should be used. Use an external thermocouple to manually adjust the T_{COLD} setting to ensure accurate results.

Electrical and Mechanical Specifications

The absolute maximum ratings of the SKY65084-360LF are provided in Table 2. The recommended operating conditions are specified in Table 3 and electrical specifications are provided in Table 4.

Performance characteristics for the SKY65084-360LF are illustrated in Figures 4 through 10.

Table 2. SKY65084-360LF Absolute Maximum Ratings

Parameter	Symbol	Minimum	Typical	Maximum	Units
Supply voltage	V_{DD}		5.5		V
Input power	P_{IN}		+13		dBm
Supply current stage one	I_{DS1}		50		mA
Supply current stage two	I_{DS2}		100		mA
Power dissipation	P_{DIS}		530		mW
Junction temperature	T_{J}		150		°C
Storage temperature	T_{STG}	-65		+125	°C
Operating temperature	T_{OP}	-40		+85	°C
Thermal resistance	Θ_{JC}		47		°C/W

Note: Exposure to maximum rating conditions for extended periods may reduce device reliability. There is no damage to device with only one parameter set at the limit and all other parameters set at or below their nominal value. Exceeding any of the limits listed here may result in permanent damage to the device.

CAUTION: Although this device is designed to be as robust as possible, Electrostatic Discharge (ESD) can damage this device. This device must be protected at all times from ESD. Static charges may easily produce potentials of several kilovolts on the human body or equipment, which can discharge without detection. Industry-standard ESD precautions should be used at all times.

Table 3. SKY65084-360LF Recommended Operating Conditions

Parameter	Symbol	Minimum	Typical	Maximum	Units
Operating frequency	f	1.5		2.4	GHz
Supply voltage	V _{DD}	4.75	5.00	5.25	V
Supply current	I _{DD}	30	65	100	mA

Table 4. SKY65084-360LF Electrical Specifications (Note 1)

(T_{OP} = +25 °C, Characteristic Impedance [Z₀] = 50 Ω, V_{DD} = 5 V, I_{DD} = 65 mA, f = 1950 MHz, Parameters Include Recommended Matching Networks, Unless Otherwise Noted)

Parameter	Symbol	Test Condition	Min	Typical	Max	Units
Noise Figure (Note 2)	NF			0.7	1.0	dB
Small signal gain	IS21I		23.5	24.0	24.5	dB
Input return loss	IS11I			20		dB
Output return loss	IS22I			20		dB
Reverse isolation	IS12I			36		dB
3 rd Order Input Intercept Point	IIP3	5 MHz spacing, P _{IN} = -18 dBm per tone, f = 2000 MHz		+10		dBm
3 rd Order Output Intercept Point	OIP3	5 MHz spacing, P _{IN} = -18 dBm per tone, f = 2000 MHz		+34.0		dBm
1 dB Input Compression Point	IP1dB	f = 2000 MHz		-7		dBm
1 dB Output Compression Point	OP1dB	f = 2000 MHz		+16		dBm
Stability	K	Unconditionally stable up to 18 GHz		>1		-

Note 1: Performance is guaranteed only under the conditions listed in this Table and is not guaranteed over the full operating or storage temperature ranges. Operation at elevated temperatures may reduce reliability of the device.

Note 2: Loss from input RF connector and board trace de-embedded from measurement.

Typical Performance Characteristics

(T_{OP} = +25 °C, Characteristic Impedance [Z₀] = 50 Ω, V_{DD} = 5 V, I_{DD} = 65 mA, Parameters Include a Recommended High Gain 1950 MHz Matching Network, Unless Otherwise Noted)

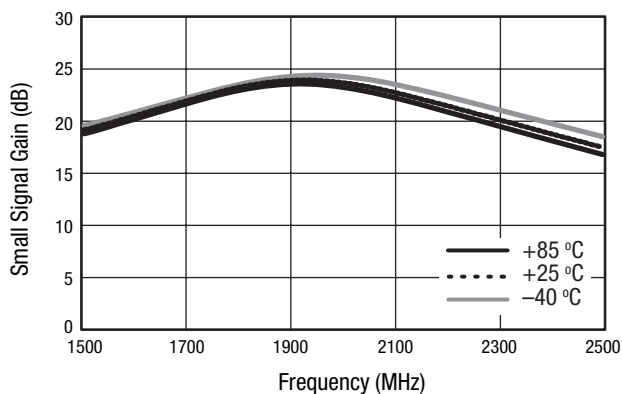


Figure 4. Small Signal Gain vs Frequency Over Temperature, P_{IN} = -20 dBm

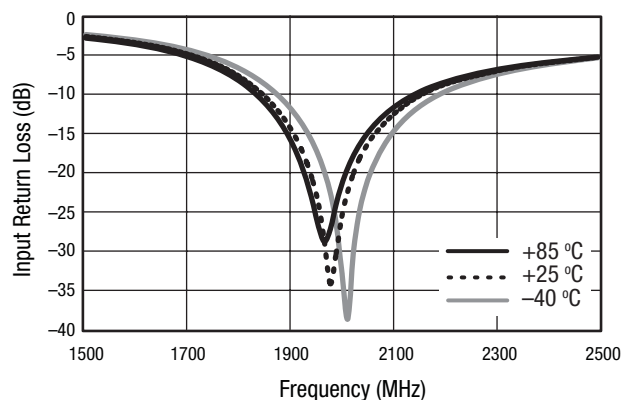


Figure 5. Input Return Loss vs Frequency Over Temperature, P_{IN} = -20 dBm

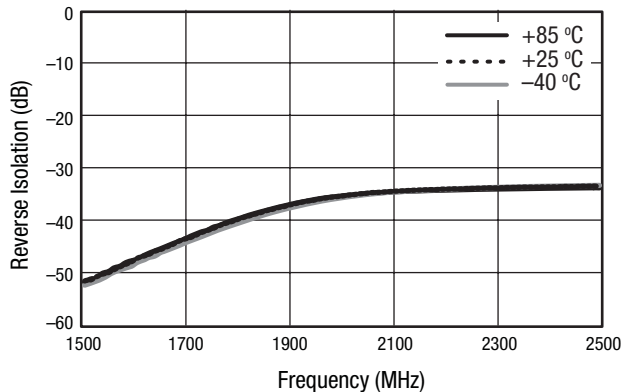


Figure 6. Reverse Isolation vs Frequency Over Temperature, $P_{IN} = -20$ dBm

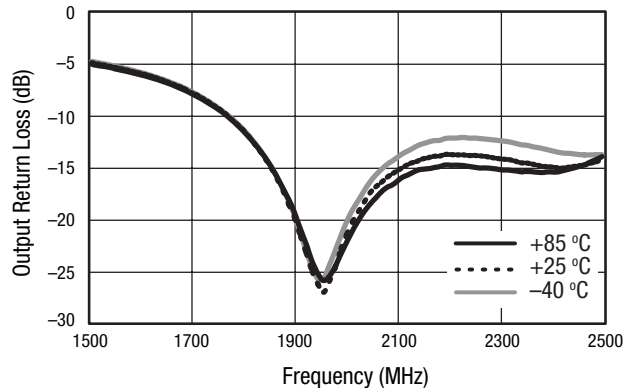


Figure 7. Output Return Loss vs Frequency Over Temperature, $P_{IN} = -20$ dBm

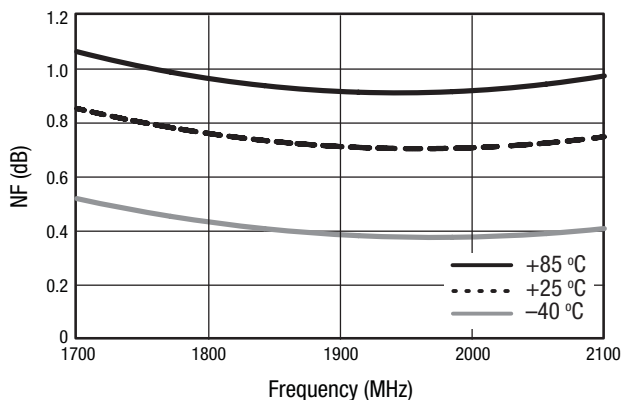


Figure 8. Noise Figure vs Frequency Over Temperature, Input RF Connector and Board Trace De-Embedded From Measurement

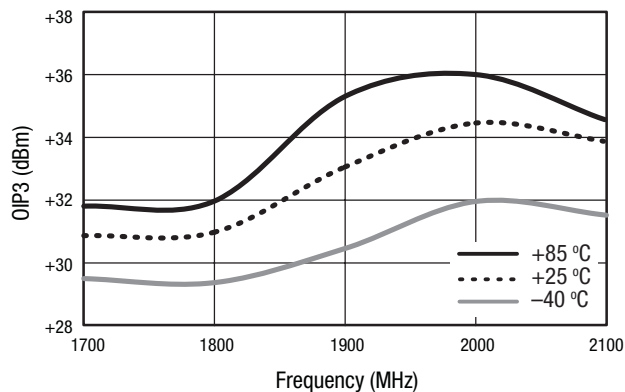


Figure 9. Third Order Output Intercept Point vs Frequency Over Temperature, $P_{IN} = -18$ dBm/Tone, 5 MHz Tone Spacing

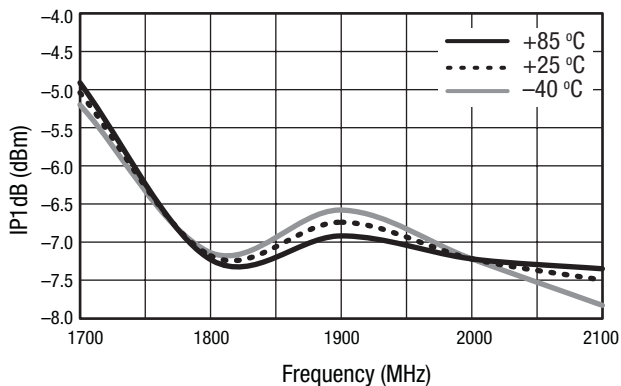


Figure 10. Input 1 dB Compression vs Frequency Over Temperature

Evaluation Board Description

The SKY65084-360LF Evaluation Board is used to test the performance of the SKY65084-360LF low noise amplifier. An assembly drawing for the Evaluation Board is shown in Figure 11 and an Evaluation Board schematic diagram is shown in Figure 12. Table 5 provides the Evaluation Board Bill of Materials (BOM) list.

Input and output traces have been minimized to reduce losses. All surface mount components are 0402-sized to reduce component parasitics. The use of 0603 or larger components is not recommended. Component spacing has also been minimized. The board is provisioned with two RF connectors and a DC launch. The RF connector and board loss up to component C1 is approximately 0.1 dB at 1.95 GHz.

It is very important to place multiple ground vias as close to shunt components as possible. This ensures proper grounding and circuit performance.

Board material is 10 mil thick VT47 FR4 with 1 oz. copper cladding. RF traces are 50 Ω with a 17.5 mil trace width and a 10 mil gap to ground.

Evaluation Board Test Procedure

- Step 1: Connect RF test equipment to amplifier input/output SMA connectors.
- Step 2: Connect DC ground.
- Step 3: Connect VDD to a +5 V supply with a current limit of 100 mA. Verify that the board draws approximately 65 mA.
- Step 4: Apply RF signal or noise source.

Package Dimensions

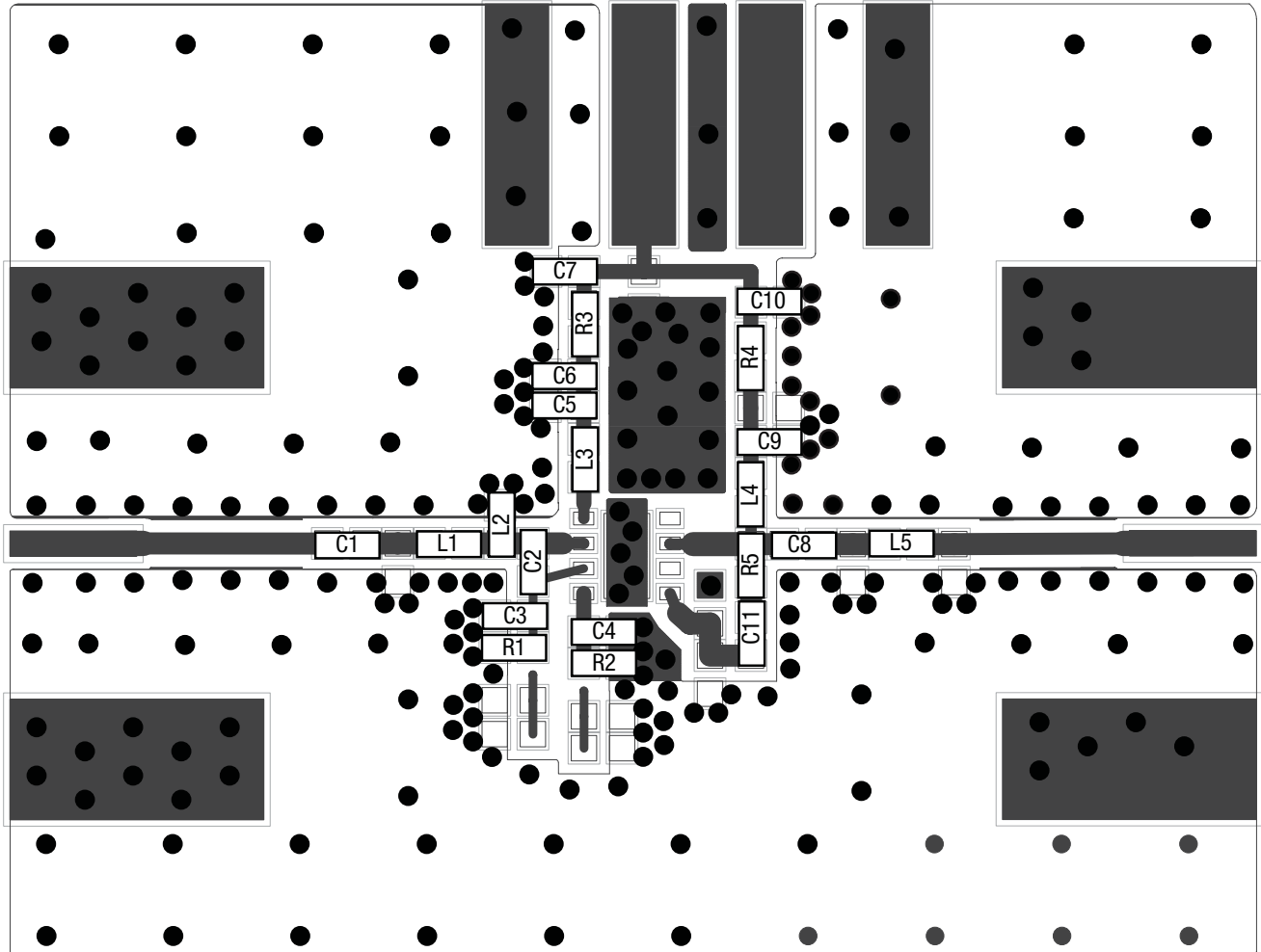
The PCB layout footprint for the SKY65084-360LF is shown in Figure 13. Typical case markings are noted in Figure 14. Package dimensions for the 8-pin QFN are shown in Figure 15, and tape and reel dimensions are provided in Figure 16.

Package and Handling Information

Instructions on the shipping container label regarding exposure to moisture after the container seal is broken must be followed. Otherwise, problems related to moisture absorption may occur when the part is subjected to high temperature during solder assembly.

THE SKY65084-360LF is rated to Moisture Sensitivity Level 1 (MSL1) at 260 °C. It can be used for lead or lead-free soldering. For additional information, refer to the Skyworks Application Note, *Solder Reflow Information*, document number 200164.

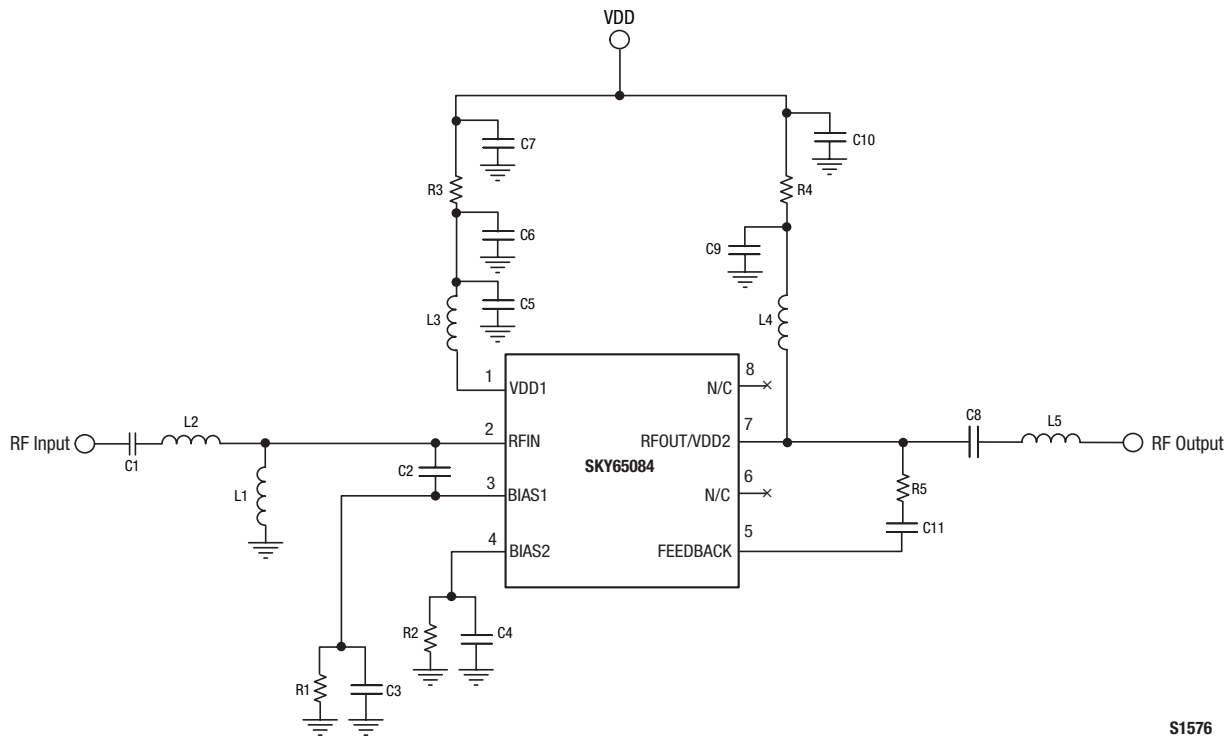
Care must be taken when attaching this product, whether it is done manually or in a production solder reflow environment. Production quantities of this product are shipped in a standard tape and reel format. For packaging details, refer to the Skyworks Application Note, *Discrete Devices and IC Switch/Attenuators Tape and Reel Package Orientation*, document number 200083.



C1, L1, and L2 comprise the input matching network
 C8, L4, and L5 comprise the output matching network.
 R1, R3, and C3 are the bias components for the 1st stage transistor.
 R2, R4, and C4 are the bias components for the 2nd stage transistor.
 C3, C4, C6, C7, C9, and C10 are RF decoupling capacitors.
 L3 and L4 are RF choke inductors.
 R5 and C11 provide RF feedback to adjust gain

S1577

Figure 11. SKY65084-360LF Evaluation Board Assembly Diagram



S1576

Figure 12. SKY65084-360LF Evaluation Board Schematic Diagram

Table 5. Recommended Evaluation Board Bill of Materials

Component	Value	Size	Manufacturer	Component	Value	Size	Manufacturer
C1	20 pF	0402	Murata GJM series	L1	5.6 nH	0402	Coilcraft HP series
C2	0.4 pF	0402	Murata GJM series	L2	7.5 nH	0402	Coilcraft CS series
C3	1000 pF	0402	Murata GRM series	L3	6.8 nH	0402	TDK MLG series
C4	1000 pF	0402	Murata GRM series	L4	18 nH	0402	TDK MLG series
C5	8.2 pF	0402	Murata GRM series	L5	4.7 nH	0402	TDK MLG series
C6	0.3 pF	0402	Murata GJM series	R1	20 Ω	0402	Panasonic
C7	1000 pF	0402	Murata GRM series	R2	9.1 Ω	0402	Panasonic
C8	47 pF	0402	Murata GRM series	R3	120 Ω	0402	Panasonic
C9	1000 pF	0402	Murata GRM series	R4	36 Ω	0402	Panasonic
C10	0.3 pF	0402	Murata GJM series	R5	1.1 kΩ	0402	Panasonic
C11	0.3 pF	0402	Murata GJM series				

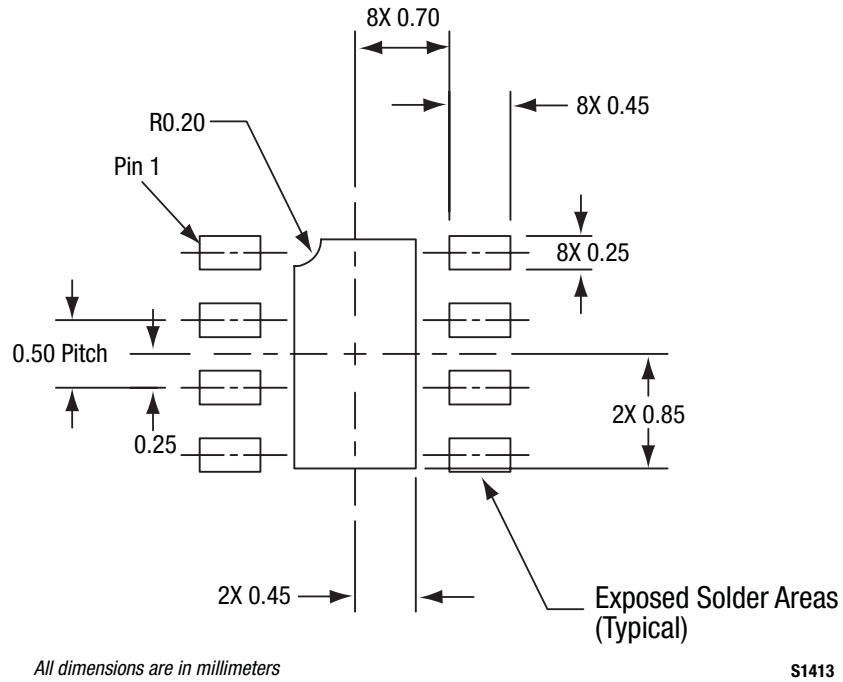


Figure 13. SKY65084-360LF PCB Layout Footprint

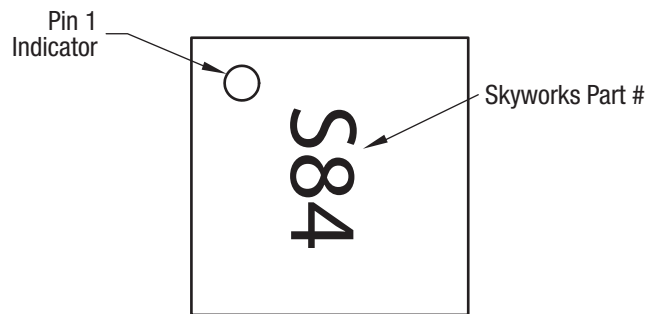
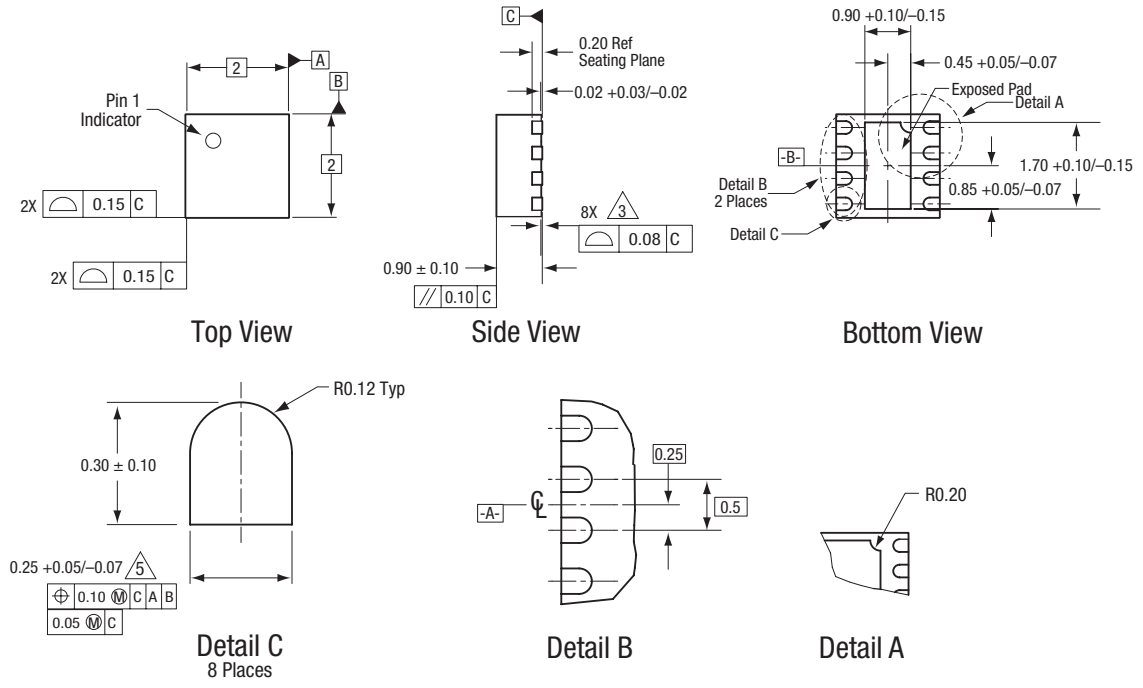


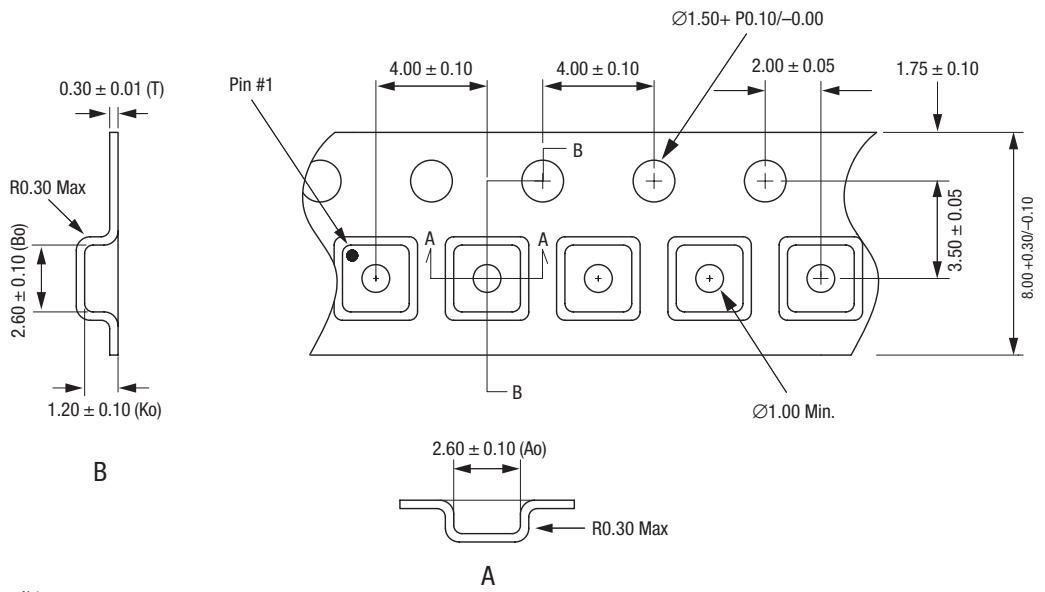
Figure 14. Typical Case Markings



All measurements are in millimeters.
 Dimensioning and tolerancing according to ASME Y14.5M-1994.
 Coplanarity applies to the exposed heat sink slug as well as the terminals.
 Plating requirement per source control drawing (SCD) 2504.
 Dimension applies to metallized terminal and is measured between 0.15 mm and 0.30 mm from terminal tip.

S1415

Figure 15. SKY65084-360LF 8-Pin QFN Package Dimensions



Notes:
 1. Carrier tape: black conductive polystyrene.
 2. Cover tape material: transparent conductive HSA.
 3. Cover tape size: 5.40 mm width.
 4. All measurements are in millimeters.

S1480

Figure 16. SKY65084-360LF Tape and Reel Dimensions

Ordering Information

Model Name	Manufacturing Part Number	Evaluation Board Part Numbers
SKY65084-360LF Low Noise Amplifier	SKY65084-360LF (Pb-free package)	SKY65084-360LF EVB

Copyright © 2009 Skyworks Solutions, Inc. All Rights Reserved.

Information in this document is provided in connection with Skyworks Solutions, Inc. ("Skyworks") products or services. These materials, including the information contained herein, are provided by Skyworks as a service to its customers and may be used for informational purposes only by the customer. Skyworks assumes no responsibility for errors or omissions in these materials or the information contained herein. Skyworks may change its documentation, products, services, specifications or product descriptions at any time, without notice. Skyworks makes no commitment to update the materials or information and shall have no responsibility whatsoever for conflicts, incompatibilities, or other difficulties arising from any future changes.

No license, whether express, implied, by estoppel or otherwise, is granted to any intellectual property rights by this document. Skyworks assumes no liability for any materials, products or information provided hereunder, including the sale, distribution, reproduction or use of Skyworks products, information or materials, except as may be provided in Skyworks Terms and Conditions of Sale.

THE MATERIALS, PRODUCTS AND INFORMATION ARE PROVIDED "AS IS" WITHOUT WARRANTY OF ANY KIND, WHETHER EXPRESS, IMPLIED, STATUTORY, OR OTHERWISE, INCLUDING FITNESS FOR A PARTICULAR PURPOSE OR USE, MERCHANTABILITY, PERFORMANCE, QUALITY OR NON-INFRINGEMENT OF ANY INTELLECTUAL PROPERTY RIGHT; ALL SUCH WARRANTIES ARE HEREBY EXPRESSLY DISCLAIMED. SKYWORKS DOES NOT WARRANT THE ACCURACY OR COMPLETENESS OF THE INFORMATION, TEXT, GRAPHICS OR OTHER ITEMS CONTAINED WITHIN THESE MATERIALS. SKYWORKS SHALL NOT BE LIABLE FOR ANY DAMAGES, INCLUDING BUT NOT LIMITED TO ANY SPECIAL, INDIRECT, INCIDENTAL, STATUTORY, OR CONSEQUENTIAL DAMAGES, INCLUDING WITHOUT LIMITATION, LOST REVENUES OR LOST PROFITS THAT MAY RESULT FROM THE USE OF THE MATERIALS OR INFORMATION, WHETHER OR NOT THE RECIPIENT OF MATERIALS HAS BEEN ADVISED OF THE POSSIBILITY OF SUCH DAMAGE.

Skyworks products are not intended for use in medical, lifesaving or life-sustaining applications, or other equipment in which the failure of the Skyworks products could lead to personal injury, death, physical or environmental damage. Skyworks customers using or selling Skyworks products for use in such applications do so at their own risk and agree to fully indemnify Skyworks for any damages resulting from such improper use or sale.

Customers are responsible for their products and applications using Skyworks products, which may deviate from published specifications as a result of design defects, errors, or operation of products outside of published parameters or design specifications. Customers should include design and operating safeguards to minimize these and other risks. Skyworks assumes no liability for applications assistance, customer product design, or damage to any equipment resulting from the use of Skyworks products outside of stated published specifications or parameters.

Skyworks, the Skyworks symbol, and "Breakthrough Simplicity" are trademarks or registered trademarks of Skyworks Solutions, Inc., in the United States and other countries. Third-party brands and names are for identification purposes only, and are the property of their respective owners. Additional information, including relevant terms and conditions, posted at www.skyworksinc.com, are incorporated by reference.

X-ON Electronics

Largest Supplier of Electrical and Electronic Components

Click to view similar products for [RF Amplifier](#) category:

Click to view products by [Skyworks](#) manufacturer:

Other Similar products are found below :

[ADPA7006AEHZ](#) [CXE2089ZSR](#) [MGA-43828-BLKG](#) [A82-1](#) [RF2878TR7](#) [BGA 728L7 E6327](#) [BGB719N7ESDE6327XTMA1](#) [HMC1126-SX](#) [HMC342](#) [HMC405](#) [HMC561-SX](#) [HMC598-SX](#) [HMC-ALH382-SX](#) [HMC-ALH476-SX](#) [SE2433T-R](#) [SE2622L-R](#) [SMA3101-TL-E](#) [SMA39](#) [SMA70-1](#) [A66-1](#) [A66-3](#) [A67-1](#) [LX5535LQ](#) [LX5540LL](#) [HMC3653LP3BETR](#) [HMC395](#) [HMC549MS8GETR](#) [HMC576-SX](#) [HMC754S8GETR](#) [HMC-ALH435-SX](#) [SMA101](#) [SMA181](#) [SMA32](#) [SMA411](#) [SMA531](#) [SST12LP19E-QX6E](#) [TGA2598](#) [WPM0510A](#) [HMC5929LS6TR](#) [HMC5879LS7TR](#) [HMC906A-SX](#) [HMC544A](#) [HMC1126](#) [HMC1110-SX](#) [HMC1087F10](#) [HMC1086](#) [HMC1016](#) [MMZ25332B4T1](#) [AMC-143SMA](#) [MMZ09332BT1](#)