

DATA SHEET

SKY65383-11: 2400 to 2483 MHz Transmit/Receive Front-End Module

Applications

- Automated meter reading
- Advanced metering infrastructure
- ISM systems

Features

- Transmit output power: +30 dBm
- High-efficiency PA
- Receive gain: 12 dB
- Receive noise figure: 2.5 dB
- Sleep mode current: <1 μ A
- Integrated control logic
- Small footprint, MCM (28-pin, 6 x 6 mm) package (MSL3, 260 °C per JEDEC J-STD-020)



Skyworks Green™ products are compliant with all applicable legislation and are halogen-free. For additional information, refer to *Skyworks Definition of Green™*, document number SQ04-0074.

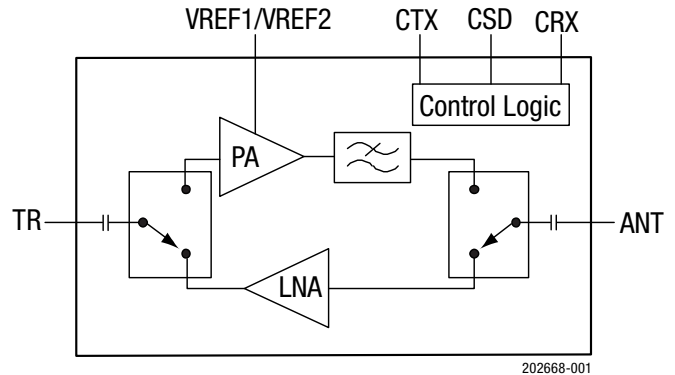


Figure 1. SKY65383-11 Block Diagram

Description

The Skyworks SKY65383-11 is a high-performance, transmit/receive (T/R) front-end module (FEM). The device provides a transmit power amplifier (PA) capable of transmitting greater than +30 dBm of output power at 36 percent power-added efficiency (PAE).

The receive chain features a low-loss, single-pole, double-throw (SPDT) switch and a high-performance low-noise amplifier (LNA) with a 2.5 dB noise figure (NF) and 12 dB receive gain.

All functionality can be controlled using a three-wire interface. The SKY65383-11 can be placed in a deep “sleep” mode, which draws less than 1 μ A of current.

The device is mounted in a 28-pin, 6 x 6 mm Multi-Chip Module (MCM) package, which allows for a highly manufacturable low-cost solution.

A block diagram of the SKY65383-11 is shown in Figure 1. The device package and pinout for the 28-pin MCM are shown in Figure 2. Signal pin assignments and functional pin descriptions are provided in Table 1.

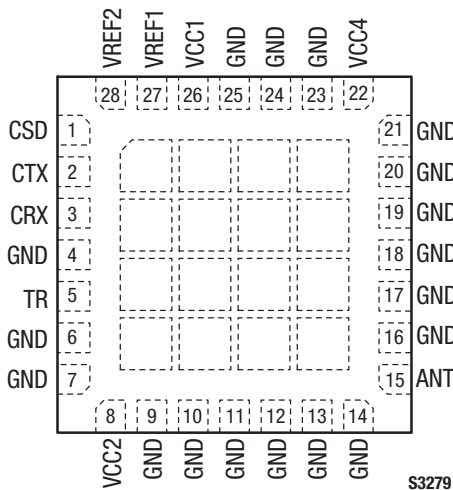


Figure 2. SKY65383-11 Pinout (Top View)

Table 1. SKY65383-11 Signal Descriptions

Pin	Name	Description	Pin	Name	Description
1	CSD	Transmit/receive mode digital control input	15	ANT	Antenna port (internally matched to 50 Ω)
2	CTX	Transmit/receive mode digital control input	16	GND	Ground
3	CRX	Transmit/receive mode digital control input	17	GND	Ground
4	GND	Ground	18	GND	Ground
5	TR	Transmit/receive port	19	GND	Ground
6	GND	Ground	20	GND	Ground
7	GND	Ground	21	GND	Ground
8	VCC2	LNA supply	22	VCC4	PA output stage supply
9	GND	Ground	23	GND	Ground
10	GND	Ground	24	GND	Ground
11	GND	Ground	25	GND	Ground
12	GND	Ground	26	VCC1	PA input stage supply
13	GND	Ground	27	VREF1	1 st stage PA reference voltage
14	GND	Ground	28	VREF2	2 nd stage PA reference voltage

Technical Description

The SKY65383-11 consists of a complete T/R chain with T/R switches contained in the module. An SPDT switch selects between the receive and transmit paths. The module has a sleep mode to minimize power consumption.

Three digital input pins (CSD, CRX, and CTX) are used to select between transmit, receive, or shutdown mode.

Transmit Path

The transmit path contains two SPDT high-isolation switches: one PA optimized for saturated performance and one integrated harmonic filter.

Receive Path

The receive path contains two SPDT high-isolation switches and a high-performance LNA.

Operation Mode Control

The SKY65383-11 operating modes are controlled by the three digital pins: CSD (pin 1), CTX (pin 2), and CRX (pin 3). The control logic is described in Table 2.

Electrical and Mechanical Specifications

The absolute maximum ratings of the SKY65383-11 are provided in Table 3. Recommended operating conditions are specified in Table 4. Electrical specifications are provided in Tables 5, 6, and 7.

Table 2. SKY65383-11 Operating Modes Truth Table¹

Operating Mode	CSD (Pin 1)	CTX (Pin 2)	CRX (Pin 3)	Typical Total Current (μA)
All off (sleep mode) ²	0	0	0	See Table 5
Receive ²	1	0	1	See Table 5
Transmit	1	1	0	See Table 5
Non-permissible	0	0	1	9
Non-permissible	0	1	0	9
Non-permissible	0	1	1	18
Non-permissible	1	0	0	9
Non-permissible	1	1	1	27

¹ See Recommended Operating Conditions (Table 4) for logic 0 and 1 characteristics.

² VREF1 and VREF2 must be 0 V.

Table 3. SKY65383-11 Absolute Maximum Ratings¹

Parameter	Symbol	Minimum	Maximum	Units
PA input supply voltage	Vcc1		5.5	V
PA output supply voltage	Vcc4		5.5	V
PA input supply current	Icc1		300	mA
PA output supply current	Icc4		700	mA
Reference voltage	VREF1, VREF2		3	V
Thermal resistance	ΘJC		22	°C/W
Receive supply voltage	VCC2		3.6	V
Receive supply current	Icc2		7	mA
Receive RF input power @ ANT port	PIN_ANT		0	dBm
ANT port load VSWR in transmit mode	VSWR		10:1	-
Transmit mode duty cycle	TX_DUTY		50	%
Transmit RF input power @ TR port	PIN_TR		+6	dBm
Operating case temperature	TA	-40	+85	°C
Storage temperature	TSTG	-40	+125	°C
Junction temperature	TJ		+125	°C
Electrostatic discharge:	ESD			
Charged Device Module (CDM), Class 3			500	V
Human Body Model (HBM), Class 1A			250	V
Machine Model (MM), Class A			50	V

¹ Exposure to maximum rating conditions for extended periods may reduce device reliability. There is no damage to device with only one parameter set at the limit and all other parameters set at or below their nominal value.

ESD HANDLING: *Although this device is designed to be as robust as possible, electrostatic discharge (ESD) can damage this device. This device must be protected at all times from ESD when handling or transporting. Static charges may easily produce potentials of several kilovolts on the human body or equipment, which can discharge without detection. Industry-standard ESD handling precautions should be used at all times.*

Table 4. SKY65383-11 Recommended Operating Conditions

Parameter	Symbol	Min	Typ	Max	Units
Transmit frequency range	f	2400		2483	MHz
PA supply voltage	VCC1, VCC4	3.0	3.3	4.0	V
PA reference voltage	VREF1, VREF2	2.75	2.85	2.95	V
Receive supply	VCC4	2.7	3.3	3.6	V
Control logic voltage:					
High	V _{IH}	1.65		VCC1	V
Low	V _{IL}	0		0.30	V
Control logic current:					
High	I _{IH}		9		μA
Low	I _{IL}		0.1		μA

Table 5. SKY65383-11 DC Electrical Specifications¹

(VCC1 = VCC2 = VCC4 = 3.3 V, VREF1 = VREF2 = 2.85 V, T_A = +25 °C, Unless Otherwise Noted)

Parameter	Symbol	Test Condition	Min	Typ	Max	Units
VCC2 current, receive mode	I _{CC2}	VREF1 = VREF2 = 0 V		5		mA
Quiescent current, transmit mode	I _{CQ}	Current through VCC1 + VCC4		240		mA
Operating current, transmit mode	I _{OP}	P _{OUT} = +30 dBm, current through VCC1 + VCC4		820		mA
PA reference current 1, transmit mode	I _{REF1}			11	12	mA
PA reference current 2, transmit mode	I _{REF2}			1	2	mA
All VCC current shutdown mode	I _{OFF}	VREF1 = VREF2 = 0 V			1	μA

¹ Performance is guaranteed only under the conditions listed in this table.

Table 6. SKY65383-11 Electrical Specifications: Receive Mode¹

(VCC1 = VCC2 = VCC4 = 3.3 V, VREF1 = VREF2 = 0 V, T_A = +25 °C, Unless Otherwise Noted)

Parameter	Symbol	Test Condition	Min	Typ	Max	Units
ANT to Receive Output						
Small signal gain	G			12		dB
Noise figure	NF			2.5		dB
1 dB input compression point	IP1dB	1 dB gain compression		-12		dBm
Third order input intercept point	IIP3	P _M = -30 dBm/tone, 200 kHz spacing		-3		dBm
Input return loss	S11	@ ANT port		-10		dB
Output return loss	S22	@ TR port		-10		dB
Power-on time ³	T _{PUP}			5		μs
Transmit to receive switching time ^{2,3}				4		μs

¹ Performance is guaranteed only under the conditions listed in this table.

² This assumes that the TX and RX signal transitions are within 100 ns of each other.

³ Not production tested. Guaranteed by characterization.

Table 7. SKY65383-11 Electrical Specifications: Transmit Mode¹
(VCC1 = VCC2 = VCC4 = 3.3 V, VREF1 = VREF2 = 2.85 V, TA = +25 °C, Unless Otherwise Noted)

Parameter	Symbol	Test Condition	Min	Typ	Max	Units
Transmit to ANT Path						
Output power	P _{OUT}			+30		dBm
Small signal gain	IS _{21I}	P _{IN} = -20 dBm		34		dB
Power-added efficiency	PAE	Measured at ANT port		36		%
2 nd harmonic ³	2fo				-42	dBm/MHz
3 rd to 10 th harmonics ³	3fo to 10fo				-42	dBm/MHz
Input return loss	S ₁₁	@ TR port		-7.5		dB
Output return loss	S ₂₂	@ ANT port		-10		dB
Non-harmonic spurious ³	PSPUR	VSWR 6:1, all phases			-40	dBm
Power-on time ³	TPUP			5		μs
Receive to transmit switching time ^{2,3}				800		ns
ANT to Receive Path						
Isolation	S ₂₁	Isolation between ANT and TR ports when in transmit mode	25	30		dB

¹ Performance is guaranteed only under the conditions listed in this table.
² This assumes that the TX and RX signal transitions are within 100 ns of each other.
³ Not production tested. Guaranteed by characterization.

Evaluation Board Description

The SKY65383-11 Evaluation Board is used to test the performance of the SKY65383-11 T/R FEM. A typical application schematic diagram is provided in Figure 4. A photograph of the Evaluation Board is shown in Figure 5. Component values for the SKY65383-11 Evaluation Board are listed in Table 8.

Package Dimensions

Part marking is shown in Figure 3. The PCB layout footprint for the SKY65383-11 is provided in Figure 6. Package dimensions are shown in Figure 7, and tape and reel dimensions are provided in Figure 8.

Package and Handling Information

Since the device package is sensitive to moisture absorption, it is baked and vacuum packed before shipping. Instructions on the shipping container label regarding exposure to moisture after the container seal is broken must be followed. Otherwise, problems related to moisture absorption may occur when the part is subjected to high temperature during solder assembly.

The SKY65383-11 is rated to Moisture Sensitivity Level 3 (MSL3) at 260 °C. It can be used for lead or lead-free soldering. For additional information, refer to Skyworks Application Note, *PCB Design and SMT Assembly/Rework Guidelines for MCM-L Packages*, document number 101752.

Care must be taken when attaching this product, whether it is done manually or in a production solder reflow environment. Production quantities of this product are shipped in a standard tape and reel format.

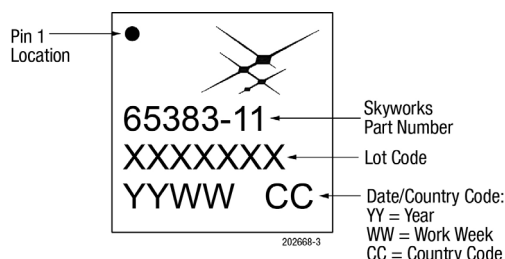


Figure 3. SKY65383-11 Typical Part Marking, Top View

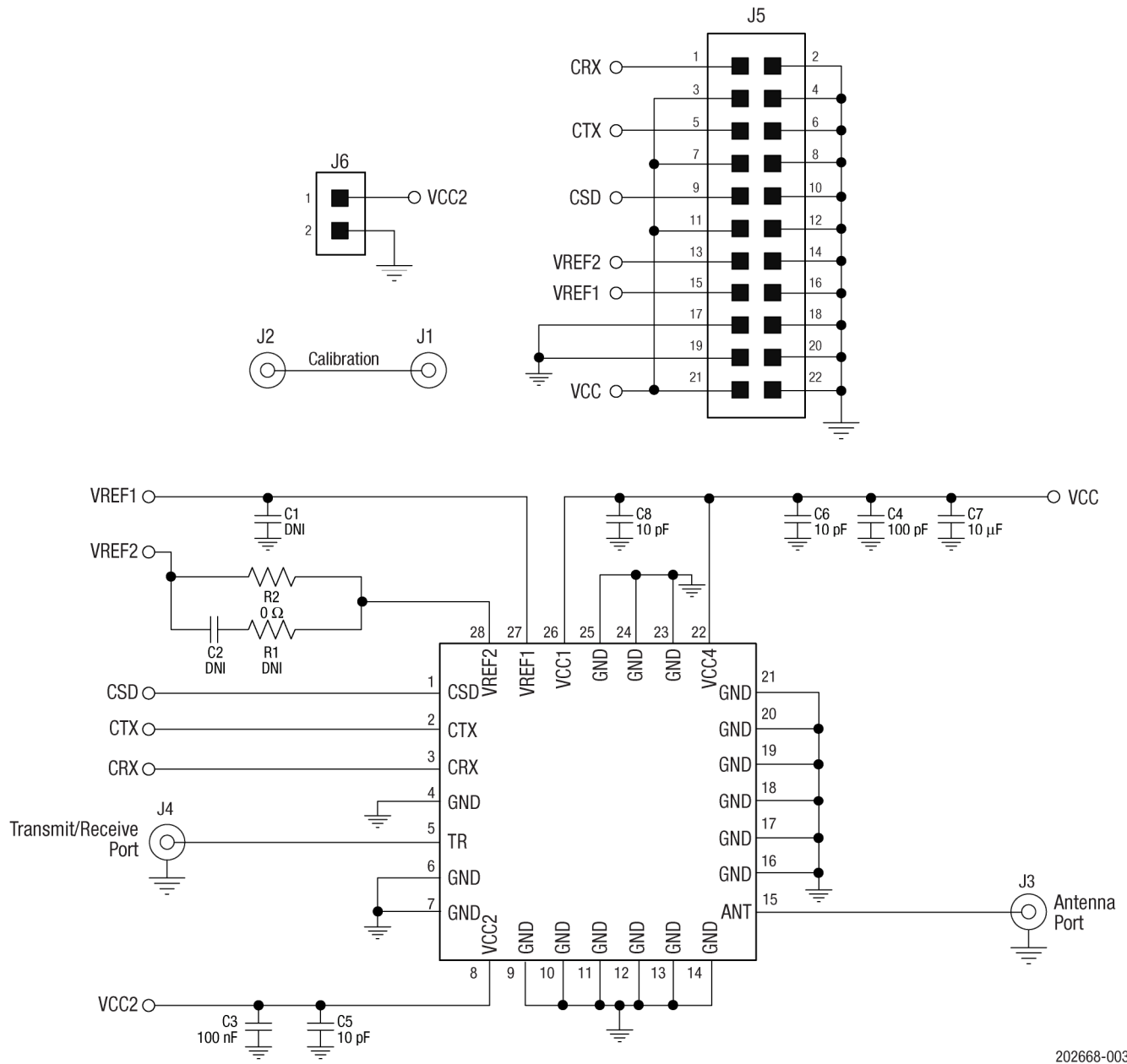


Figure 4. SKY65383-11 Typical Application Schematic

202668-003

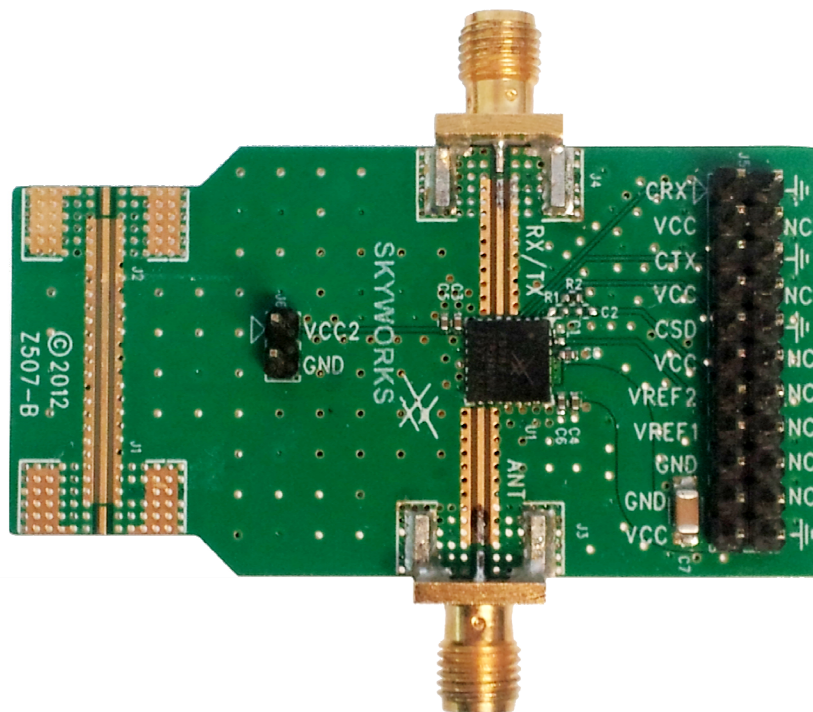
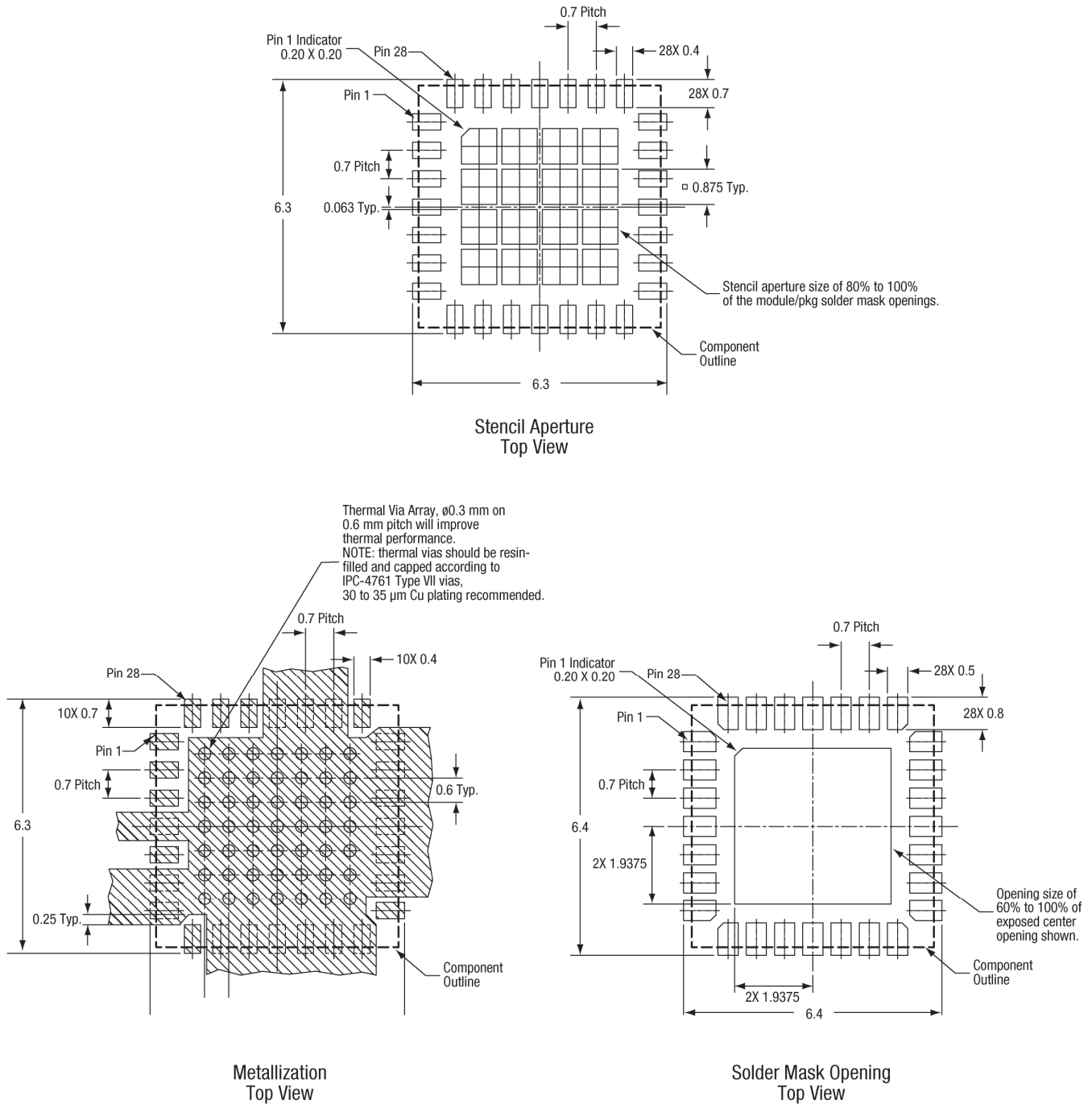


Figure 5. SKY65383-11 Evaluation Board

Table 8. SKY65383-11 Evaluation Board Bill of Materials (BOM)

Component	Size	Value	Vendor	Mfr Part Number	Comments
C1, C2	DNI	-	-	-	-
C3, C4	0402	100 nF	Murata	GRM155R61A104KA01	Multilayer ceramic
C5, C6, C8	0402	10 pF	Murata	GRM1555C1H100JZ01	Multilayer ceramic
C7	1206	10 μF	Murata	GRM31CR71C106KAC7L	Multilayer ceramic
J1, J2	End launch	DNI/SMA	Johnson Components	142-0701-851	SMA end launch straight jack receptacle, tab contact
J3, J4	End launch	SMA	Johnson Components	142-0701-851	SMA end launch straight jack receptacle, tab contact
J5	100 mil	11x2	Molex	10-89-1221	100 mil header
J6	100 mil	2x1	Samtec	TSW-102-07-G-S	100 mil header
R1	DNI	-	-	-	-
R2	0402	0 Ω	Panasonic	ERJ2GE0R00	Thick film chip resistor

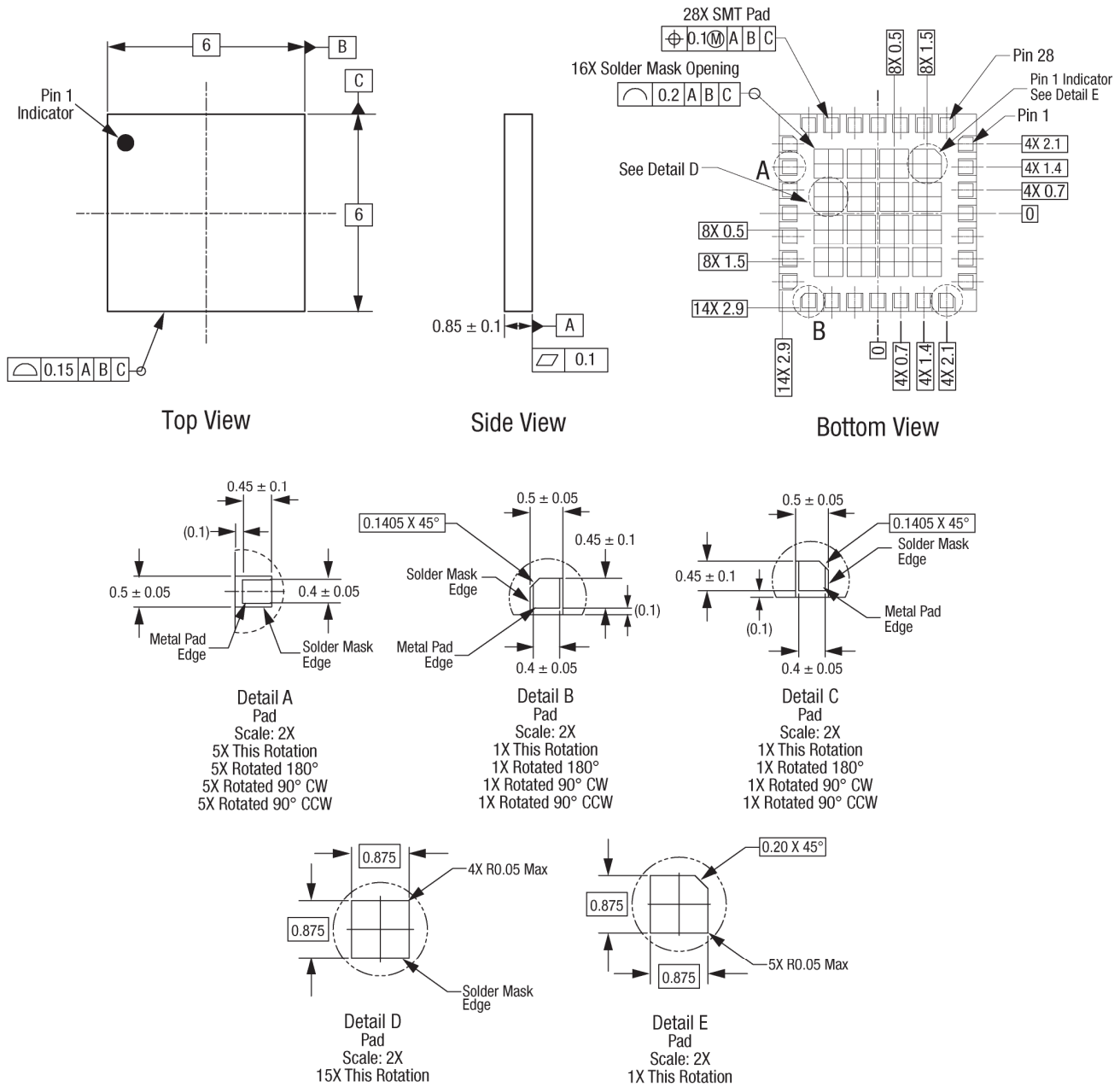


All dimensions are in millimeters

202668-005

Figure 6. SKY65383-11 PCB Layout Footprint

DATA SHEET • SKY65383-11: TRANSMIT/RECEIVE FRONT-END MODULE

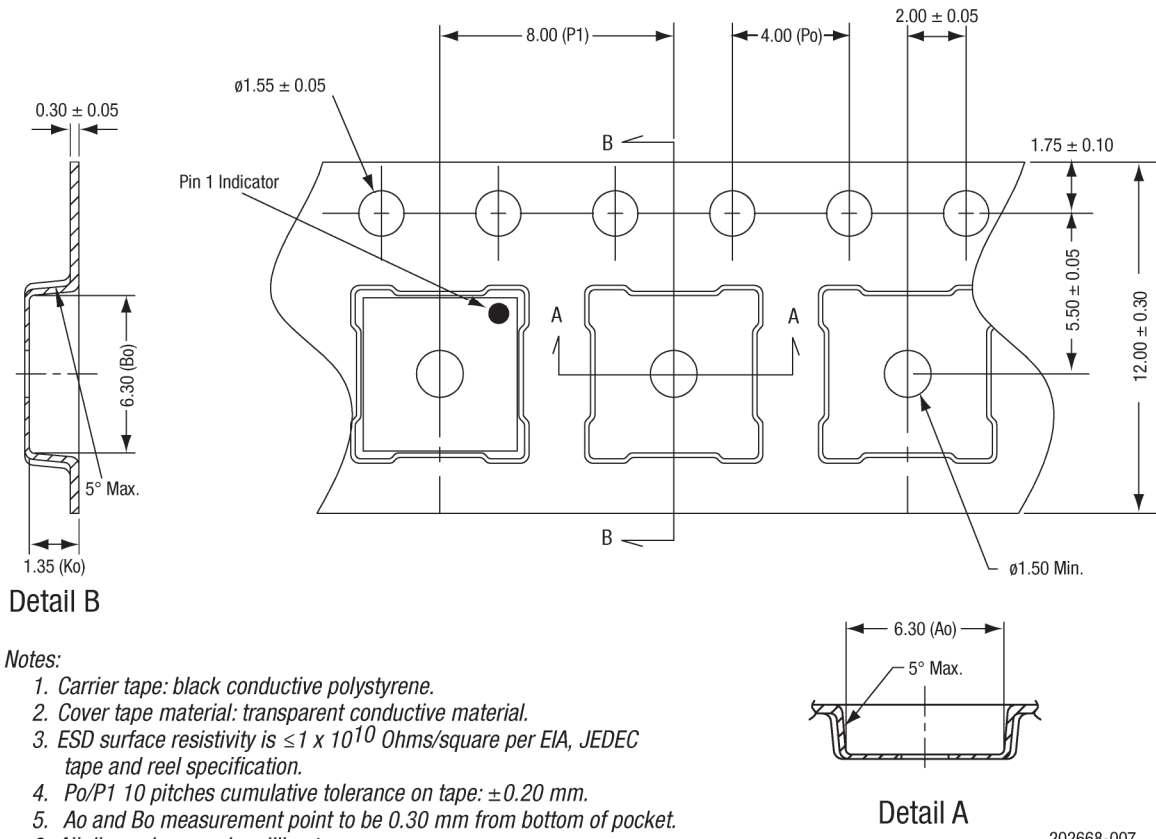


- Notes:
1. All measurements are in millimeters.
 2. Dimensioning and tolerancing according to ASME Y14.5M-1994.
 3. Pad definitions per details on drawing.

202668-006

Figure 7. SKY65383-11 Package Dimensions

DATA SHEET • SKY65383-11: TRANSMIT/RECEIVE FRONT-END MODULE



- Notes:**
1. Carrier tape: black conductive polystyrene.
 2. Cover tape material: transparent conductive material.
 3. ESD surface resistivity is $\leq 1 \times 10^{10}$ Ohms/square per EIA, JEDEC tape and reel specification.
 4. Po/P1 10 pitches cumulative tolerance on tape: ± 0.20 mm.
 5. Ao and Bo measurement point to be 0.30 mm from bottom of pocket.
 6. All dimensions are in millimeters.

Figure 8. SKY65383-11 Tape and Reel Dimensions

Ordering Information

Part Number	Product Description	Evaluation Board Part Number
SKY65383-11	T/R Front-End Module	SKY65383-11EK1 (Z507-B)

Copyright © 2020 Skyworks Solutions, Inc. All Rights Reserved.

Information in this document is provided in connection with Skyworks Solutions, Inc. (“Skyworks”) products or services. These materials, including the information contained herein, are provided by Skyworks as a service to its customers and may be used for informational purposes only by the customer. Skyworks assumes no responsibility for errors or omissions in these materials or the information contained herein. Skyworks may change its documentation, products, services, specifications or product descriptions at any time, without notice. Skyworks makes no commitment to update the materials or information and shall have no responsibility whatsoever for conflicts, incompatibilities, or other difficulties arising from any future changes.

No license, whether express, implied, by estoppel or otherwise, is granted to any intellectual property rights by this document. Skyworks assumes no liability for any materials, products or information provided hereunder, including the sale, distribution, reproduction or use of Skyworks products, information or materials, except as may be provided in Skyworks Terms and Conditions of Sale.

THE MATERIALS, PRODUCTS AND INFORMATION ARE PROVIDED “AS IS” WITHOUT WARRANTY OF ANY KIND, WHETHER EXPRESS, IMPLIED, STATUTORY, OR OTHERWISE, INCLUDING FITNESS FOR A PARTICULAR PURPOSE OR USE, MERCHANTABILITY, PERFORMANCE, QUALITY OR NON-INFRINGEMENT OF ANY INTELLECTUAL PROPERTY RIGHT; ALL SUCH WARRANTIES ARE HEREBY EXPRESSLY DISCLAIMED. SKYWORKS DOES NOT WARRANT THE ACCURACY OR COMPLETENESS OF THE INFORMATION, TEXT, GRAPHICS OR OTHER ITEMS CONTAINED WITHIN THESE MATERIALS. SKYWORKS SHALL NOT BE LIABLE FOR ANY DAMAGES, INCLUDING BUT NOT LIMITED TO ANY SPECIAL, INDIRECT, INCIDENTAL, STATUTORY, OR CONSEQUENTIAL DAMAGES, INCLUDING WITHOUT LIMITATION, LOST REVENUES OR LOST PROFITS THAT MAY RESULT FROM THE USE OF THE MATERIALS OR INFORMATION, WHETHER OR NOT THE RECIPIENT OF MATERIALS HAS BEEN ADVISED OF THE POSSIBILITY OF SUCH DAMAGE.

Skyworks products are not intended for use in medical, lifesaving or life-sustaining applications, or other equipment in which the failure of the Skyworks products could lead to personal injury, death, physical or environmental damage. Skyworks customers using or selling Skyworks products for use in such applications do so at their own risk and agree to fully indemnify Skyworks for any damages resulting from such improper use or sale.

Customers are responsible for their products and applications using Skyworks products, which may deviate from published specifications as a result of design defects, errors, or operation of products outside of published parameters or design specifications. Customers should include design and operating safeguards to minimize these and other risks. Skyworks assumes no liability for applications assistance, customer product design, or damage to any equipment resulting from the use of Skyworks products outside of stated published specifications or parameters.

Skyworks and the Skyworks symbol are trademarks or registered trademarks of Skyworks Solutions, Inc. or its subsidiaries in the United States and other countries. Third-party brands and names are for identification purposes only, and are the property of their respective owners. Additional information, including relevant terms and conditions, posted at www.skyworksinc.com, are incorporated by reference.

X-ON Electronics

Largest Supplier of Electrical and Electronic Components

Click to view similar products for [RF Front End](#) category:

Click to view products by [Skyworks](#) manufacturer:

Other Similar products are found below :

[SE2622L-R](#) [BGM1032N7E6327XUSA1](#) [LX5586LL](#) [SKY85703-11](#) [LX5586HLL](#) [LX5586ALL](#) [SKY66111-21](#) [SKY65728-11](#) [SKY68000-31](#)
[SKY85308-11](#) [SKY85302-11](#) [SKY65724-11](#) [ADTR1107ACCZ](#) [LMP91051MTX/NOPB](#) [SE5501L-R](#) [QPF4519SR](#) [SE5503A-R](#)
[ADA8282WBCPZ](#) [ADRF5545ABCPZN](#) [ADRF5545ABCPZN-R7](#) [AD8283WBCPZ](#) [AD8284WCSVZ](#) [ADRF5547BCPZN](#)
[ADRF5547BCPZN-R7](#) [ADRF5549BCPZN](#) [ADRF5549BCPZN-R7](#) [HV7350K6-G](#) [SE5516A-R](#) [MCP2030-I/SL](#) [MAX2009ETI+](#)
[MAX2078CTK+](#) [MAX2335ETI+](#) [MAX2678GTB/V+T](#) [MD2131K7-G](#) [MD2134K7-G](#) [RFFM6903TR13](#) [HV7351K6-G](#) [MCP2035-I/ST](#)
[SE2614BT-R](#) [SE2438T-R](#) [SST12LF02-QXCE](#) [SST12LF09-Q3CE](#) [RFX2401C](#) [RFX2402E](#) [SKY85201-11](#) [RFFM4591FTR7](#) [RFFM8211TR7](#)
[RFFM4293TR7](#) [RFFM4203TR7](#) [RFFM5765QTR7](#)