

DATA SHEET

SKY66100-11: 169 to 170 MHz Transmit/Receive Front-End Module

Applications

- Automated meter reading
- Advanced metering infrastructure
- ISM systems

Features

- Transmit output power: $>+27$ dBm
- High efficiency PA
- Receive loss: <0.4 dB
- Transmit bypass mode with 0.9 dB insertion loss
- Sleep mode current: $< 1 \mu\text{A}$
- Integrated control logic
- Small footprint MCM (16-pin, 4 x 4 mm) package (MSL3, 260 °C per JEDEC J-STD-020)



Skyworks Green™ products are compliant with all applicable legislation and are halogen-free. For additional information, refer to *Skyworks Definition of Green™*, document number SQ04-0074.

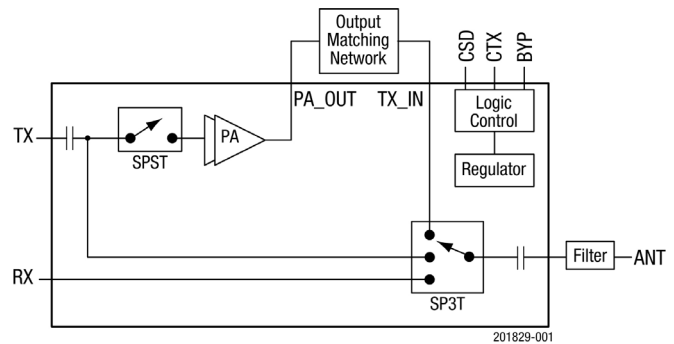


Figure 1. SKY66100-11 FEM Block Diagram

Description

The SKY66100-11 is a high-performance, transmit/receive (Tx/Rx) front-end module (FEM). The device includes a power amplifier (PA) capable of more than +27 dBm of transmit output power at more than 45 percent PAE for the module (55 percent for the standalone PA). For current-sensitive applications, the PA can be bypassed to save battery current.

All functionality can be controlled by a three-wire interface. The FEM can be placed in a deep “sleep” mode, drawing less than 1 μA of current.

The receive chain consists of a low-loss single-pole, triple-throw (SP3T) switch, which provides an insertion loss of approximately 0.4 dB. Three separate Vcc pins enable maximum RF isolation.

The SKY66100-11 is packaged in a 16-pin, 4 x 4 mm Multi-Chip Module (MCM), which allows for a highly manufacturable low-cost solution.

A functional block diagram of the SKY66100-11 is shown in Figure 1. The 16-pin MCM package and pinout are shown in Figure 2. Signal pin assignments and functional pin descriptions are provided in Table 1.

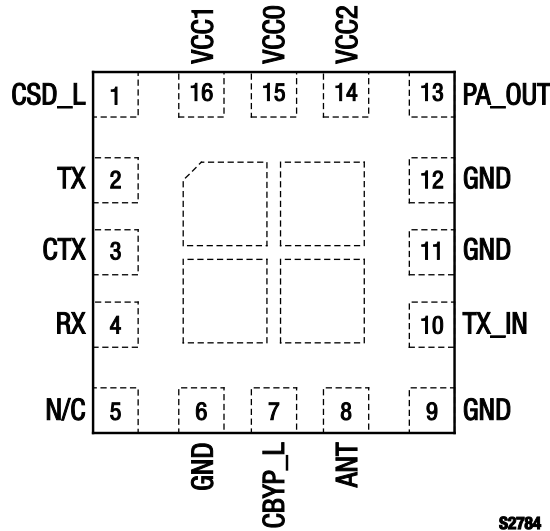


Figure 2. SKY66100-11 Pinout - 16-Pin MCM (Top View)

Table 1. SKY66100-11 Signal Descriptions

| Pin | Name | Description | Pin | Name | Description |
|-----|--------|-------------------------------------|-----|--------|---|
| 1 | CSD_L | Control, shutdown/sleep, active low | 9 | GND | Ground |
| 2 | TX | Transmit RF input | 10 | TX_IN | Transmit input. Externally filtered signal. |
| 3 | CTX | Control, transmit modes | 11 | GND | Ground |
| 4 | RX | Receive RF output | 12 | GND | Ground |
| 5 | N/C | No connection | 13 | PA_OUT | PA output |
| 6 | GND | Ground | 14 | VCC2 | Supply for second stage of PA |
| 7 | CBYP_L | Control, transmit bypass mode | 15 | VCC0 | Supply for logic, regulator, bias |
| 8 | ANT | Antenna I/O | 16 | VCC1 | Supply for first stage of PA |

Technical Description

The SKY66100-11 consists of a complete Tx/Rx chain with Tx/Rx switches contained in the module. An SP3T switch selects between receive, transmit, and transmit bypass paths. The module has a shutdown mode to minimize power consumption.

Three digital input control pins (CSD_L, CTX, and CBYP_L) are used to select between shutdown, Tx/Rx, or transmit bypass mode, respectively.

The bypass mode can also be configured to power-down the PA and remove it from the RF path using an internal single-pole, single-throw (SPST) switch.

The transmit path contains a PA optimized for saturated performance. The PA can be passed through an external impedance matching network and harmonic filter before being fed through the SP3T switch. External inductors for each of the two PA stages provide maximum application flexibility.

Electrical and Mechanical Specifications

The absolute maximum ratings of the SKY66100-11 are provided in Table 2. The recommended operating conditions are specified in Table 3, and electrical specifications are provided in Tables 4 through 7.

The state of the SKY66100-11 is determined by the logic provided in Table 8.

Typical performance characteristics are shown in Figures 3 through 11.

Table 2. SKY66100-11 Absolute Maximum Ratings¹

| Parameter | Symbol | Minimum | Maximum | Units |
|--|---------|---------|---------|-------|
| Supply voltage (Pins: VCC0, VCC1, VCC2) | VCC | -0.3 | +3.8 | V |
| Digital input voltage (Pins: CSD_L, CTX, CBYP_L) | VCTL | -0.5 | VCC | V |
| Receive mode (Pin: ANT) | PIN_ANT | | +15 | dBm |
| Transmit mode (Pin: TX) | PIN_TX | | -4 | dBm |
| Transmit RF input power, transmit bypass mode (Pin:TX) | PIN_TXB | | +20 | dBm |
| Transmit output power | POUT | | +28 | dBm |
| Voltage Standing Wave Ratio | VSWR | | 10:1 | - |
| Thermal resistance | ΘJC | | 14.7 | °C/W |
| Operating temperature | Tc | -40 | +85 | °C |
| Storage temperature | TSTG | -55 | +150 | °C |
| Junction temperature | TJ | | +150 | °C |

¹ Exposure to maximum rating conditions for extended periods may reduce device reliability. There is no damage to device with only one parameter set at the limit and all other parameters set at or below their nominal value. Exceeding any of the limits listed here may result in permanent damage to the device.

ESD HANDLING: *Although this device is designed to be as robust as possible, electrostatic discharge (ESD) can damage this device. This device must be protected at all times from ESD when handling or transporting. Static charges may easily produce potentials of several kilovolts on the human body or equipment, which can discharge without detection. Industry-standard ESD handling precautions should be used at all times.*

Table 3. SKY66100-11 Recommended Operating Conditions

| Parameter | Symbol | Min | Typ | Max | Units |
|---|--------|-----|-----|-----|-------|
| Operating frequency range | f | 169 | | 170 | MHz |
| Supply voltage (Pins: VCC0, VCC1, VCC2) | VCC | 2.0 | 3.3 | 3.6 | V |
| Receive RF input power (Pin: RX) | PIN_RX | | | -15 | dBm |
| Transmit RF input power, transmit mode (Pin:TX) | PIN_TX | | -6 | | dBm |
| Transmit RF input power, transmit bypass mode (Pin: TX) | PIN_TX | | +15 | +20 | dBm |
| Transmit mode duty cycle | | | | 50 | % |

Table 4. SKY66100-11 DC Electrical Specifications¹
(V_{CC} = +3.3 V, T_c = +25 °C, with Output Matching Network as Noted, Unless Otherwise Noted)

| Parameter | Symbol | Test Condition | Min | Typ | Max | Units |
|---|----------------------|---|-----|------------|-----|----------|
| Receive quiescent current (Pins: VCC0, VCC1, VCC2) | I _{Q_RX} | Rx mode ² | | 680 | | μA |
| Transmit quiescent current (Pins : VCC0, VCC1, VCC2) | I _{Q_TX} | Tx mode | | 15 | | mA |
| Transmit bypass quiescent current (Pins: VCC0, VCC1, VCC2) | I _{Q_TXBYP} | Tx bypass mode ² | | 680 | | μA |
| Transmit operating current (Pins: VCC0, VCC1, VCC2) | I _{OP_TX} | TX mode: V _{CC} = 3.3 V, P _{OUT} = +24 dBm ^{3, 5} V _{CC} = 3.6 V, P _{OUT} = +27 dBm ⁴ | | 210 325 | | mA mA |
| Shutdown current (Pins: VCC0, VCC1, VCC2) ^{5, 6, 7} | I _{SD} | Shutdown/sleep mode | | 0.02 | 1.0 | μA |

¹ Performance is guaranteed only under the conditions listed in this table.
² Does not include control pin currents. See Table 7 for more information.
³ Requires EK1 output match network designed for +24 dBm. See Figure 3. Contact Skyworks Application Support for more information.
⁴ Requires EK2 output match network designed for +27 dBm. See Figure 4. Contact Skyworks Application Support for more information.
⁵ Not production tested.
⁶ Shutdown mode functionally verified in production to be less than 1 mA.
⁷ All controls must be <0.1 V to achieve the specified sleep current.

Table 5. SKY66100-11 Receive Mode Electrical Specifications¹
(V_{CC} = +3.3 V, T_c = +25 °C, f = 169 to 170 MHz, Characteristic Source and Load Impedance = 50 Ω, CW Input, Unless Otherwise Noted)

| Parameter | Symbol | Test Condition | Min | Typ | Max | Units |
|--|--------------------|-------------------------------|-----|-----|-----|-------|
| <i>Receive Mode: ANT to RX Output Path²</i> | | | | | | |
| Insertion loss ³ | IL | | | 0.4 | | dB |
| 1 dB input compression point ⁴ | IP1dB | | +15 | | | dBm |
| Third order input intercept point ⁴ | IIP3 | | +29 | | | dBm |
| Input return loss ⁴ | IS11I | | 8 | | | dB |
| Power-on time, RX ^{4, 5} | T _{ON_RX} | Final mode = RX (see Table 8) | | 1 | | μs |

¹ Performance is guaranteed only under the conditions listed in this table.
² Mode configured according to logic shown in Table 8.
³ Insertion loss increases to 0.9 dB when using an external antenna filter. See Figure 3.
⁴ Not production tested.
⁵ Elapsed time is from sleep mode to the final mode indicated in Table 8. A final mode is considered achieved when its corresponding P_{OUT} is at least 90% of its final value.

Table 6. SKY66100-11 Transmit Mode Electrical Specifications^{1, 2}

(V_{CC} = +3.3 V, T_c = +25 °C, f = 169 to 170 MHz, Characteristic Source and Load Impedance = 50 Ω, with Output Matching Network as in Figure 3, CW Input, Unless Otherwise Noted)

| Parameter | Symbol | Test Condition | Min | Typ | Max | Units |
|--|--------------------|--|-----|------------|-----|------------|
| Transmit Mode: TX to PA_OUT → TX_IN to ANT Path³ | | | | | | |
| Output power | P _{OUT} | V _{CC} = 3.6 V ⁴ V _{CC} = 3.3 V ^{5,6} | | +27 +24 | | dBm dBm |
| PA power added efficiency ⁷ | PAE _{PA} | At PA_OUT pin ⁴ At PA_OUT pin ^{5,6} | | 45 55.8 | | % % |
| 2 nd harmonic ^{6,8} | 2fo | | | | -36 | dBm |
| 3 rd to 10 th harmonics ^{6,8} | 3fo | | | | -54 | dBm |
| | 4fo | | | | -54 | dBm |
| | 5fo | | | | -54 | dBm |
| | 6fo | | | | -54 | dBm |
| | 7fo | | | | -54 | dBm |
| | 8fo | | | | -54 | dBm |
| | 9fo | | | | | -54 |
| Input return loss ^{6,9} | IS11I | PIN = -30 dBm | 8 | | | dB |
| Output return loss ^{3,6} | IS22I | PIN = -30 dBm | 6 | | | dB |
| Non-harmonic spurious power ^{6,8,10} | | VSWR = 5:1, all phases | | | -40 | dBm |
| Power-on time ^{6,11} | T _{ON_TX} | Final mode = transmit (see Table 8) | | 2.8 | | μs |
| Receive isolation ¹³ | ISRXTXI | | | 12 | | dB |
| Transmit Bypass Mode: TX to ANT Path | | | | | | |
| Insertion loss ¹² | IL | V _{CC} = 3.0 to 3.6 V | | 0.9 | | dB |
| 1 dB input compression point ⁶ | IP1dB | | 21 | | | dBm |
| 2 nd harmonic ^{6,8} | 2fo | PIN _{TX} = +20 dBm | | | -36 | dBm |
| 3 rd to 5 th harmonics ^{6,8} | 3fo-5fo | PIN _{TX} = +20 dBm | | | -54 | dBm |
| Input return loss ^{6,9} | IS11I | | 6 | | | dB |
| Output return loss ^{3,6} | IS22I | | 8 | | | dB |
| Transition time ^{6,11} | t _{ON} | Final mode = transmit bypass (see Table 8) | | 1 | | μs |
| Receive isolation | ISRXTXI | PIN _{TX} = +20 dBm | | 25 | | dB |

¹ Performance is guaranteed only under the conditions listed in this table.

² Mode configured according to logic shown in Table 8.

³ External output matching network and filter located between PA_OUT and TX_IN (pins 13 and 10, respectively).

⁴ Requires EK2 output match network designed for +27 dBm. See Figure 4. Contact Skyworks Application Support for more information.

⁵ Requires EK1 output match network designed for +24 dBm. See Figure 3. Contact Skyworks Application Support for more information.

⁶ Not production tested.

⁷ Calculated from Evaluation Board test results with loss of output matching network.

⁸ Final performance dependent on external filter. The 2nd to 10th harmonics are fully characterized but are not production tested.

⁹ External input matching network.

¹⁰ Measurement performed with spectrum analyzer (RBW = 100 kHz for frequencies < 1 GHz and RBW = 1 MHz for frequencies between 1 GHz and 10 GHz).

¹¹ Elapsed time is from sleep mode to the final mode indicated in Table 8. A final mode is considered achieved when its corresponding P_{OUT} is at least 90% of its final value.

¹² The insertion loss increases to 2 dB in TX bypass mode with the external input match. The RX bypass is not affected.

¹³ Includes gain of PA.

Table 7. SKY66100-11 Electrical Specifications: Control Logic Characteristics¹
(T_c = +25 °C, Unless Otherwise Noted)

| Parameter | Symbol | Test Condition | Min | Typical | Max | Units |
|-------------------------------|-----------------|------------------------|-----|---------|-----------------|-------|
| Control voltage: ² | | | | | | |
| High | V _{IH} | | 1.6 | | V _{CC} | V |
| Low | V _{IL} | | 0 | | 0.7 | V |
| Input current: ³ | | T _c = 25 °C | | | | |
| High | I _{IH} | | | 36 | | μA |
| Low | I _{IL} | | | 0 | | μA |

¹ Performance is guaranteed only under the conditions listed in this table. Control logic input signals are: CSD_L, CTX, and CBYP_L.

² Not production tested.

³ Each control pin has a 100 kΩ pull-down resistor.

Table 8. SKY66100-11 Mode Control Logic¹

| Mode | RF Signal Path Pin → Pin | CSD_L (Pin 1) | CTX (Pin 3) | CBYP_L (Pin 7) |
|-----------------|-----------------------------|------------------|----------------|-------------------|
| Sleep | (Note 2) | 0 | X | X |
| Transmit bypass | TX → ANT | 1 | 1 | 0 |
| Receive | ANT → RX | 1 | 0 | X |
| Transmit | TX to PA_OUT → TX_IN to ANT | 1 | 1 | 1 |

¹ "1" = 1.6 to V_{CC}, "0" = 0 to 0.7 V, "X" = don't care.

² All I/O are disconnected from internal components.

Typical Performance Characteristics
 (VCC = 3.6 V, f = 169 MHz CW Signal, Unless Otherwise Noted)

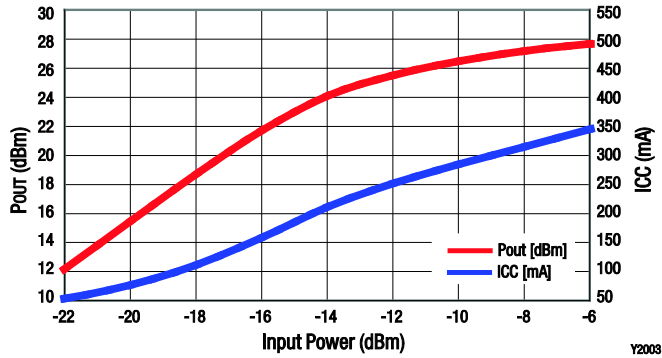


Figure 3. Pout and ICC vs Pin

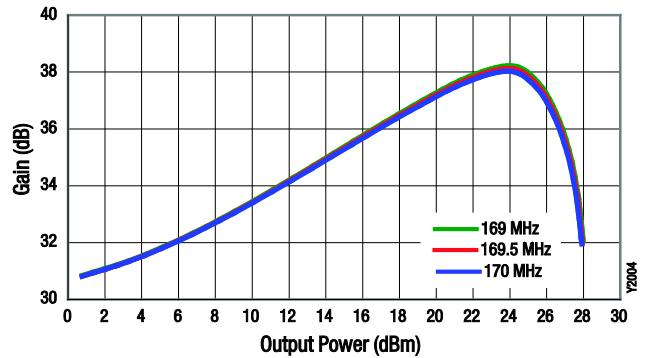


Figure 4. Gain vs. Pout

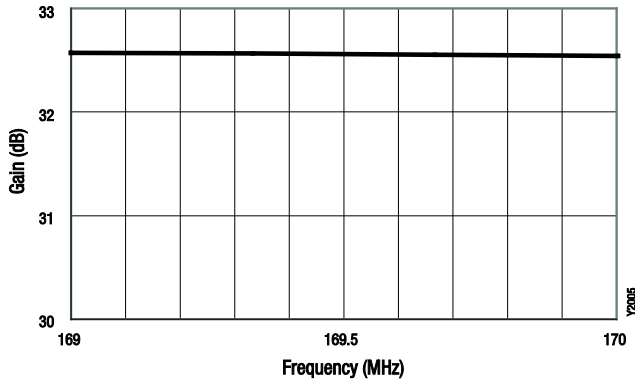


Figure 5. Small Signal Gain vs Frequency

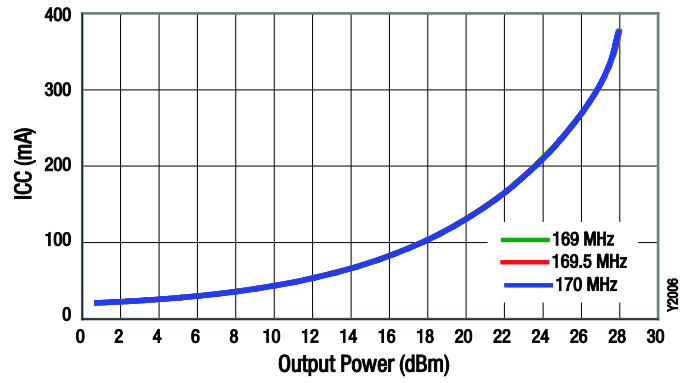


Figure 6. ICC vs Pout

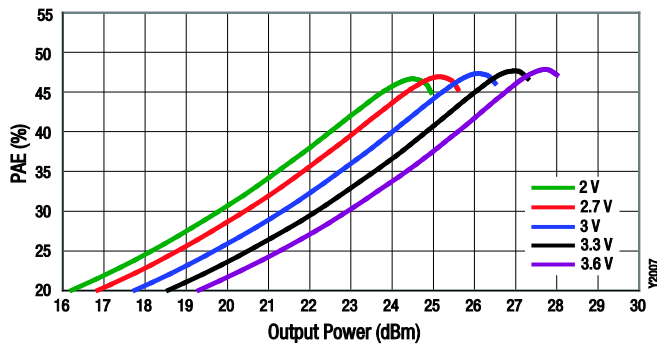


Figure 7. PAE vs Pout and VCC

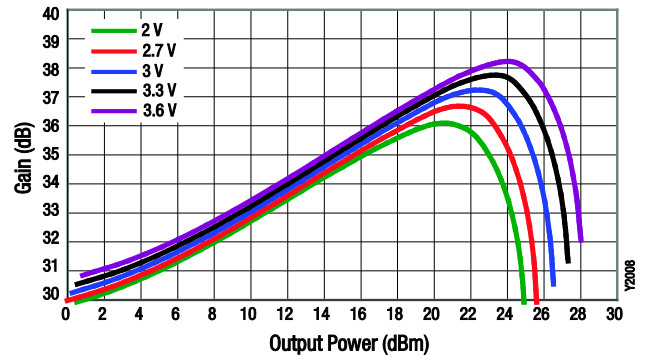


Figure 8. Gain vs Pout and VCC

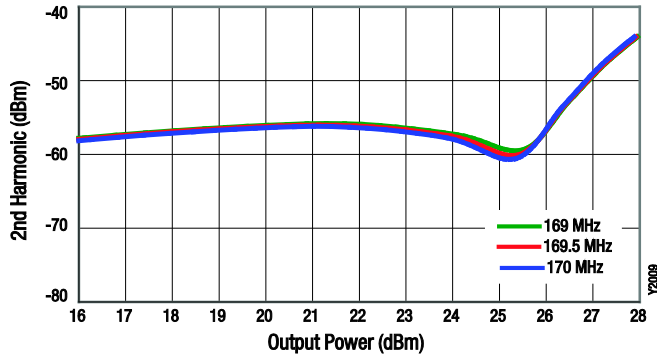


Figure 9. 2nd Harmonic vs Pout

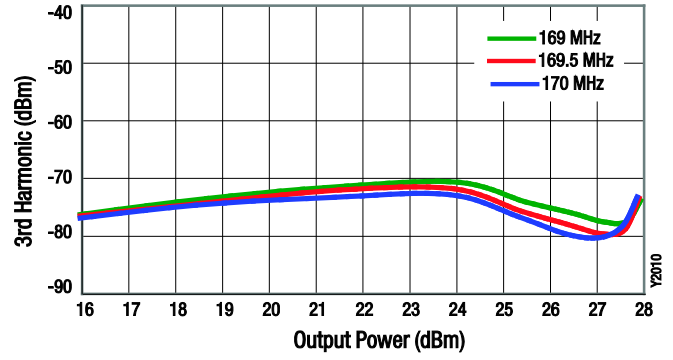


Figure 10. 3rd Harmonic vs Pout

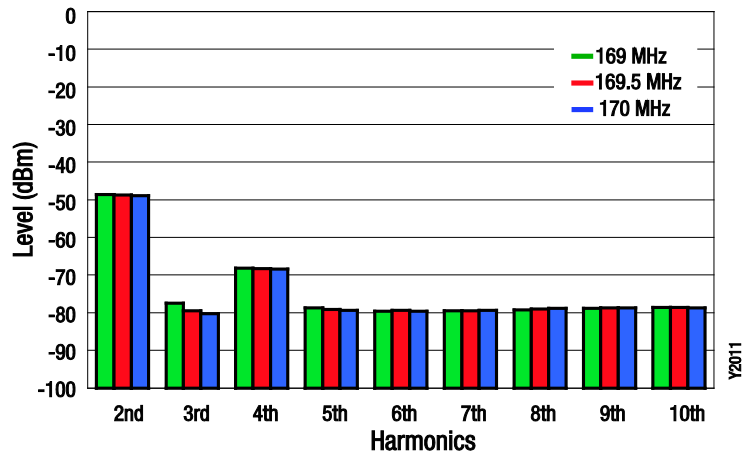


Figure 11. Harmonics at POUT = +27 dBm

Evaluation Board Description

The SKY66100-11 Evaluation Board is used to test the performance of the SKY66100-11 FEM. Evaluation Board schematic diagrams are provided in Figure 12 (EK-1 board, +24 dBm) and in Figure 13 (EK-2 board, +27 dBm). An assembly drawing for the Evaluation Board is shown in Figure 14.

Package Dimensions

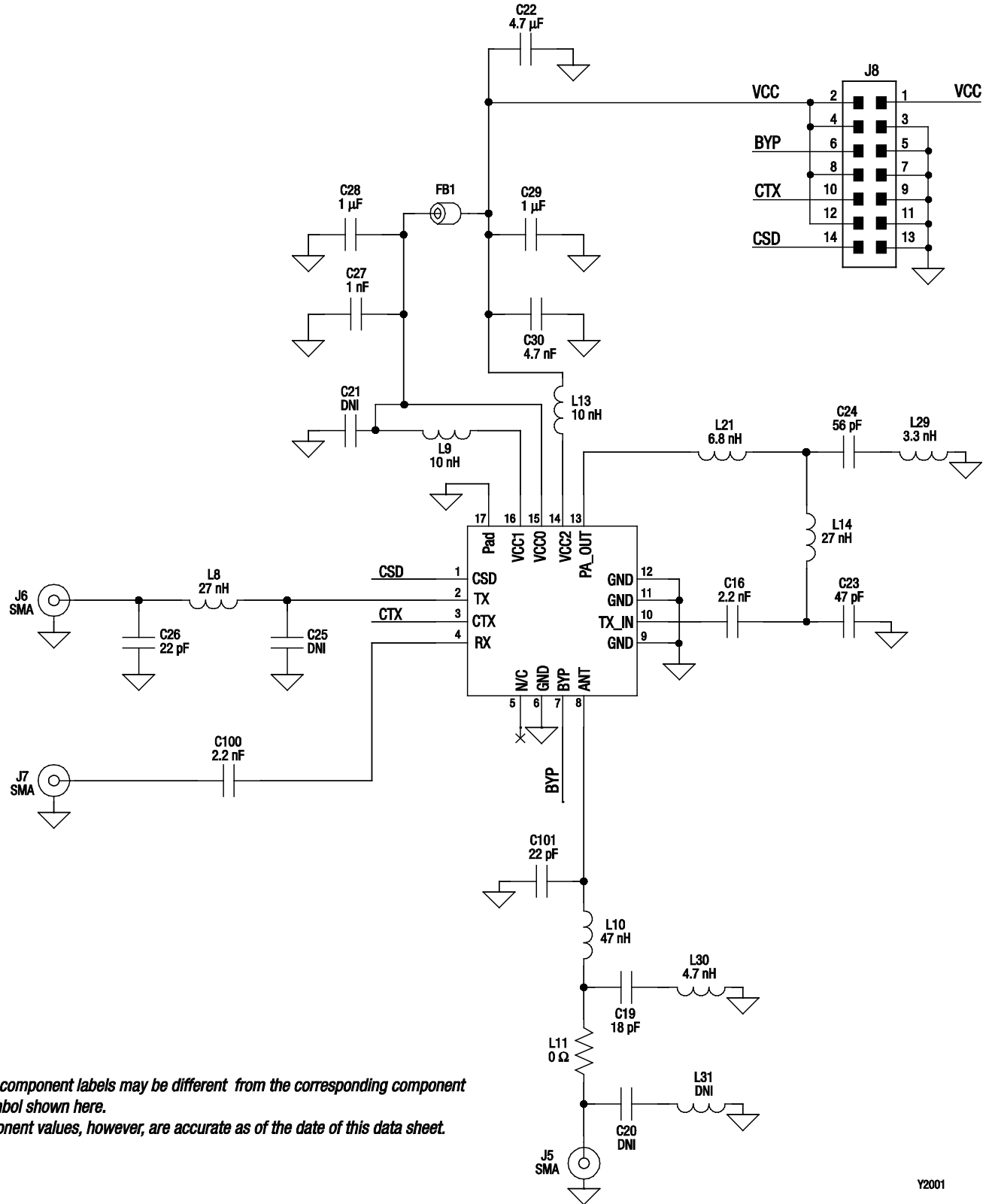
The typical part marking for the SKY66100-11 is shown in Figure 15. The PCB layout footprint for the SKY66100-11 is provided in Figure 16. Figure 17 shows the package dimensions for the 16-pin MCM, and Figure 18 provides the tape and reel dimensions.

Package and Handling Information

Since the device package is sensitive to moisture absorption, it is baked and vacuum packed before shipping. Instructions on the shipping container label regarding exposure to moisture after the container seal is broken must be followed. Otherwise, problems related to moisture absorption may occur when the part is subjected to high temperature during solder assembly.

The SKY66100-11 is rated to Moisture Sensitivity Level 3 (MSL3) at 260 °C. It can be used for lead or lead-free soldering. For additional information, refer to the Skyworks Application Note, *PCB Design and SMT Assembly/Rework Guidelines for MCM-L Packages*, document number 101752.

Care must be taken when attaching this product, whether it is done manually or in a production solder reflow environment. Production quantities of this product are shipped in a standard tape and reel format.

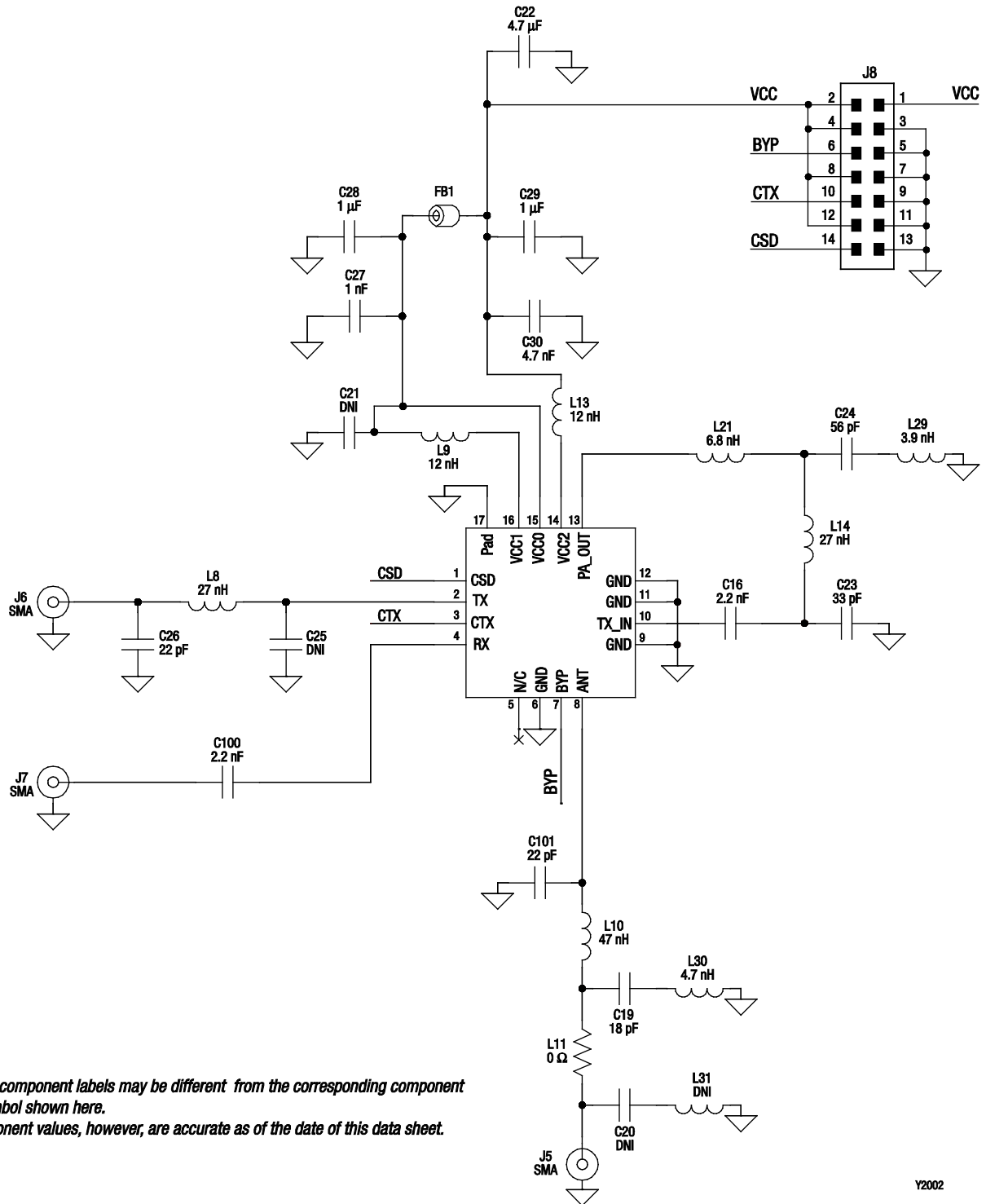


Notes:

Some component labels may be different from the corresponding component symbol shown here.
 Component values, however, are accurate as of the date of this data sheet.

Figure 12. SKY66100-11 EK-1 Evaluation Board Schematic (+24 dBm)

Y2001

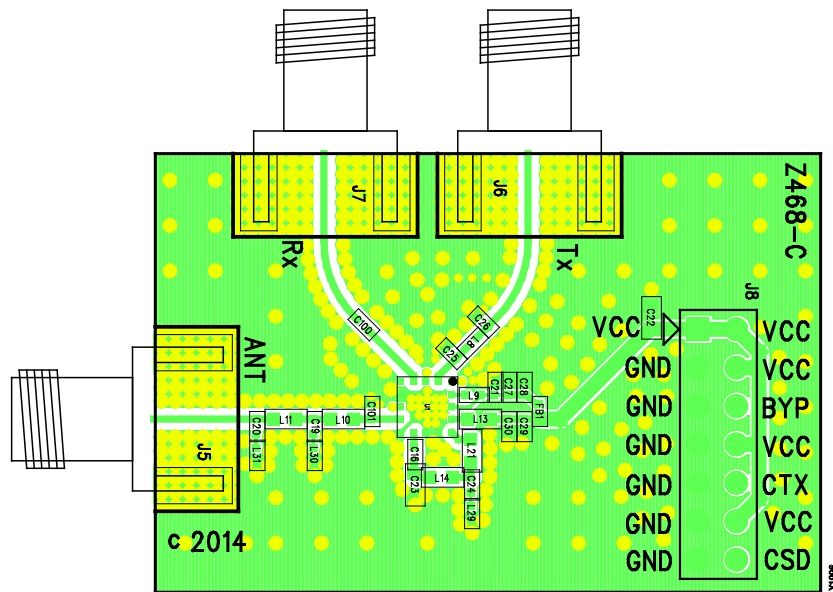


Notes:

Some component labels may be different from the corresponding component symbol shown here.
 Component values, however, are accurate as of the date of this data sheet.

Y2002

Figure 13. SKY66100-11 EK-2 Evaluation Board Schematic (+27 dBm)



**Figure 14. SKY66100-11 Evaluation Board Assembly Drawing
(Applies to both EK-1 and EK-2 Evaluation Boards)**

PCB Recommendations

Recommendations for 4-layer PCB:

- Metal Layer 1 = RF traces + control lines.
- Metal Layer 2 = Solid ground plane. No traces routing. Use vias to ground under the FEM as recommended in Figure 5.
- Metal Layer 3 and 4 = Control lines + VCC traces (no VCC plane).
- Pour copper on each layer connected to the ground plane. Use VCC traces in a star distribution pattern.

Recommendations for 2-layer PCB:

- Metal Layer 1 = RF traces + control lines + VCC.
- Metal Layer 2 = Solid ground plane between the transceiver and the FEM up to the antenna, no traces routing in that area. Use vias to ground under the FEM as recommended in Figure 5.

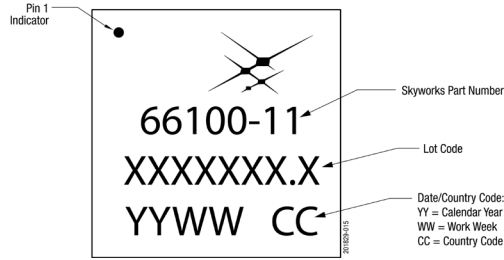
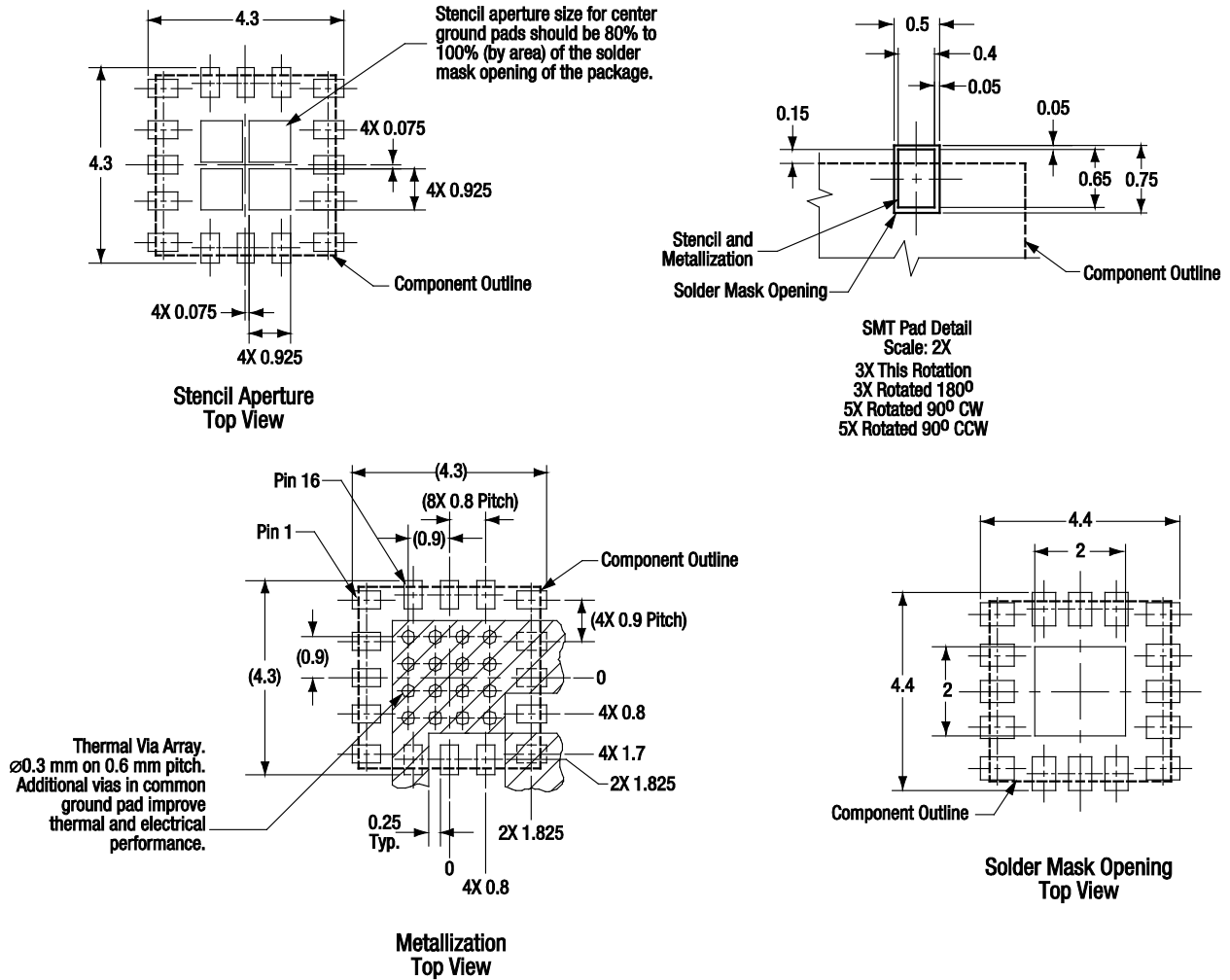


Figure 15. Typical Part Marking

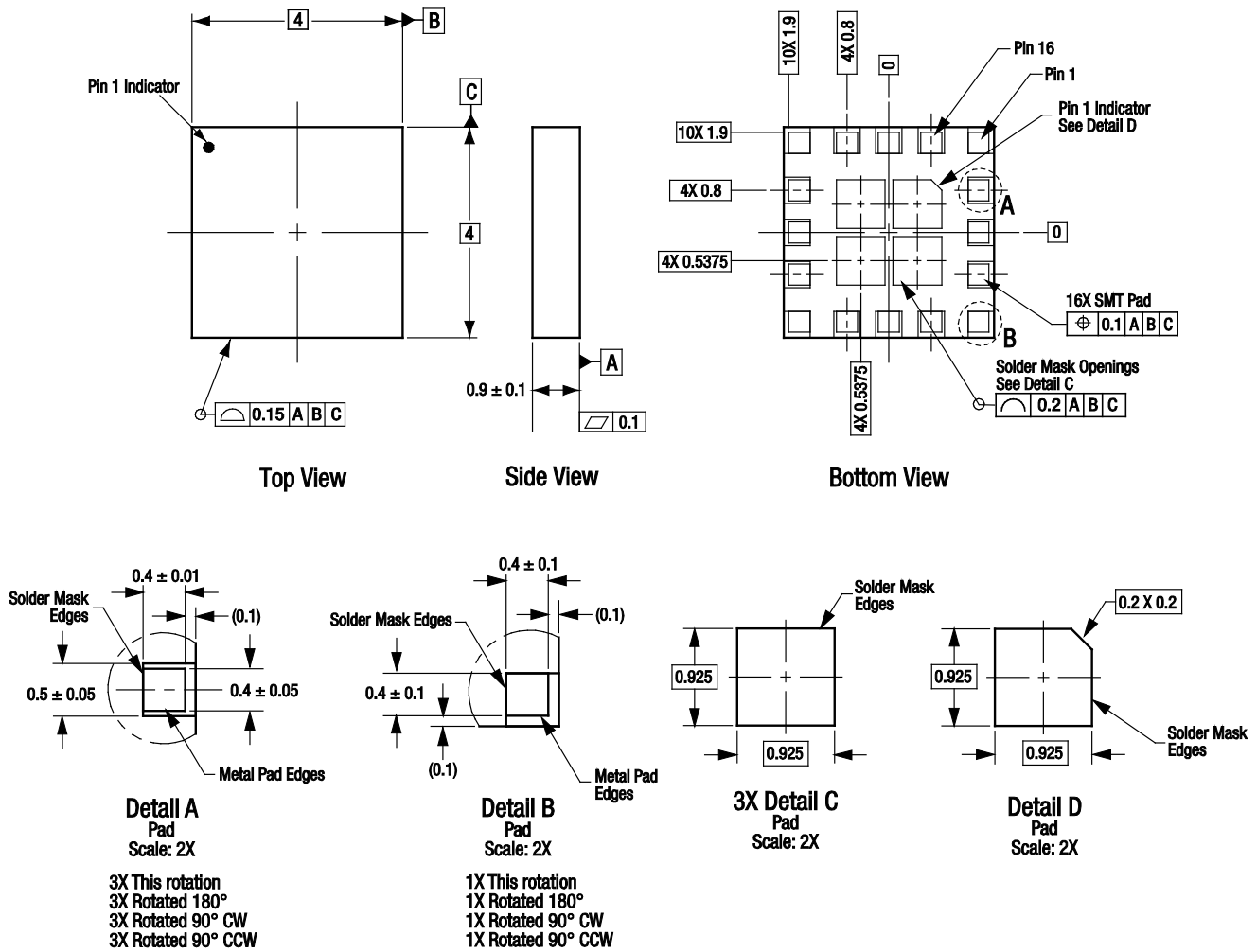


Notes:

1. The cross-hatched area represents the merger of the center ground pad +4 individual I/O ground pads. All I/O ground pads should have at least one via connected to internal ground planes for optimum electrical performance.
2. Thermal vias should be tented with solder mask, 30 to 35 mm Cu plating recommended.
3. All measurements are in millimeters

S2895

Figure 16. SKY66100-11 PCB Layout Footprint

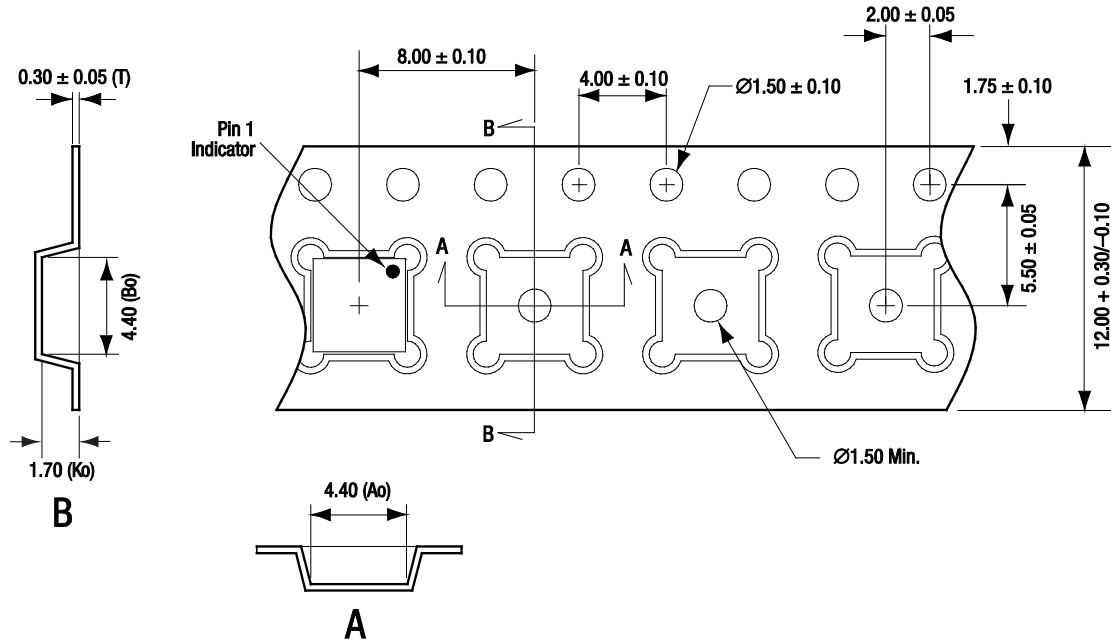


All measurements are in millimeters

Dimensioning and tolerancing according to ASME Y14.5M-1994

S2783

Figure 17. SKY66100-11 16-Pin MCM Package Dimensions



- Notes:**
1. Carrier tape material: black conductive polycarbonate or polystyrene.
 2. Cover tape material: transparent conductive PSA.
 3. Cover tape size: 9.3 mm width.
 4. Ten sprocket hole pitch cumulative tolerance: ± 0.20 mm.
 5. A_o and B_o measured on plane 0.30 mm above the bottom of the pocket.
 6. Typical ESD surface resistivity is $\leq 1 \times 10^{10}$ Ohms/square per EIA, JEDEC tape and reel specification.
 7. All measurements are in millimeters

S2031

Figure 18. SKY66100-11 Tape and Reel Dimensions

Ordering Information

| Part Number | Product Description | Evaluation Board Part Number |
|--|--|------------------------------------|
| SKY66100-11 TX/RX FEM (+24 dBm) SKY66100-11 TX/RX FEM (+27 dBm) | 169 to 170 MHz Transmit/Receive Front-End Module | SKY66100-11-EK1 SKY66100-11-EK2 |

Copyright © 2012-2015, 2019 Skyworks Solutions, Inc. All Rights Reserved.

Information in this document is provided in connection with Skyworks Solutions, Inc. (“Skyworks”) products or services. These materials, including the information contained herein, are provided by Skyworks as a service to its customers and may be used for informational purposes only by the customer. Skyworks assumes no responsibility for errors or omissions in these materials or the information contained herein. Skyworks may change its documentation, products, services, specifications or product descriptions at any time, without notice. Skyworks makes no commitment to update the materials or information and shall have no responsibility whatsoever for conflicts, incompatibilities, or other difficulties arising from any future changes.

No license, whether express, implied, by estoppel or otherwise, is granted to any intellectual property rights by this document. Skyworks assumes no liability for any materials, products or information provided hereunder, including the sale, distribution, reproduction or use of Skyworks products, information or materials, except as may be provided in Skyworks Terms and Conditions of Sale.

THE MATERIALS, PRODUCTS AND INFORMATION ARE PROVIDED “AS IS” WITHOUT WARRANTY OF ANY KIND, WHETHER EXPRESS, IMPLIED, STATUTORY, OR OTHERWISE, INCLUDING FITNESS FOR A PARTICULAR PURPOSE OR USE, MERCHANTABILITY, PERFORMANCE, QUALITY OR NON-INFRINGEMENT OF ANY INTELLECTUAL PROPERTY RIGHT; ALL SUCH WARRANTIES ARE HEREBY EXPRESSLY DISCLAIMED. SKYWORKS DOES NOT WARRANT THE ACCURACY OR COMPLETENESS OF THE INFORMATION, TEXT, GRAPHICS OR OTHER ITEMS CONTAINED WITHIN THESE MATERIALS. SKYWORKS SHALL NOT BE LIABLE FOR ANY DAMAGES, INCLUDING BUT NOT LIMITED TO ANY SPECIAL, INDIRECT, INCIDENTAL, STATUTORY, OR CONSEQUENTIAL DAMAGES, INCLUDING WITHOUT LIMITATION, LOST REVENUES OR LOST PROFITS THAT MAY RESULT FROM THE USE OF THE MATERIALS OR INFORMATION, WHETHER OR NOT THE RECIPIENT OF MATERIALS HAS BEEN ADVISED OF THE POSSIBILITY OF SUCH DAMAGE.

Skyworks products are not intended for use in medical, lifesaving or life-sustaining applications, or other equipment in which the failure of the Skyworks products could lead to personal injury, death, physical or environmental damage. Skyworks customers using or selling Skyworks products for use in such applications do so at their own risk and agree to fully indemnify Skyworks for any damages resulting from such improper use or sale.

Customers are responsible for their products and applications using Skyworks products, which may deviate from published specifications as a result of design defects, errors, or operation of products outside of published parameters or design specifications. Customers should include design and operating safeguards to minimize these and other risks. Skyworks assumes no liability for applications assistance, customer product design, or damage to any equipment resulting from the use of Skyworks products outside of stated published specifications or parameters.

Skyworks and the Skyworks symbol are trademarks or registered trademarks of Skyworks Solutions, Inc. or its subsidiaries in the United States and other countries. Third-party brands and names are for identification purposes only, and are the property of their respective owners. Additional information, including relevant terms and conditions, posted at www.skyworksinc.com, are incorporated by reference.

X-ON Electronics

Largest Supplier of Electrical and Electronic Components

Click to view similar products for [RF Front End](#) category:

Click to view products by [Skyworks](#) manufacturer:

Other Similar products are found below :

[SE2622L-R](#) [BGM1032N7E6327XUSA1](#) [LX5586LL](#) [SKY85703-11](#) [LX5586HLL](#) [LX5586ALL](#) [SKY66111-21](#) [SKY65728-11](#) [SKY68000-31](#)
[SKY85308-11](#) [SKY85302-11](#) [SKY65724-11](#) [ADTR1107ACCZ](#) [LMP91051MTX/NOPB](#) [SE5501L-R](#) [QPF4519SR](#) [SE5503A-R](#)
[ADA8282WBCPZ](#) [ADRF5545ABCPZN](#) [ADRF5545ABCPZN-R7](#) [AD8283WBCPZ](#) [AD8284WCSVZ](#) [ADRF5547BCPZN](#)
[ADRF5547BCPZN-R7](#) [ADRF5549BCPZN](#) [ADRF5549BCPZN-R7](#) [HV7350K6-G](#) [SE5516A-R](#) [MCP2030-I/SL](#) [MAX2009ETI+](#)
[MAX2078CTK+](#) [MAX2335ETI+](#) [MAX2678GTB/V+T](#) [MD2131K7-G](#) [MD2134K7-G](#) [RFFM6903TR13](#) [HV7351K6-G](#) [MCP2035-I/ST](#)
[SE2614BT-R](#) [SE2438T-R](#) [SST12LF02-QXCE](#) [SST12LF09-Q3CE](#) [RFX2401C](#) [RFX2402E](#) [SKY85201-11](#) [RFFM4591FTR7](#) [RFFM8211TR7](#)
[RFFM4293TR7](#) [RFFM4203TR7](#) [RFFM5765QTR7](#)