



SKYWORKS®

## PRODUCT SUMMARY

# SKYR23001-11: 5G NR TDD 4T4R RF Front End Reference Design for Small Cell Radios

## Applications

- 5G NR enterprise small cell
- 5G DAS
- 5G private networks

## Features

- Four integrated RF channels with transmit, receive and observation receive paths
- Single band TDD 4T4R or dual band TDD 2T2R
- 5G n48/CBRS frequency band default operation
- Re-tunable to other frequency bands with pin-to-pin compatible parts/BOM change
- Completely integrated power management with single 30 to 60 V power supply
- Automated bias-sequencing for rapid bring-up to test
- Integrated board protection circuitry with current and temperature monitors



Skyworks Green™ products are compliant with all applicable legislation and are halogen-free. For additional information, refer to *Skyworks Definition of Green™*, document number SQ04-0074.

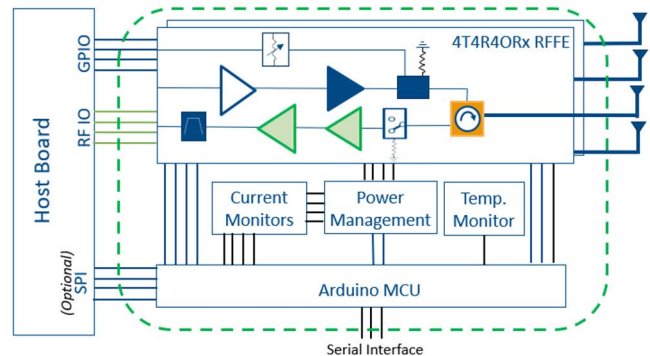


Figure 1. SKYR23001 4T4R RF Front End Reference Design

## Description

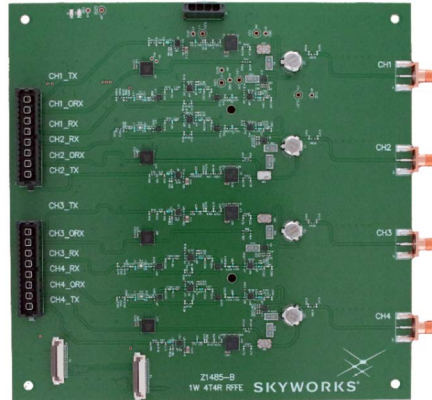
The SKYR23001 is a highly integrated 5G TDD RF front end reference design with four transmit, receive, and observation receiver paths.

The board is designed to operate with the Analog Devices ADRV904x radio system platform for full system evaluation of a 5G TDD Remote Radio Unit with transceiver and DPD. The SKYR23001 can also be used as a standalone RF input/output or with any other generic transceiver platform.

The design features the Skyworks suite of RF front-end components including the SKY6652x family of pin-to-pin compatible power amplifiers, circulators, wide-band LNA, RF switches and DSA enabling design variations across multiple cellular frequency bands.

This design achieves an instantaneous bandwidth of 200 MHz. This board is pre-tuned for RF input/output match and post-DPD linearity, reducing design time and enabling fast time to market.

Ordering Information



Product Description	Featured Power Amplifier	Part Number
4T4R 5G ORAN Reference Design for 3300 MHz to 3800 MHz	SKY66520-11	SKYR23001-11EK1
Combo 2T2R 5G 2300 MHz to 2700 MHz + 2T2R 3550 MHz to 4200 MHz ORAN Reference Design	SKY66522-11, SKY66523-11	SKYR23001-11EK2

Copyright © 2023, Skyworks Solutions, Inc. All Rights Reserved.

Information in this document is provided in connection with Skyworks Solutions, Inc. ("Skyworks") products or services. These materials, including the information contained herein, are provided by Skyworks as a service to its customers and may be used for informational purposes only by the customer. Skyworks assumes no responsibility for errors or omissions in these materials or the information contained herein. Skyworks may change its documentation, products, services, specifications or product descriptions at any time, without notice. Skyworks makes no commitment to update the materials or information and shall have no responsibility whatsoever for conflicts, incompatibilities, or other difficulties arising from any future changes.

No license, whether express, implied, by estoppel or otherwise, is granted to any intellectual property rights by this document. Skyworks assumes no liability for any materials, products or information provided hereunder, including the sale, distribution, reproduction or use of Skyworks products, information or materials, except as may be provided in Skyworks' Terms and Conditions of Sale.

THE MATERIALS, PRODUCTS AND INFORMATION ARE PROVIDED "AS IS" WITHOUT WARRANTY OF ANY KIND, WHETHER EXPRESS, IMPLIED, STATUTORY, OR OTHERWISE, INCLUDING FITNESS FOR A PARTICULAR PURPOSE OR USE, MERCHANTABILITY, PERFORMANCE, QUALITY OR NON-INFRINGEMENT OF ANY INTELLECTUAL PROPERTY RIGHT; ALL SUCH WARRANTIES ARE HEREBY EXPRESSLY DISCLAIMED. SKYWORKS DOES NOT WARRANT THE ACCURACY OR COMPLETENESS OF THE INFORMATION, TEXT, GRAPHICS OR OTHER ITEMS CONTAINED WITHIN THESE MATERIALS. SKYWORKS SHALL NOT BE LIABLE FOR ANY DAMAGES, INCLUDING BUT NOT LIMITED TO ANY SPECIAL, INDIRECT, INCIDENTAL, STATUTORY, OR CONSEQUENTIAL DAMAGES, INCLUDING WITHOUT LIMITATION, LOST REVENUES OR LOST PROFITS THAT MAY RESULT FROM THE USE OF THE MATERIALS OR INFORMATION, WHETHER OR NOT THE RECIPIENT OF MATERIALS HAS BEEN ADVISED OF THE POSSIBILITY OF SUCH DAMAGE.

Skyworks products are not intended for use in medical, lifesaving or life-sustaining applications, or other equipment in which the failure of the Skyworks products could lead to personal injury, death, physical or environmental damage. Skyworks customers using or selling Skyworks products for use in such applications do so at their own risk and agree to fully indemnify Skyworks for any damages resulting from such improper use or sale.

Customers are responsible for their products and applications using Skyworks products, which may deviate from published specifications as a result of design defects, errors, or operation of products outside of published parameters or design specifications. Customers should include design and operating safeguards to minimize these and other risks. Skyworks assumes no liability for applications assistance, customer product design, or damage to any equipment resulting from the use of Skyworks products outside of Skyworks' published specifications or parameters.

Skyworks, the Skyworks symbol, Sky5®, SkyOne®, SkyBlue™, Skyworks Green™, ClockBuilder®, DSPLL®, ISModem®, ProSLIC®, SiPHY®, and RFeIC® are trademarks or registered trademarks of Skyworks Solutions, Inc. or its subsidiaries in the United States and other countries. Third-party brands and names are for identification purposes only and are the property of their respective owners. Additional information, including relevant terms and conditions, posted at [www.skyworksinc.com](http://www.skyworksinc.com), are incorporated by reference.

## X-ON Electronics

Largest Supplier of Electrical and Electronic Components

*Click to view similar products for [RF Development Tools](#) category:*

*Click to view products by [Skyworks](#) manufacturer:*

Other Similar products are found below :

[102110577](#) [107020049](#) [109990001](#) [109990002](#) [113990939](#) [114993186](#) [1497](#) [1513743-1](#) [1958](#) [2521](#) [2522](#) [2523](#) [29122](#) [4257-00](#) [4270-00](#)  
[4455C-434-PDK](#) [4455C-868-PDK](#) [4455C-915-PDK](#) [4463CPCE20C460](#) [4463CPCE20C868SE](#) [4463CPCE20C915-K](#) [4463CPCE30E915R](#)  
[4463CPSQ20C169SE](#) [4463CPSQ20D169](#) [4463CPSQ27F169](#) [471-043](#) [5651](#) [5GEVBKIT](#) [5GMMWAVELPEVB-KIT](#) [A5M36TG140-3400](#)  
[AA116-72LF-EVB](#) [AC182015-1](#) [ACC-ZDB5101-U2](#) [ADD5043-433-2-GEVK](#) [ADD5043-868-2-GEVK](#) [ADM00658](#) [AF20TEA-Q4A](#)  
[AFE7920EVM](#) [AFSC5G23D37-EVB](#) [AFSC5G35D35-EVB](#) [AFSC5G35D37-EVB](#) [AFSC5G37D37-EVB](#) [AG35NAVATEA-512-SGAS](#)  
[AS169-73LF-EVB](#) [AS179-92LF-EVB](#) [AS193-73LF-EVB](#) [AS-RTK2B-MICRO-F9P-L1L2SMATH-00](#) [AS-RTK2B-MICRO-F9P-](#)  
[L1L2UFLTH-00](#) [AS-RTK2B-PROF9P-L1L2-NH-00](#) [ATREB215-XPRO](#)