

HIGH SPEED SWITCHING APPLICATION

■ Features

- Small Package
- Low Forward Voltage $V_F = 0.23V(TYP.) @ I_F = 5 mA$



1.Cathode
2.Anode

■ Simplified outline(SOD-523)

■ Marking

Marking	S4
---------	----

■ Absolute Maximum Ratings $T_a = 25^\circ C$

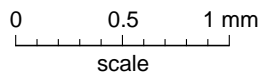
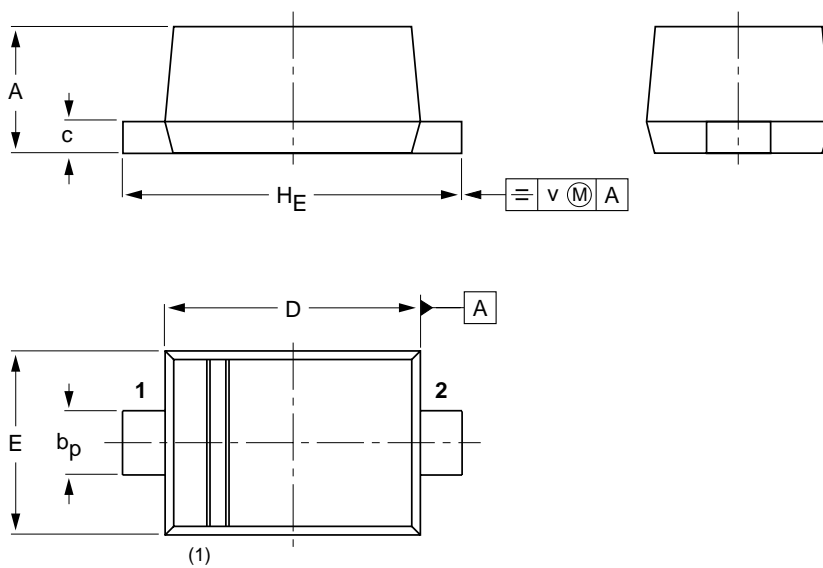
Characteristic	Symbol	Rating	Unit
Maximum (Peak) reverse voltage	V_{RM}	15	V
Reverse voltage	V_R	10	V
Maximum (Peak) forward current	I_{FM}	200	mA
Average forward current	I_o	100	mA
Surge current (10 ms)	I_{FSM}	1	A
Power dissipation	P^*	150	mW
Junction temperature	T_j	125	$^\circ C$
Storage temperature range	T_{stg}	-55 to + 125	$^\circ C$
Operating temperature range	T_{opr}	-44 to +100	$^\circ C$

* : Mounted on a glass epoxy circuit board of 20 \square 20mm, pad dimension of 4 \square 4mm.

■ Electrical Characteristics $T_a = 25^\circ C$

Characteristic	Symbol	Conditions	Min	Typ	Max	Unit
Continuous forward voltage	V_F	$I_F = 1 mA$		0.18		V
		$I_F = 10 mA$		0.23	0.3	
		$I_F = 100 mA$		0.35	0.5	
Reverse current	I_R	$V_R = 10 V$			20	μA
Total capacitance	C_T	$V_R = 0 V, f = 1 MHz$		20	40	pF

■ SOD-523



DIMENSIONS (mm are the original dimensions)

UNIT	A	b_p	c	D	E	H_E	v
mm	0.7 0.5	0.35 0.25	0.2 0.1	1.3 1.1	0.9 0.7	1.7 1.5	0.15

Note

1. The marking bar indicates the cathode.

X-ON Electronics

Largest Supplier of Electrical and Electronic Components

Click to view similar products for [Schottky Diodes & Rectifiers](#) category:

Click to view products by [SLKORMICRO](#) manufacturer:

Other Similar products are found below :

[MA4E2039](#) [MMBD301M3T5G](#) [RB160M-50TR](#) [D83C](#) [BAS16E6433HTMA1](#) [BAS 3010S-02LRH E6327](#) [BAT 54-02LRH E6327](#)
[NRVBAF360T3G](#) [NSR05F40QNXT5G](#) [NTE555](#) [JANS1N6640](#) [SS3003CH-TL-E](#) [GA01SHT18](#) [CRS10I30A\(TE85L,QM](#) [MBRA140TRPBF](#)
[MBRB30H30CT-1G](#) [BAT 15-04R E6152](#) [JANTX1N5712-1](#) [DMJ3940-000](#) [SB007-03C-TB-E](#) [NRVBB20100CTT4G](#) [NRVBM120LT1G](#)
[NTSB30U100CT-1G](#) [CRG04\(T5L,TEMQ\)](#) [ACDBA1100LR-HF](#) [ACDBA1200-HF](#) [ACDBA240-HF](#) [ACDBA3100-HF](#) [CDBQC0530L-HF](#)
[ACDBA260LR-HF](#) [ACDBA1100-HF](#) [10BQ015-M3/5BT](#) [NRVBM120ET1G](#) [VSSB410S-M3/5BT](#) [1N5819T-G](#) [PDS1040Q-13](#) [B160BQ-13-F](#)
[SDM05U20CSP-7](#) [BAS 70-07 E6433](#) [B140S1F-7](#) [HSM560Je3/TR13](#) [DDB2265-000](#) [ZHCS506QTA](#) [HSM190Je3/TR13](#) [B330AF-13](#)
[ACDBUC0230-HF](#) [SDM1U100S1F-7](#) [MBR10200CTF-G1](#) [CDLL5712](#) [DMF2822-000](#)