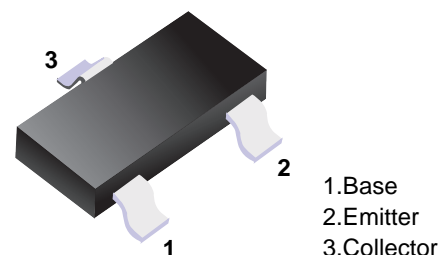


PNP Transistors



■ Features

- Collector Current Capability $I_C=150\text{mA}$
- Collector Emitter Voltage $V_{CE0}=-50\text{V}$
- Compliments the 2SC2412

■ Simplified outline(SOT-23)

■ Absolute Maximum Ratings $T_a = 25^\circ\text{C}$

| Parameter | Symbol | Rating | Unit |
|--------------------------------|-----------|------------|------------------|
| Collector - Base Voltage | V_{CBO} | -60 | V |
| Collector - Emitter Voltage | V_{CEO} | -50 | |
| Emitter - Base Voltage | V_{EBO} | -6 | |
| Collector Current - Continuous | I_C | 150 | mA |
| Collector Power Dissipation | P_C | 200 | mW |
| Junction Temperature | T_J | 150 | $^\circ\text{C}$ |
| Storage Temperature range | T_{stg} | -55 to 150 | |

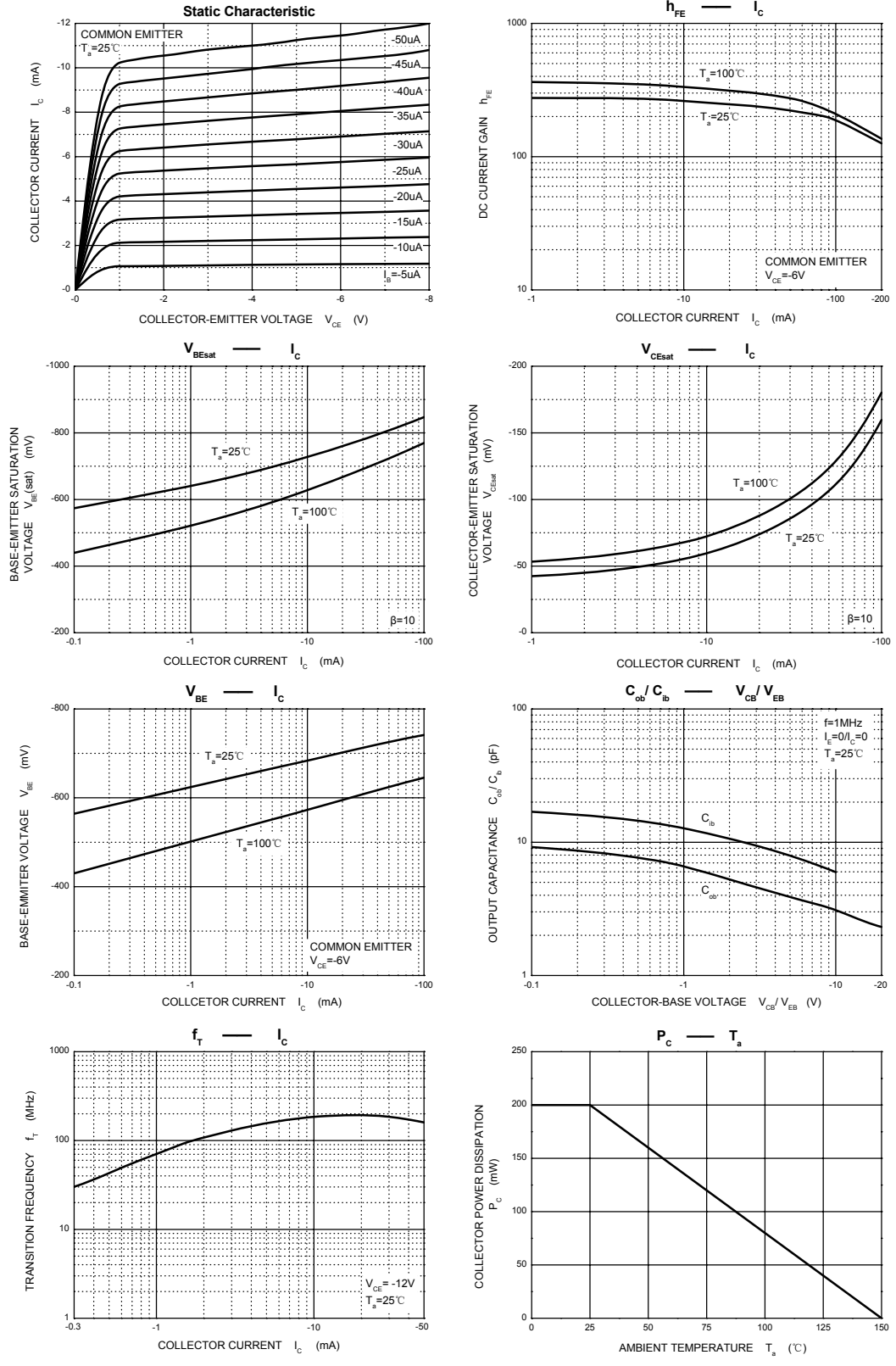
■ Electrical Characteristics $T_a = 25^\circ\text{C}$

| Parameter | Symbol | Test Conditions | Min | Typ | Max | Unit |
|--------------------------------------|---------------|---|-----|-----|------|---------------|
| Collector- base breakdown voltage | V_{CBO} | $I_C = -50 \mu\text{A}, I_E = 0$ | -60 | | | V |
| Collector- emitter breakdown voltage | V_{CEO} | $I_C = -1 \text{mA}, I_B = 0$ | -50 | | | |
| Emitter - base breakdown voltage | V_{EBO} | $I_E = -50 \mu\text{A}, I_C = 0$ | -6 | | | |
| Collector-base cut-off current | I_{CBO} | $V_{CB} = -60 \text{V}, I_E = 0$ | | | -0.1 | μA |
| Emitter cut-off current | I_{EBO} | $V_{EB} = -6\text{V}, I_C = 0$ | | | -0.1 | |
| Collector-emitter saturation voltage | $V_{CE(sat)}$ | $I_C = -50 \text{mA}, I_B = -5\text{mA}$ | | | -0.5 | V |
| Base-emitter saturation voltage | $V_{BE(sat)}$ | $I_C = -50 \text{mA}, I_B = -5\text{mA}$ | | | -1.2 | |
| DC current gain | h_{FE} | $V_{CE} = -6\text{V}, I_C = -1\text{mA}$ | 120 | | 560 | |
| Collector output capacitance | C_{ob} | $V_{CB} = -12\text{V}, I_E = 0, f = 1\text{MHz}$ | | 4 | 5 | pF |
| Transition frequency | f_T | $V_{CE} = -12\text{V}, I_C = -2\text{mA}, f = 30\text{MHz}$ | | 140 | | MHz |

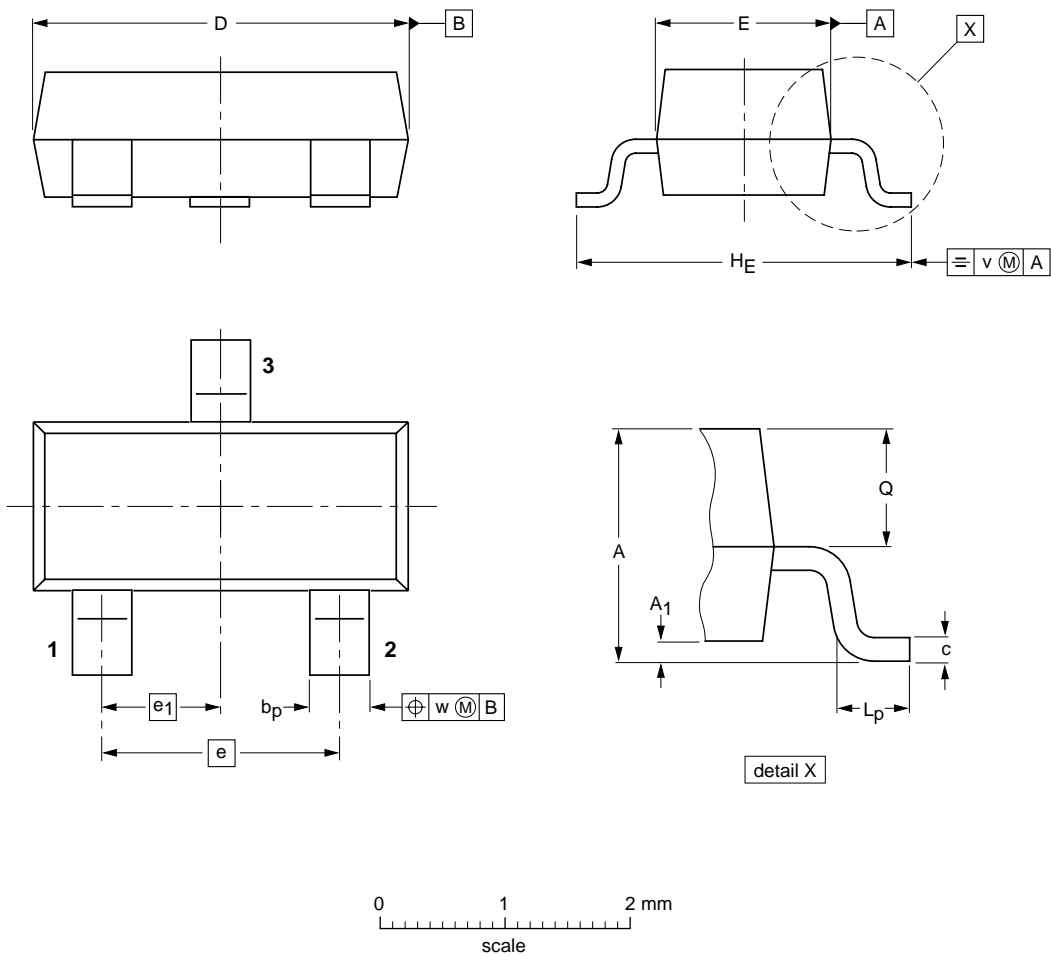
■ Classification of h_{fe}

| Type | 2SA1037-Q | 2SA1037-R | 2SA1037-S |
|---------|-----------|-----------|-----------|
| Range | 120-270 | 180-390 | 270-560 |
| Marking | FQ | FR | FS |

■ Typical Characteristics



■ SOT-23



DIMENSIONS (mm are the original dimensions)

| UNIT | A | A ₁ max. | b _p | c | D | E | e | e ₁ | H _E | L _p | Q | v | w |
|------|------------|------------------------|----------------|--------------|------------|------------|-----|----------------|----------------|----------------|--------------|-----|-----|
| mm | 1.1 0.9 | 0.1 | 0.48 0.38 | 0.15 0.09 | 3.0 2.8 | 1.4 1.2 | 1.9 | 0.95 | 2.5 2.1 | 0.45 0.15 | 0.55 0.45 | 0.2 | 0.1 |

X-ON Electronics

Largest Supplier of Electrical and Electronic Components

Click to view similar products for [Bipolar Transistors - BJT category](#):

Click to view products by [SLKORMICRO manufacturer](#):

Other Similar products are found below :

[BC559C](#) [MCH4017-TL-H](#) [MMBT-2369-TR](#) [BC546/116](#) [NJVMJD148T4G](#) [NTE16](#) [NTE195A](#) [IMX9T110](#) [2N4401-A](#) [2N6728](#) [2SA1419T-TD-H](#) [2SB1204S-TL-E](#) [2SC5488A-TL-H](#) [FMC5AT148](#) [2N2369ADCSM](#) [2N2907A](#) [2N3904-NS](#) [2N5769](#) [2SC4618TLN](#) [CPH6501-TL-E](#) [US6T6TR](#) [BAX18/A52R](#) [BC556/112](#) [IMZ2AT108](#) [MMST8098T146](#) [MCH6102-TL-E](#) [BC846B-13-F](#) [2N3879](#) [30A02MH-TL-E](#) [NTE13](#) [NTE282](#) [NTE323](#) [NTE350](#) [NTE81](#) [JANTX2N2920L](#) [JANSR2N2907AUB](#) [CMLT3946EG TR](#) [SNSS40600CF8T1G](#) [CMLT3906EG TR](#) [GRP-DATA-JANS2N2907AUB](#) [GRP-DATA-JANS2N2222AUA](#) [MMDT3946FL3-7](#) [2N4240](#) [JANS2N3019](#) [MSB30KH-13](#) [2N2221AUB](#) [2SD1815T-TL-E](#) [2N6678](#) [2N2907Ae4](#) [JAN2N3507](#)