

8 bit 串入并出移位寄存器

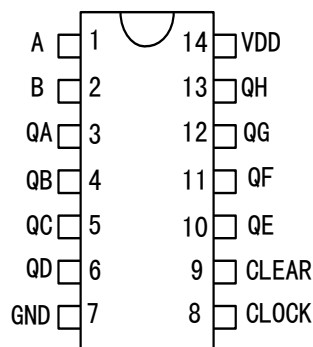
- AND-Gated (Enable/Disable) Serial Inputs
- Fully Buffered Clock and Serial Inputs
- Direct Clear
- Package Options Include Plastic Small-Outline (D) and Ceramic Flat (W) Packages, Ceramic Chip Carriers (FK), and Standard Plastic (N) and Ceramic (J) 300-mil DIPS

DESCRIPTION

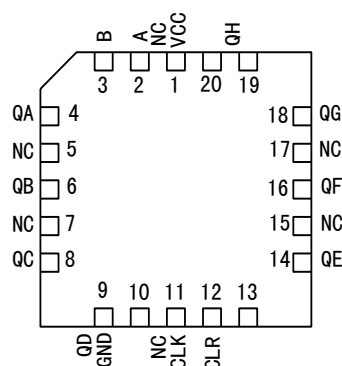
These 8-bit shift registers feature AND-gated serial inputs and an asynchronous clear (CLR) input. The gated serial (A and B) inputs permit complete control over incoming data; a low at either input inhibits entry of the new data and resets the first flip-flop to the low level at the next clock (CLK) pulse. A high-level input enables the other input, which then determines the state of the first flip-flop. Data at the serial inputs can be changed while CLK is high or low, provided the minimum setup time requirements are met. Clocking occurs on the low-to-high-level transition of CLK.

The 54HC164 is characterized for operation over the full military temperature range of -55°C to 125°C . The 74HC164 is characterized for operation from -40°C to 85°C .

54HC164...J OR W PACKAGE
74HC164...D OR N PACKAGE



54HC164...FK PACKAGE (TOP VIEW)



NC-NO internal connection

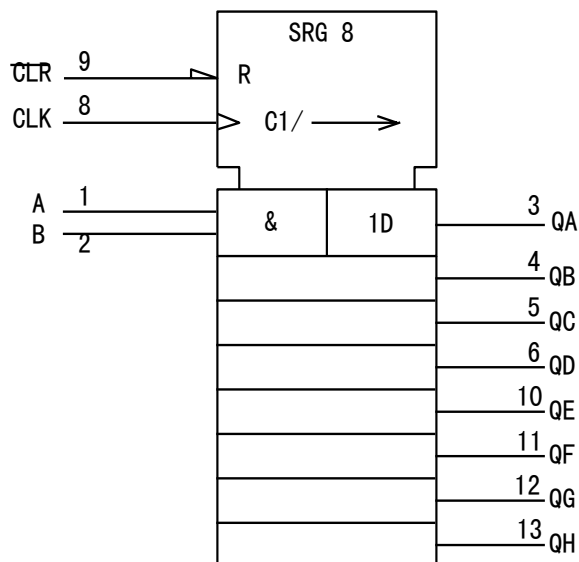
FUNCTION TABLE

INPUTS				OUTPUTS		
CLR	CLK	A	B	QA	QB...QH	
L	X	X	X	L	L	L
H	L	X	X	QA0	QB0	QH0
H	↑	H	H	H	QAn	QGn
H	↑	L	X	L	QAn	QGn
H	↑	X	L	L	QAn	QGn

QA0, QB0, QH0=the level of QA, QB, or QH, respectively, before the indicated steady-state input conditions were established

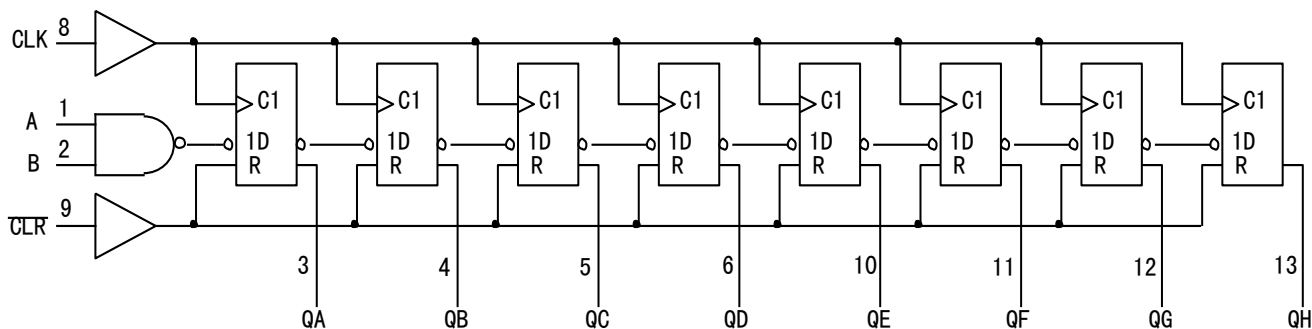
QAn, QGn=the level of QA or QG before the most recent ↑ transition of CLK: indicates a 1-bit shift

LOGIC SYMBOL



- This symbol is in accordance with ANS/IEEE Std 91-1984 and IEC publication 617-12.
- Pin numbers shown are for the D, J, N, and W packages.

LOGIC DIAGRAM (positive logic)



Pin numbers shown are for the D, J, N and W packages.

RECOMMENDED OPERATING CONDITIONS

		54HC164			74HC164			UNIT
		MIN	NOM	MAX	MIN	NOM	MAX	
V _{CC} Supply voltage		2	5	6	2	5	6	
V _{IH} High-level input voltage	V _{CC} =2V	1.5	-	-	1.5	-	-	
	V _{CC} =4.5V	3.15	-	-	3.15	-	-	
	V _{CC} =6V	4.2	-	-	4.2	-	-	
V _{IL} Low-level input voltage	V _{CC} =2V	0	-	0.5	0	-	0.5	
	V _{CC} =4.5V	0	-	1.35	0	-	1.35	
	V _{CC} =6V	0	-	1.8	0	-	1.8	
V _I Input voltage		0	-	V _{CC}		0	V _{CC}	V
V _O Output voltage		0	-	V _{CC}		0	V _{CC}	V
t _{IT} Input transition (rise and fall) time	V _{CC} =2V	0	-	1000	0	-	1000	ns
	V _{CC} =4.5V	0	-	500	0	-	500	
	V _{CC} =6V	0	-	400	0	-	400	
T _A Operating free-air temperature		-55	-	125	-40	-	85	°C

T If this device is used in the threshold region (from V_{IL} max=0.5V to V_{IH} min=1.5V), there is a potential to go into the wrong state from induced grounding, causing double clocking. Operating with the inputs at tt=1000ns and V_{CC}=2V does not damage the device; however, functionally, the CLK inputs are not ensured while in the shift, count, or toggle operating modes.

Electrical characteristics over recommended operating free-air temperature range (unless otherwise noted)

PARAMETER	TEST CONDITIONS	V _{CC}	T _A =25°C			54HC164		74HC164		UNIT	
			MIN	TYP	MAX	MIN	MAX	MIN	MAX		
V _{OH}	V _I =V _{IH} or V _{IL}	I _{OH} =-20uA	2V	1.9	1.998	-	1.9	-	1.9	-	V
			4.5V	4.4	4.499	-	4.4	-	4.4	-	
		6V	5.9	5.999	-	5.9	-	5.9	-		
		I _{OH} =-4mA	4.5V	3.98	4.3	-	3.7	-	3.84	-	
		I _{OH} =-5.2mA	6V	5.48	5.8	-	5.2	-	5.34	-	
V _{OL}	V _I =V _{IH} or V _{IL}	I _{OL} =20uA	2V	-	0.002	0.1	-	0.1	-	0.1	V
			4.5V	-	0.001	0.1	-	0.1	-	0.1	
			6V	-	0.001	0.1	-	0.1	-	0.1	
		I _{OL} =4mA	4.5V	-	0.17	0.26	-	0.4	-	0.33	
		I _{OL} =5.2mA	6V	-	0.15	0.26	-	0.4	-	0.33	
I _I	V _I =V _{CC} or 0	6V	-	±0.1	±100	-	±1000	-	±1000	nA	
I _{CC}	V _I =V _{CC} or 0, I _O =0	6V	-	-	8	-	160	-	80	uA	
C _I		2V to 6V	-	3	10	-	10	-	10	pF	

Timing requirements over recommended operating free-air temperature range (unless otherwise noted)

		VCC	T _A =25°C		54HC164		74HC164		UNIT
			MIN	MAX	MIN	MAX	MIN	MAX	
f _{clock} Clock frequency		2V	0	6	0	4.2	0	5	MHz
		4.5V	0	31	0	21	0	25	
		6V	0	36	0	25	0	28	
t _w Pulse duration	CLR low	2V	100	-	150	-	125	-	ns
		4.5V	20	-	30	-	25	-	
		6V	17	-	25	-	21	-	
	CLK high or low	2V	80	-	120	-	100	-	
		4.5V	16	-	24	-	20	-	
		6V	14	-	20	-	18	-	
t _{su} Setup time before CLK ↑	Data	2V	100	-	150	-	125	-	ns
		4.5V	20	-	30	-	25	-	
		6V	17	-	25	-	21	-	
	CLR inactive	2V	100	-	150	-	125	-	
		4.5V	20	-	30	-	25	-	
		6V	17	-	25	-	21	-	
t _h Hold time, data after CLK ↑		2V	5	-	5	-	5	-	ns
		4.5V	5	-	5	-	5	-	
		6V	5	-	5	-	5	-	

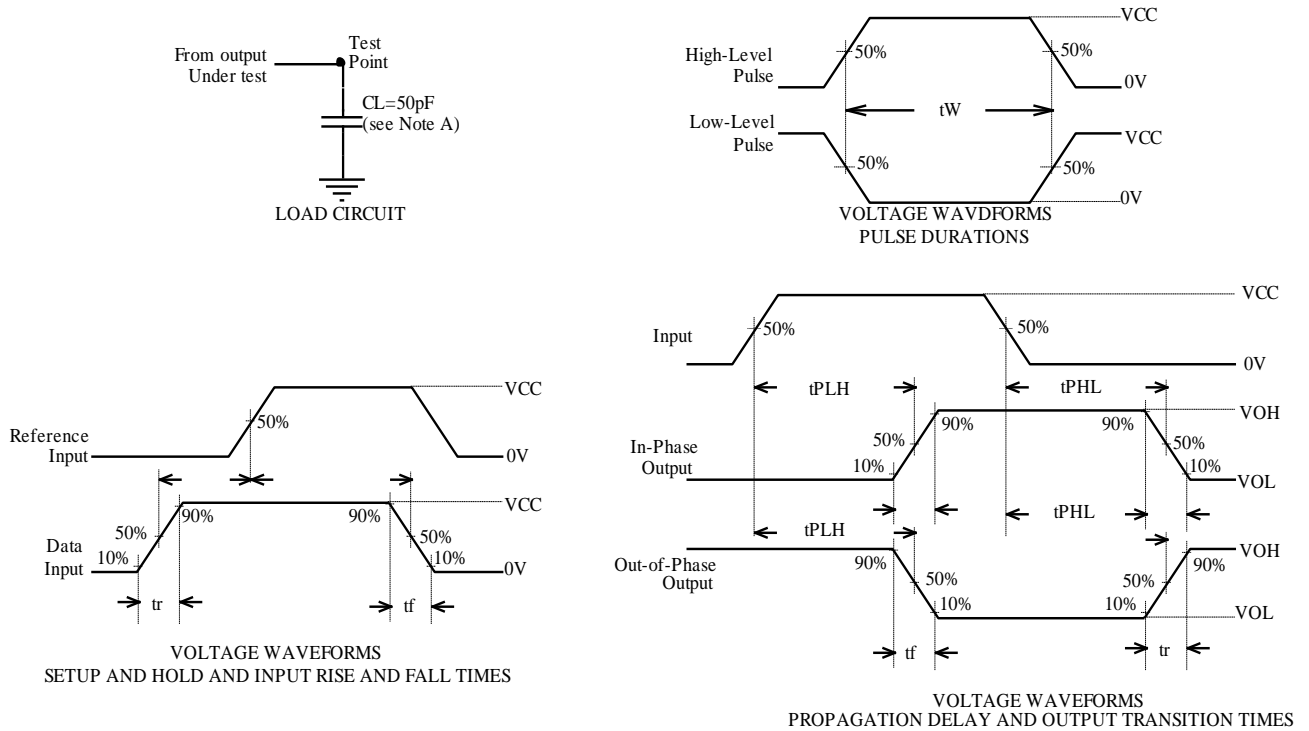
Switching characteristics over recommended operating free-air temperature rang, C_L=50pF (unless otherwise noted) (see Figure 1)

PARAMETER	FROM (INPUT)	TO (OUTPUT)	VCC	T _A =25°C			54HC164		74HC164		UNIT
				MIN	TYP	MAX	MIN	MAX	MIN	MAX	
f _{max}			2V	6	10	-	4.2	-	5	-	MHz
			4.5V	31	54	-	21	-	25	-	
			6V	36	62	-	25	-	28	-	
t _{PHL}	CLR	Any Q	2V	-	140	205	-	295	-	255	ns
			4.5V	-	28	41	-	59	-	51	
			6V	-	24	35	-	51	-	46	
t _{pd}	CLK	Any Q	2V	-	115	175	-	265	-	220	ns
			4.5V	-	23	35	-	53	-	44	
			6V	-	20	30	-	45	-	38	
t _t			2V	-	38	75	-	110	-	95	ns
			4.5V	-	8	15	-	22	-	19	
			6V	-	6	13	-	19	-	16	

Operating characteristics, $T_A=25^\circ\text{C}$

PARAMETER	TEST CONDITIONS	TYP	UNIT
Cpd Power dissipation capacitance	No load	135	pF

PARAMETER MEASUREMENT INFORMATION



NOTES: A. C_L includes probe and test-fixture capacitance.

B. Phase relationships between waveforms were chosen arbitrarily. All input pulses are supplied by generators having the following characteristics: $PRR \leq 1\text{MHz}$, $Z_0 = 50\ \Omega$, $t_r = 6\text{ns}$, $t_f = 6\text{ns}$.

C. For clock inputs, f_{max} is measured when the input duty cycle is 50%

D. The outputs are measured one at a time with one input transition per measurement.

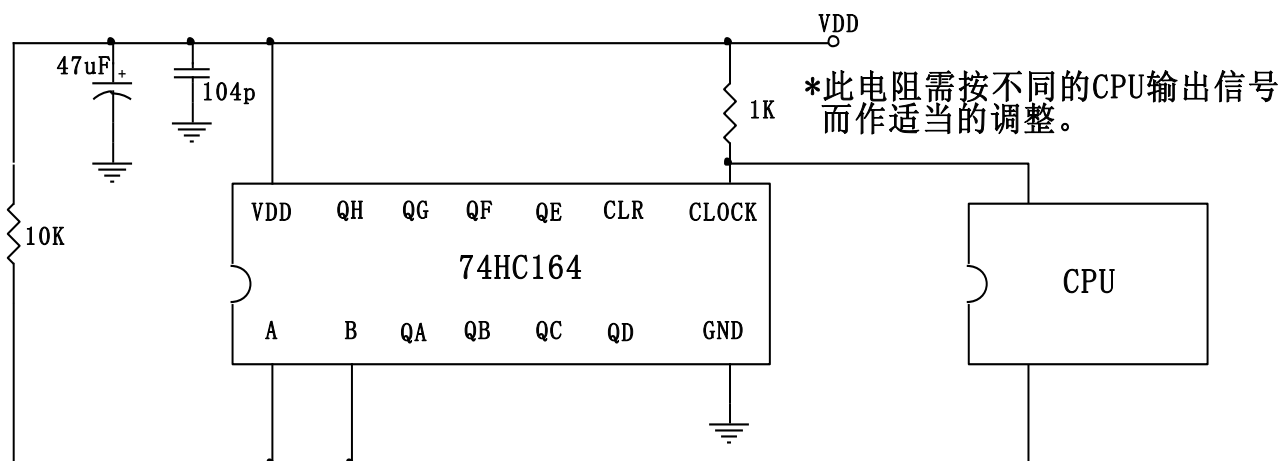
E. t_{PLH} and t_{PHL} are the same as t_{pd} .

Figure 1. Load Circuit and Voltage Waveforms

PAD ASSIGNMENT

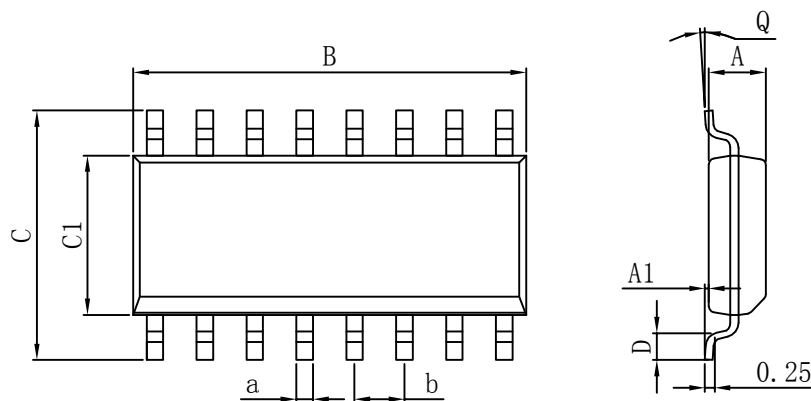
Pad No	Pad Name	X	Y
1	A	-242.00	-53.50
2	B	-250.00	252.00
3	QA	-135.00	-188.50
4	QB	0.00	-188.50
5	QC	115.00	-188.50
6	QD	252.00	-188.50
7	GND	252.00	-73.50
8	CLOCK	241.85	41.50
9	CLEAR	252.00	180.50
10	QE	137.00	190.50
11	QF	2.00	190.50
12	QG	-113.00	190.50
13	QH	-250.00	190.50
14	VDD	-250.00	61.50

附图:



封装外形

SOP14



Dimensions In Millimeters					
Symbol :	Min :	Max :	Symbol :	Min :	Max :
A	4.520	4.620	D	0.400	0.950
A1	0.100	0.250	Q	0°	8°
B	8.500	9.000	a	0.420TYP	
C	5.800	6.250	b	1.270 TYP	
C1	3.800	4.000			

X-ON Electronics

Largest Supplier of Electrical and Electronic Components

Click to view similar products for [Counter Shift Registers](#) category:

Click to view products by [SLKORMICRO](#) manufacturer:

Other Similar products are found below :

[CD4031BE](#) [CD4034BE](#) [NLV74HC165ADTR2G](#) [5962-9172201M2A](#) [MC100EP142MNG](#) [MC100EP016AMNG](#) [MC74LV594ADR2G](#)
[NLV14094BDTR2G](#) [NLV74HC589ADR2G](#) [AiP74HC595TA16.TR](#) [SN74LS295BN](#) [AIP74HC164TA14.TR](#) [TM74HC164](#) [74HC164D](#)
[AiP74HC165SA16.TR](#) [74HC573D](#) [AiP74HC165TA16.TR](#) [XL74HC597-TS](#) [74HC164MT/TR](#) [XL74HC595TS](#) [74HC595DMT/TR](#)
[CD4094DMT/TR](#) [74HC595D\(MS\)](#) [CD4094DM/TR](#) [74HC164D](#) [GN165D](#) [74HC595DM/TR](#) [AIP74HC595SA.TR](#) [XL4021B](#)
[74HC164D\(MS\)](#) [74HC595MT/TR](#) [XL74HC165-TS](#) [74HC595D](#) [74HC595D](#) [74HC595D.](#) [74HCT595BQ](#) [RS595SXTSS16](#)
[Aip74HC595SA16.TR](#) [SN74LS164DR-HXY](#) [74HC164DR](#) [RS595SXS16](#) [74HC165-HXY](#) [74HC595E](#) [RS164XQ](#) [GN74HC595D](#)
[74HC164DRG](#) [XD74HC165](#) [AiP74HC4094SA16.TR](#) [HX74HC595IDRG](#) [CD4094DN](#)