

# 包封金属化聚丙烯膜电容器 (MPP/CBB21) 规格书

## 特点

- 电容器容量范围从 0.01uF 到 3.3uF。
- 工作温度：-40℃~105℃
- 储存温度： 15℃~35℃
- 损耗少，内部温升小。
- 金属化聚丙烯膜组成，无感结构。
- 承受高脉冲，大电流，耐高频 100KHz。
- 容量变化小，负温度系数。
- 环氧树脂包封。

## 用途

- 广泛应用于高频、直流、交流和脉冲电路中。
- 广泛用于大电流场合。

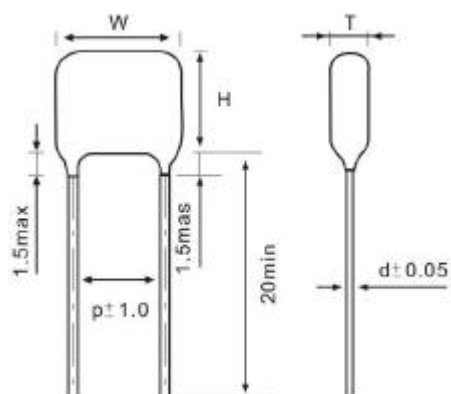
## 料号编码原则



## 技术要求

|       |  |
|-------|--|
| 气候类别  | 40/100/56  |
| 额定电压  | 100VDC、250VDC、<br>400VDC、630VDC 等                                    |
| 损耗角正切 | ≤0.1%(1KHz、1.0Vrms、20℃)  |
| 耐电压   | 1.6U <sub>R</sub> (5s)   |
| 绝缘电阻  | C≤0.33uF, IR≥50000MΩ<br>C>0.33uF, IR≥15000S<br>(AT 100VDC、60SEC、20℃) |

## 外形尺寸 (mm)



| 容量(uF) | 电压     | 尺寸(mm) |       |       |       |        |
|--------|--------|--------|-------|-------|-------|--------|
|        |        | W Max  | H Max | T Max | P±1.0 | d±0.05 |
| 0.01   | 100VDC | 10.0   | 9.0   | 5.0   | 7.5   | 0.6    |
|        | 250VDC | 10.0   | 9.0   | 5.0   | 7.5   | 0.6    |
|        | 400VDC | 13.0   | 9.0   | 5.5   | 10.0  | 0.6    |
|        | 630VDC | 13.0   | 9.0   | 5.5   | 10.0  | 0.6    |
| 0.015  | 100VDC | 10.0   | 9.0   | 5.5   | 7.5   | 0.6    |
|        | 250VDC | 10.0   | 9.0   | 5.5   | 7.5   | 0.6    |
|        | 400VDC | 13.0   | 9.0   | 5.5   | 10.0  | 0.6    |
|        | 630VDC | 13.0   | 11.0  | 6.0   | 10.0  | 0.6    |
| 0.018  | 100VDC | 10.0   | 9.5   | 5.5   | 7.5   | 0.6    |
|        | 250VDC | 10.0   | 9.5   | 5.5   | 7.5   | 0.6    |
|        | 400VDC | 13.0   | 9.0   | 5.5   | 10.0  | 0.6    |
|        | 630VDC | 13.0   | 9.0   | 5.5   | 10.0  | 0.6    |
| 0.022  | 100VDC | 10.0   | 8.5   | 5.5   | 7.5   | 0.6    |
|        | 250VDC | 10.0   | 8.5   | 5.5   | 7.5   | 0.6    |
|        | 400VDC | 13.0   | 9.0   | 5.5   | 10.0  | 0.6    |
|        | 630VDC | 13.0   | 9.0   | 5.5   | 10.0  | 0.6    |
| 0.027  | 100VDC | 10.0   | 9.5   | 5.5   | 7.5   | 0.6    |
|        | 250VDC | 10.0   | 9.5   | 5.5   | 7.5   | 0.6    |
|        | 400VDC | 13.0   | 9.0   | 5.5   | 10.0  | 0.6    |
|        | 630VDC | 13.0   | 9.0   | 5.5   | 10.0  | 0.6    |
| 0.033  | 100VDC | 10.0   | 9.5   | 6.0   | 7.5   | 0.6    |
|        | 250VDC | 10.0   | 9.5   | 6.0   | 7.5   | 0.6    |
|        | 400VDC | 13.0   | 10.0  | 6.0   | 10.0  | 0.6    |
|        | 630VDC | 13.0   | 10.0  | 6.0   | 10.0  | 0.6    |

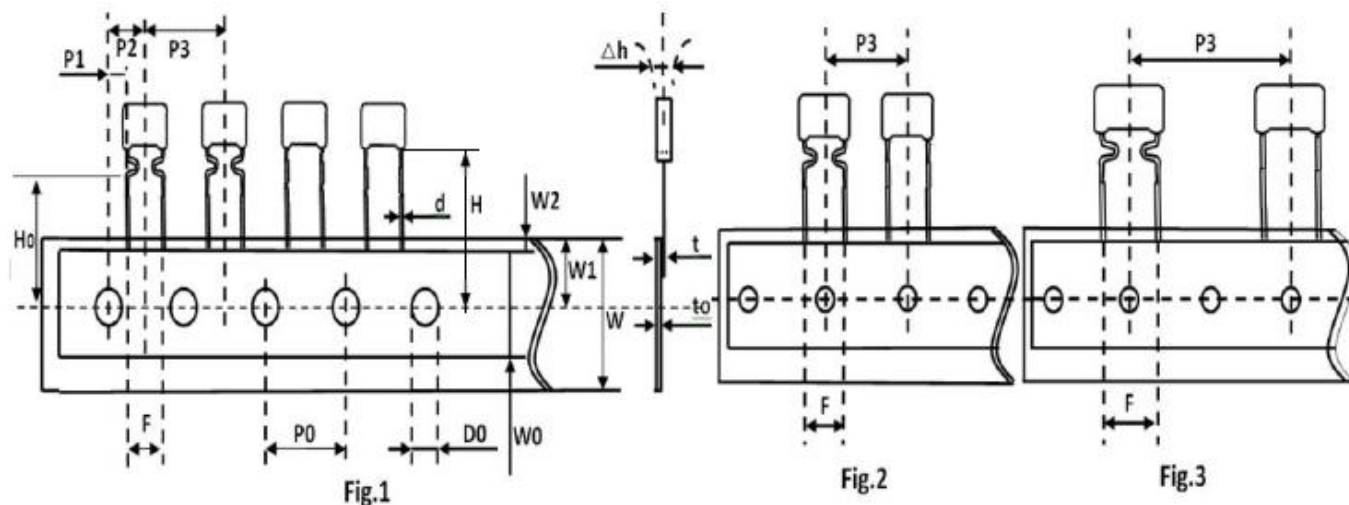
| 容量(μF) | 电压     | 尺寸(mm) |       |       |       |        |
|--------|--------|--------|-------|-------|-------|--------|
|        |        | W Max  | H Max | T Max | P±1.0 | d±0.05 |
| 0.047  | 100VDC | 10.0   | 9.5   | 5.5   | 7.5   | 0.6    |
|        | 250VDC | 10.0   | 9.5   | 5.5   | 7.5   | 0.6    |
|        | 400VDC | 13.0   | 9.0   | 5.5   | 10.0  | 0.6    |
|        | 630VDC | 13.0   | 10.5  | 6.5   | 10.0  | 0.6    |
| 0.056  | 100VDC | 10.0   | 9.0   | 5.5   | 7.5   | 0.6    |
|        | 250VDC | 10.0   | 9.0   | 5.5   | 7.5   | 0.6    |
|        | 400VDC | 13.0   | 8.5   | 5.5   | 10.0  | 0.6    |
|        | 630VDC | 13.0   | 11.5  | 7.5   | 10.0  | 0.6    |
| 0.068  | 100VDC | 10.0   | 9.5   | 6.0   | 7.5   | 0.6    |
|        | 250VDC | 10.0   | 9.5   | 6.0   | 7.5   | 0.6    |
|        | 400VDC | 13.0   | 9.5   | 6.0   | 10.0  | 0.6    |
|        | 630VDC | 18.0   | 11.0  | 6.0   | 15.0  | 0.8    |
| 0.1    | 100VDC | 10.0   | 10.0  | 6.5   | 7.5   | 0.6    |
|        | 250VDC | 10.0   | 10.0  | 6.5   | 7.5   | 0.6    |
|        | 400VDC | 13.0   | 10.5  | 6.0   | 10.0  | 0.6    |
|        | 630VDC | 18.0   | 10.5  | 7.0   | 15.0  | 0.8    |
| 0.15   | 100VDC | 13.0   | 10.5  | 6.5   | 10.0  | 0.6    |
|        | 250VDC | 13.0   | 10.5  | 6.5   | 10.0  | 0.6    |
|        | 400VDC | 13.0   | 11.5  | 7.0   | 10.0  | 0.6    |
|        | 630VDC | 18.0   | 13.0  | 7.5   | 15.0  | 0.8    |
| 0.22   | 100VDC | 13.0   | 11.0  | 7.0   | 10.0  | 0.6    |
|        | 250VDC | 13.0   | 11.0  | 7.0   | 10.0  | 0.6    |
|        | 400VDC | 18.0   | 13.0  | 7.5   | 15.0  | 0.8    |
|        | 630VDC | 18.0   | 14.5  | 8.5   | 15.0  | 0.8    |
| 0.33   | 100VDC | 13.0   | 12.5  | 8.5   | 10.0  | 0.6    |
|        | 250VDC | 13.0   | 12.5  | 8.5   | 10.0  | 0.6    |
|        | 400VDC | 18.0   | 14.5  | 7.0   | 15.0  | 0.8    |
|        | 630VDC | 18.0   | 17.5  | 10.0  | 15.0  | 0.8    |
| 0.47   | 100VDC | 18.0   | 12.5  | 7.0   | 15.0  | 0.8    |
|        | 250VDC | 18.0   | 12.5  | 7.0   | 15.0  | 0.8    |
|        | 400VDC | 18.0   | 15.5  | 8.5   | 15.0  | 0.8    |
|        | 630VDC | 23.0   | 18.5  | 11.0  | 20.0  | 0.8    |
| 0.68   | 100VDC | 18.0   | 14.5  | 8.0   | 15.0  | 0.8    |
|        | 250VDC | 18.0   | 14.5  | 8.0   | 15.0  | 0.8    |
|        | 400VDC | 18.0   | 17.0  | 10.0  | 15.0  | 0.8    |
|        | 630VDC | 25.0   | 19.5  | 10.5  | 22.5  | 0.8    |

| 容量(uF) | 电压     | 尺寸(mm) |       |       |       |        |
|--------|--------|--------|-------|-------|-------|--------|
|        |        | W Max  | H Max | T Max | P±1.0 | d±0.05 |
| 1.0    | 100VDC | 18.0   | 16.5  | 10.0  | 15.0  | 0.8    |
|        | 250VDC | 18.0   | 16.5  | 10.0  | 15.0  | 0.8    |
|        | 400VDC | 23.0   | 17.5  | 9.5   | 20.0  | 0.8    |
|        | 630VDC | 31.0   | 21.0  | 12.5  | 27.5  | 0.8    |
| 1.5    | 100VDC | 23.0   | 17.5  | 9.5   | 20.0  | 0.8    |
|        | 250VDC | 23.0   | 17.5  | 9.5   | 20.0  | 0.8    |
|        | 400VDC | 31.0   | 17.5  | 9.0   | 27.5  | 0.8    |
|        | 630VDC | 31.0   | 24.5  | 14.5  | 27.5  | 0.8    |
| 2.0    | 100VDC | 23.0   | 19.5  | 10.5  | 20.0  | 0.8    |
|        | 250VDC | 23.0   | 19.5  | 10.5  | 20.0  | 0.8    |
|        | 400VDC | 31.0   | 19.5  | 10.5  | 27.5  | 0.8    |
| 2.2    | 100VDC | 23.0   | 19.5  | 11.5  | 20.0  | 0.8    |
|        | 250VDC | 23.0   | 19.5  | 11.5  | 20.0  | 0.8    |
|        | 400VDC | 31.0   | 20.0  | 11.5  | 27.5  | 0.8    |
| 3.0    | 100VDC | 31.0   | 19.5  | 11.0  | 27.5  | 0.8    |
|        | 250VDC | 31.0   | 19.5  | 11.0  | 27.5  | 0.8    |
|        | 400VDC | 31.0   | 22.5  | 13.5  | 27.5  | 0.8    |
| 3.3    | 100VDC | 31.0   | 20.0  | 11.5  | 27.5  | 0.8    |
|        | 250VDC | 31.0   | 20.0  | 11.5  | 27.5  | 0.8    |
|        | 400VDC | 31.0   | 24.0  | 14.5  | 27.5  | 0.8    |

## 脚型、脚长说明

| 脚型   | 图示   | 脚长 L (mm)  |
|------|--|--|
| 长直脚型 |   | ① $[2.5 \leq L < 6.0] + / - 0.5$ ;<br>② $[6.0 \leq L \leq 10] + / - 1.0$ |
| 内弯脚型 |  | ① $[2.5 \leq L < 6.0] + / - 0.5$ ;<br>② $[6.0 \leq L \leq 10] + / - 1.0$ |

## 编带尺寸 (mm)



| 代码 | Fig.1 | Fig.2 | Fig.2 | Fig.3 | Fig.3     | 误差        |
|----|-------|-------|-------|-------|-----------|-----------|
|    | P=5.0 | P=7.5 | P=10  | P=15  | P=20/22.5 |           |
| P3 | 12.7  | 12.7  | 12.7  | 25.4  | 30.0      | ±1.0      |
| P2 | 6.35  | /     | /     | /     | /         | ±1.3      |
| P0 | 12.7  | 12.7  | 12.7  | 12.7  | 15.0      | ±0.3      |
| P1 | 3.85  | /     | /     | /     | /         | ±0.7      |
| F  | 5.0   | 7.5   | 10.0  | 15.0  | 20.0/22.5 | ±1.0      |
| H  | 20.0  | 20.0  | 20.0  | 20.0  | 20.0      | ±1.0      |
| H0 | 16.5  | 16.5  | 16.5  | 16.5  | 16.5      | ±0.5      |
| Δh | 0     | 0     | 0     | 0     | 0         | ±2.0      |
| W  | 18.0  | 18.0  | 18.0  | 18.0  | 18.0      | +1.0/-0.5 |
| W0 | 12.0  | 12.0  | 12.0  | 12.0  | 12.0      | ±1.0      |
| W1 | 9.0   | 9.0   | 9.0   | 9.0   | 9.0       | ±0.5      |
| W2 | 3.0   | 3.0   | 3.0   | 3.0   | 3.0       | Max       |
| D0 | 4.0   | 4.0   | 4.0   | 4.0   | 4.0       | ±0.3      |
| d  | 0.5   | 0.6   | 0.6   | 0.8   | 0.8       | ±0.05     |
| t  | 1.0   | 1.1   | 1.1   | 1.4   | 1.4       | ±0.2      |
| t0 | 0.38  | 0.38  | 0.38  | 0.47  | 0.47      | ±0.04     |

## X-ON Electronics

Largest Supplier of Electrical and Electronic Components

*Click to view similar products for [Film Capacitors](#) category:*

*Click to view products by [SLKORMICRO](#) manufacturer:*

Other Similar products are found below :

[703-6G](#) [82EC1100DQ50K](#) [MMWAF150KME](#) [PCY2130F30153](#) [QXJ2E474KTPT](#) [QXL2B333KTPT](#) [QXM2G104K](#) [DPM16S56K-1F](#)  
[EEC2G505HQA406](#) [B32234-.033@250V-K](#) [B32520C6332K000](#) [B32522C6104K000](#) [B32523Q3155J](#) [B32676E6755K](#) [B81133-C1104-M3](#)  
[MTC355L1](#) [217-0716-001](#) [PA225L30](#) [CB182K0184J--](#) [KP1830-247/061-G](#) [274ACF4400WA0J](#) [SCD105K122A3-22](#) [SCD205K122A3-24](#)  
[A521HP102M400C](#) [F601BL225K063CL60A](#) [PCX2339F65224](#) [PCX2339F65334](#) [2222 368 55105](#) [2222 370 21683](#) [QXL2E473KTPT](#)  
[445450-1](#) [B32524Q6155J](#) [46KI3100JBM1K](#) [MKP 1839-215-633](#) [MKP 1840-447-165](#) [MKP383510063JKP2T0](#) [WMC08P22](#)  
[46KN410000N1K](#) [46KR368050M1M](#) [ECQ-W4223KZ](#) [EEC2G805HQA415](#) [PA103L30](#) [82DC3100DQ50J](#) [82DC4100AA60K](#)  
[82EC2150DQ50K](#) [WMF1D68](#) [PHE841ED6150MR17T0](#) [VEA105K50](#) [82EC2220DQ50J](#) [F850AG102M300C](#)