

包封金属化聚丙烯膜电容器 (MPP/CBB21) 规格书

特点

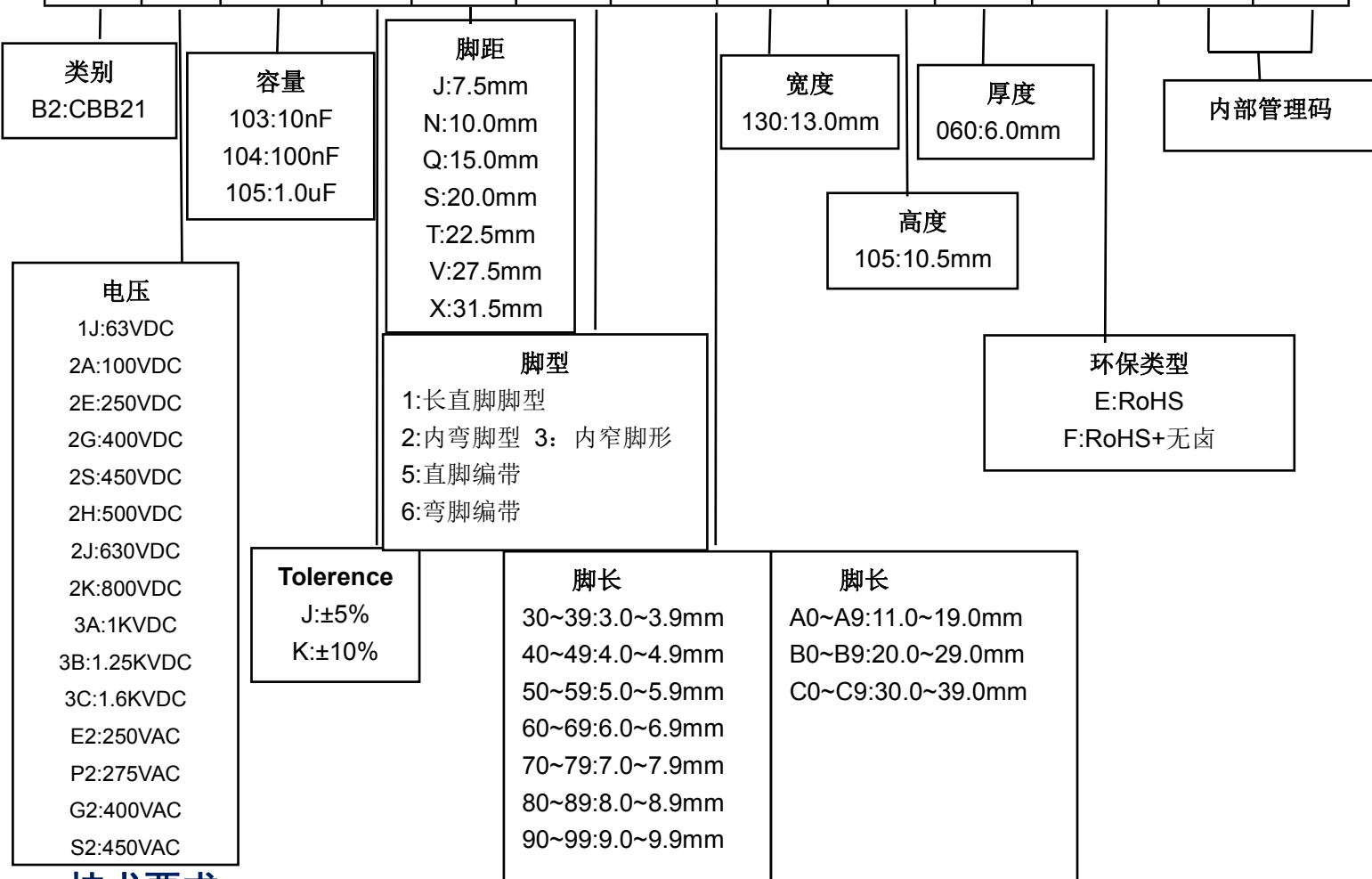
- 电容器容量范围从 0.01uF 到 3.3uF。
- 工作温度：-40℃~105℃
- 储存温度： 15℃~35℃
- 损耗少，内部温升小。
- 金属化聚丙烯膜组成，无感结构。
- 承受高脉冲，大电流，耐高频 100KHz。
- 容量变化小，负温度系数。
- 环氧树脂包封。

用途

- 广泛应用于高频、直流、交流和脉冲电路中。
- 广泛用于大电流场合。

料号编码原则

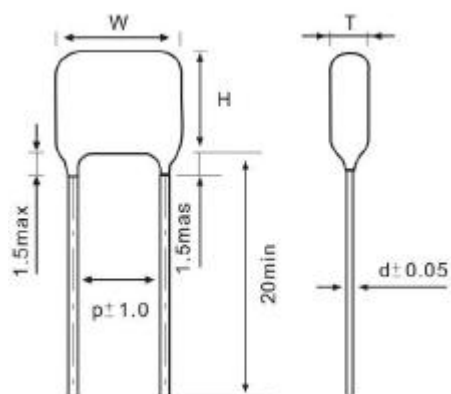
| | | | | | | | | | | | | |
|----|----|-----|---|---|---|----|-----|-----|-----|---|---|---|
| B2 | 2G | 104 | J | N | 1 | B0 | 130 | 105 | 060 | E | 0 | Z |
|----|----|-----|---|---|---|----|-----|-----|-----|---|---|---|



技术要求

| | |
|-------|--|
| 气候类别 | 40/100/56 |
| 额定电压 | 100VDC、250VDC、 400VDC、630VDC 等 |
| 损耗角正切 | ≤0.1%(1KHz、1.0Vrms、20℃) |
| 耐电压 | 1.6U _R (5s) |
| 绝缘电阻 | C≤0.33uF, IR≥50000MΩ C>0.33uF, IR≥15000S (AT 100VDC、60SEC、20℃) |

外形尺寸 (mm)

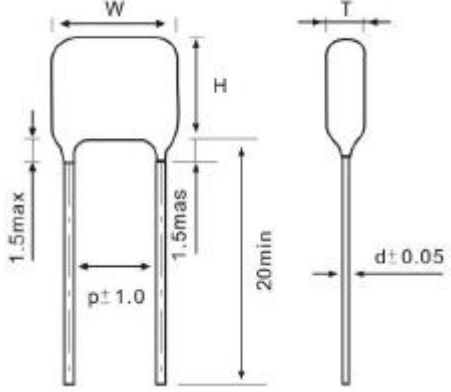
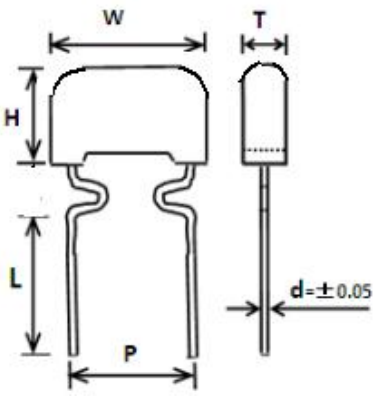


| 容量(uF) | 电压 | 尺寸(mm) | | | | |
|--------|--------|--------|-------|-------|-------|--------|
| | | W Max | H Max | T Max | P±1.0 | d±0.05 |
| 0.01 | 100VDC | 10.0 | 9.0 | 5.0 | 7.5 | 0.6 |
| | 250VDC | 10.0 | 9.0 | 5.0 | 7.5 | 0.6 |
| | 400VDC | 13.0 | 9.0 | 5.5 | 10.0 | 0.6 |
| | 630VDC | 13.0 | 9.0 | 5.5 | 10.0 | 0.6 |
| 0.015 | 100VDC | 10.0 | 9.0 | 5.5 | 7.5 | 0.6 |
| | 250VDC | 10.0 | 9.0 | 5.5 | 7.5 | 0.6 |
| | 400VDC | 13.0 | 9.0 | 5.5 | 10.0 | 0.6 |
| | 630VDC | 13.0 | 11.0 | 6.0 | 10.0 | 0.6 |
| 0.018 | 100VDC | 10.0 | 9.5 | 5.5 | 7.5 | 0.6 |
| | 250VDC | 10.0 | 9.5 | 5.5 | 7.5 | 0.6 |
| | 400VDC | 13.0 | 9.0 | 5.5 | 10.0 | 0.6 |
| | 630VDC | 13.0 | 9.0 | 5.5 | 10.0 | 0.6 |
| 0.022 | 100VDC | 10.0 | 8.5 | 5.5 | 7.5 | 0.6 |
| | 250VDC | 10.0 | 8.5 | 5.5 | 7.5 | 0.6 |
| | 400VDC | 13.0 | 9.0 | 5.5 | 10.0 | 0.6 |
| | 630VDC | 13.0 | 9.0 | 5.5 | 10.0 | 0.6 |
| 0.027 | 100VDC | 10.0 | 9.5 | 5.5 | 7.5 | 0.6 |
| | 250VDC | 10.0 | 9.5 | 5.5 | 7.5 | 0.6 |
| | 400VDC | 13.0 | 9.0 | 5.5 | 10.0 | 0.6 |
| | 630VDC | 13.0 | 9.0 | 5.5 | 10.0 | 0.6 |
| 0.033 | 100VDC | 10.0 | 9.5 | 6.0 | 7.5 | 0.6 |
| | 250VDC | 10.0 | 9.5 | 6.0 | 7.5 | 0.6 |
| | 400VDC | 13.0 | 10.0 | 6.0 | 10.0 | 0.6 |
| | 630VDC | 13.0 | 10.0 | 6.0 | 10.0 | 0.6 |

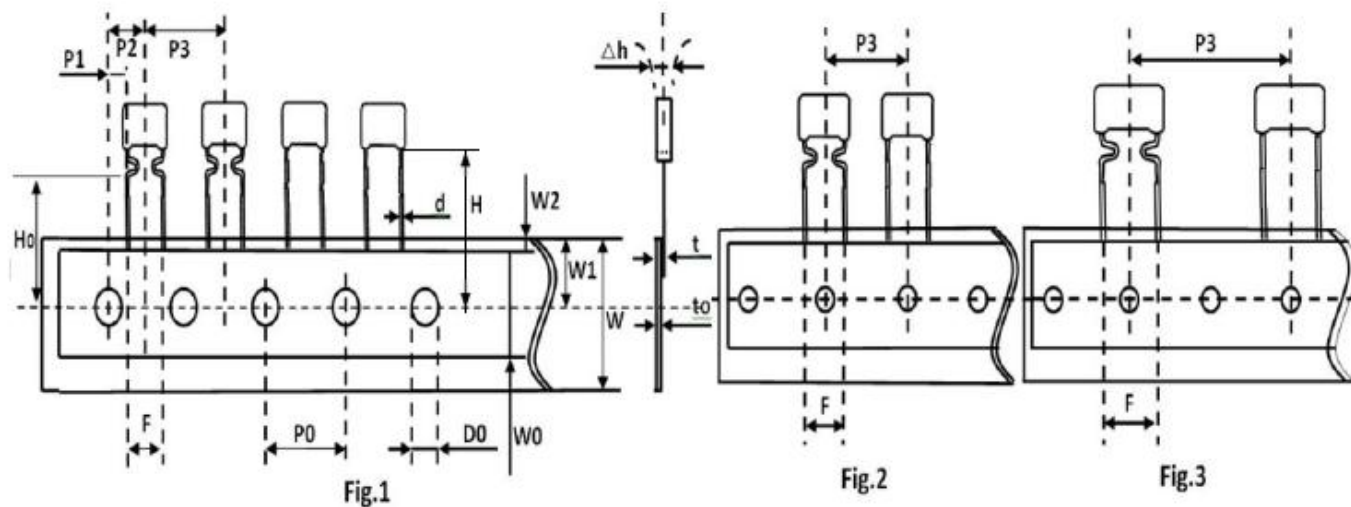
| 容量(uF) | 电压 | 尺寸(mm) | | | | |
|--------|--------|--------|-------|-------|-------|--------|
| | | W Max | H Max | T Max | P±1.0 | d±0.05 |
| 0.047 | 100VDC | 10.0 | 9.5 | 5.5 | 7.5 | 0.6 |
| | 250VDC | 10.0 | 9.5 | 5.5 | 7.5 | 0.6 |
| | 400VDC | 13.0 | 9.0 | 5.5 | 10.0 | 0.6 |
| | 630VDC | 13.0 | 10.5 | 6.5 | 10.0 | 0.6 |
| 0.056 | 100VDC | 10.0 | 9.0 | 5.5 | 7.5 | 0.6 |
| | 250VDC | 10.0 | 9.0 | 5.5 | 7.5 | 0.6 |
| | 400VDC | 13.0 | 8.5 | 5.5 | 10.0 | 0.6 |
| | 630VDC | 13.0 | 11.5 | 7.5 | 10.0 | 0.6 |
| 0.068 | 100VDC | 10.0 | 9.5 | 6.0 | 7.5 | 0.6 |
| | 250VDC | 10.0 | 9.5 | 6.0 | 7.5 | 0.6 |
| | 400VDC | 13.0 | 9.5 | 6.0 | 10.0 | 0.6 |
| | 630VDC | 18.0 | 11.0 | 6.0 | 15.0 | 0.8 |
| 0.1 | 100VDC | 10.0 | 10.0 | 6.5 | 7.5 | 0.6 |
| | 250VDC | 10.0 | 10.0 | 6.5 | 7.5 | 0.6 |
| | 400VDC | 13.0 | 10.5 | 6.0 | 10.0 | 0.6 |
| | 630VDC | 18.0 | 10.5 | 7.0 | 15.0 | 0.8 |
| 0.15 | 100VDC | 13.0 | 10.5 | 6.5 | 10.0 | 0.6 |
| | 250VDC | 13.0 | 10.5 | 6.5 | 10.0 | 0.6 |
| | 400VDC | 13.0 | 11.5 | 7.0 | 10.0 | 0.6 |
| | 630VDC | 18.0 | 13.0 | 7.5 | 15.0 | 0.8 |
| 0.22 | 100VDC | 13.0 | 11.0 | 7.0 | 10.0 | 0.6 |
| | 250VDC | 13.0 | 11.0 | 7.0 | 10.0 | 0.6 |
| | 400VDC | 18.0 | 13.0 | 7.5 | 15.0 | 0.8 |
| | 630VDC | 18.0 | 14.5 | 8.5 | 15.0 | 0.8 |
| 0.33 | 100VDC | 13.0 | 12.5 | 8.5 | 10.0 | 0.6 |
| | 250VDC | 13.0 | 12.5 | 8.5 | 10.0 | 0.6 |
| | 400VDC | 18.0 | 14.5 | 7.0 | 15.0 | 0.8 |
| | 630VDC | 18.0 | 17.5 | 10.0 | 15.0 | 0.8 |
| 0.47 | 100VDC | 18.0 | 12.5 | 7.0 | 15.0 | 0.8 |
| | 250VDC | 18.0 | 12.5 | 7.0 | 15.0 | 0.8 |
| | 400VDC | 18.0 | 15.5 | 8.5 | 15.0 | 0.8 |
| | 630VDC | 23.0 | 18.5 | 11.0 | 20.0 | 0.8 |
| 0.68 | 100VDC | 18.0 | 14.5 | 8.0 | 15.0 | 0.8 |
| | 250VDC | 18.0 | 14.5 | 8.0 | 15.0 | 0.8 |
| | 400VDC | 18.0 | 17.0 | 10.0 | 15.0 | 0.8 |
| | 630VDC | 25.0 | 19.5 | 10.5 | 22.5 | 0.8 |

| 容量(uF) | 电压 | 尺寸(mm) | | | | |
|--------|--------|--------|-------|-------|-------|--------|
| | | W Max | H Max | T Max | P±1.0 | d±0.05 |
| 1.0 | 100VDC | 18.0 | 16.5 | 10.0 | 15.0 | 0.8 |
| | 250VDC | 18.0 | 16.5 | 10.0 | 15.0 | 0.8 |
| | 400VDC | 23.0 | 17.5 | 9.5 | 20.0 | 0.8 |
| | 630VDC | 31.0 | 21.0 | 12.5 | 27.5 | 0.8 |
| 1.5 | 100VDC | 23.0 | 17.5 | 9.5 | 20.0 | 0.8 |
| | 250VDC | 23.0 | 17.5 | 9.5 | 20.0 | 0.8 |
| | 400VDC | 31.0 | 17.5 | 9.0 | 27.5 | 0.8 |
| | 630VDC | 31.0 | 24.5 | 14.5 | 27.5 | 0.8 |
| 2.0 | 100VDC | 23.0 | 19.5 | 10.5 | 20.0 | 0.8 |
| | 250VDC | 23.0 | 19.5 | 10.5 | 20.0 | 0.8 |
| | 400VDC | 31.0 | 19.5 | 10.5 | 27.5 | 0.8 |
| 2.2 | 100VDC | 23.0 | 19.5 | 11.5 | 20.0 | 0.8 |
| | 250VDC | 23.0 | 19.5 | 11.5 | 20.0 | 0.8 |
| | 400VDC | 31.0 | 20.0 | 11.5 | 27.5 | 0.8 |
| 3.0 | 100VDC | 31.0 | 19.5 | 11.0 | 27.5 | 0.8 |
| | 250VDC | 31.0 | 19.5 | 11.0 | 27.5 | 0.8 |
| | 400VDC | 31.0 | 22.5 | 13.5 | 27.5 | 0.8 |
| 3.3 | 100VDC | 31.0 | 20.0 | 11.5 | 27.5 | 0.8 |
| | 250VDC | 31.0 | 20.0 | 11.5 | 27.5 | 0.8 |
| | 400VDC | 31.0 | 24.0 | 14.5 | 27.5 | 0.8 |

脚型、脚长说明

| 脚型 | 图示 | 脚长 L (mm) |
|------|--|--|
| 长直脚型 |  | ① $[2.5 \leq L < 6.0] + / - 0.5$; ② $[6.0 \leq L \leq 10] + / - 1.0$ |
| 内弯脚型 |  | ① $[2.5 \leq L < 6.0] + / - 0.5$; ② $[6.0 \leq L \leq 10] + / - 1.0$ |

编带尺寸 (mm)



| 代码 | Fig.1 | Fig.2 | Fig.2 | Fig.3 | Fig.3 | 误差 |
|----|-------|-------|-------|-------|-----------|-----------|
| | P=5.0 | P=7.5 | P=10 | P=15 | P=20/22.5 | |
| P3 | 12.7 | 12.7 | 12.7 | 25.4 | 30.0 | ±1.0 |
| P2 | 6.35 | / | / | / | / | ±1.3 |
| P0 | 12.7 | 12.7 | 12.7 | 12.7 | 15.0 | ±0.3 |
| P1 | 3.85 | / | / | / | / | ±0.7 |
| F | 5.0 | 7.5 | 10.0 | 15.0 | 20.0/22.5 | ±1.0 |
| H | 20.0 | 20.0 | 20.0 | 20.0 | 20.0 | ±1.0 |
| H0 | 16.5 | 16.5 | 16.5 | 16.5 | 16.5 | ±0.5 |
| Δh | 0 | 0 | 0 | 0 | 0 | ±2.0 |
| W | 18.0 | 18.0 | 18.0 | 18.0 | 18.0 | +1.0/-0.5 |
| W0 | 12.0 | 12.0 | 12.0 | 12.0 | 12.0 | ±1.0 |
| W1 | 9.0 | 9.0 | 9.0 | 9.0 | 9.0 | ±0.5 |
| W2 | 3.0 | 3.0 | 3.0 | 3.0 | 3.0 | Max |
| D0 | 4.0 | 4.0 | 4.0 | 4.0 | 4.0 | ±0.3 |
| d | 0.5 | 0.6 | 0.6 | 0.8 | 0.8 | ±0.05 |
| t | 1.0 | 1.1 | 1.1 | 1.4 | 1.4 | ±0.2 |
| t0 | 0.38 | 0.38 | 0.38 | 0.47 | 0.47 | ±0.04 |

X-ON Electronics

Largest Supplier of Electrical and Electronic Components

Click to view similar products for [Film Capacitors](#) category:

Click to view products by [SLKORMICRO](#) manufacturer:

Other Similar products are found below :

[703-6G](#) [82DC4100CK60J](#) [82EC1100DQ50K](#) [MMWAF150KME](#) [PCY2130F30153](#) [QXJ2E474KTPT](#) [QXL2B333KTPT](#) [QXM2G104K](#)
[DPM16S56K-1F](#) [EEC2G505HQA406](#) [B32234-.033@250V-K](#) [B81133-C1104-M3](#) [MTC355L1](#) [217-0716-001](#) [PA225L30](#) [CB182K0184J--](#)
[KP1830-247/061-G](#) [274ACF4400WA0J](#) [274ACF5150WA0J](#) [SCD105K122A3-22](#) [SCD205K122A3-24](#) [PCX2339F65224](#) [PCX2339F65334](#)
[2222 368 55105](#) [2222 370 21683](#) [QXL2E473KTPT](#) [445450-1](#) [MKT182022263473](#) [WMC08P22](#) [46KN410000N1K](#) [46KR368050M1M](#) [ECQ-](#)
[W4223KZ](#) [EEC2G805HQA415](#) [PA103L30](#) [82DC4100AA60K](#) [82EC2150DQ50K](#) [VEA105K50](#) [82IC2150DQ50J](#) [82EC2220DQ50J](#)
[MTC55L4](#) [MTC56L4](#) [730P205X9400](#) [PA104L30](#) [PA224L30](#) [82DC3220AA60J](#) [82EC4100DQ70J](#) [WYP-104M](#) [82CC4220AA70J](#)
[82EC3100Z370J](#) [B32656S8105K566](#)