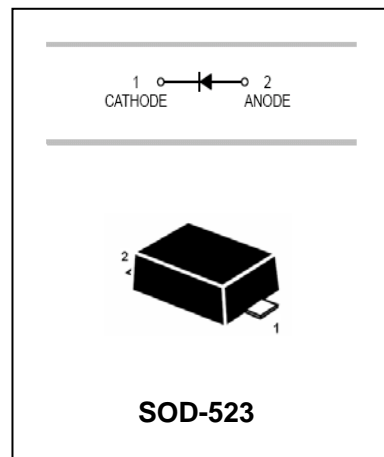


## FEATURES

- Small package.
- High speed switching.



## APPLICATIONS

- High speed switching application.

## ORDERING INFORMATION

Type No.	Marking	Package Code
BAS16X	A6	SOD-523

## MAXIMUM RATING @ Ta=25°C unless otherwise specified

Parameter	Symbol	Limits	Unit
Peak repetitive reverse voltage	$V_{RRM}$	85	V
Working peak reverse voltage	$V_{RWM}$		
DC Reverse voltage	$V_R$		
RMS Reverse voltage	$V_{R(RMS)}$	60	V
Continuous forward current	$I_F$	155	mA
Repetitive peak forward current	$I_{FRM}$	500	mA
Non-Repetitive peak forward surge current @t=1.0µs @t=1.0ms @t=1.0s	$I_{FSM}$	4.0 1.0 0.5	A
Total power dissipation	$P_{tot}$	150	mW
Total resistance junction to ambient	$R_{\theta JA}$	833	°C/W
Junction temperature	$T_j$	150	°C
Storage temperature	$T_{stg}$	-65 to +150	°C

## ELECTRICAL CHARACTERISTICS @ Ta=25°C unless otherwise specified

Parameter	Symbol	Min.	Typ.	Max.	Unit	Conditions
Reverse breakdown voltage	$V_{(BR)R}$	85			V	$I_R=100\mu A$
Forward voltage	$V_F$			0.715 0.815 1 1.25	V	$I_F=1mA$ $I_F=10mA$ $I_F=50mA$ $I_F=150mA$
Reverse current	$I_R$			2.0 30	$\mu A$ nA	$V_R=75V$ $V_R=25V$
Diode capacitance	$C_d$			1.5	pF	$V_R=0V, f=1MHz$
Reverse recovery time	$t_{rr}$			4	ns	$I_F=I_R=10mA, R_L=100\Omega$

## TYPICAL CHARACTERISTICS @ Ta=25°C unless otherwise specified

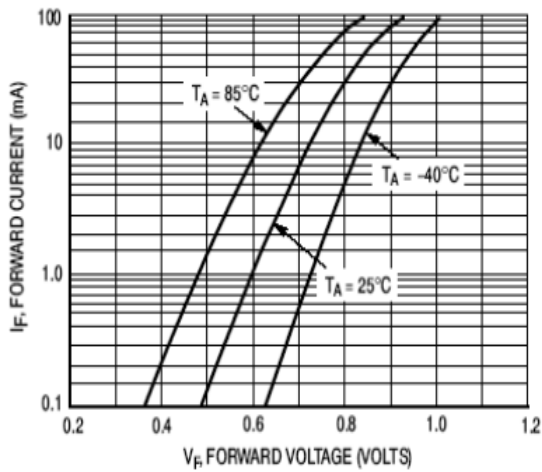


Figure 2. Forward Voltage

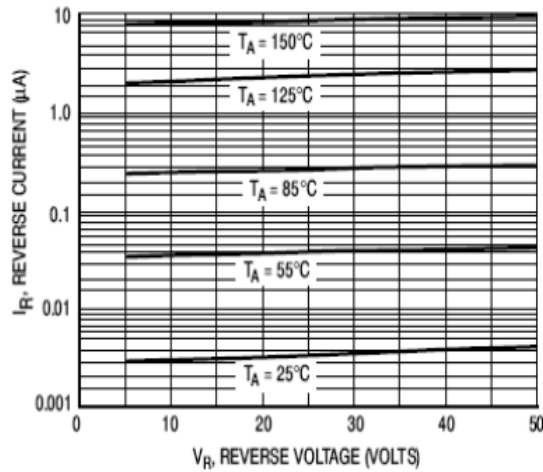


Figure 3. Leakage Current

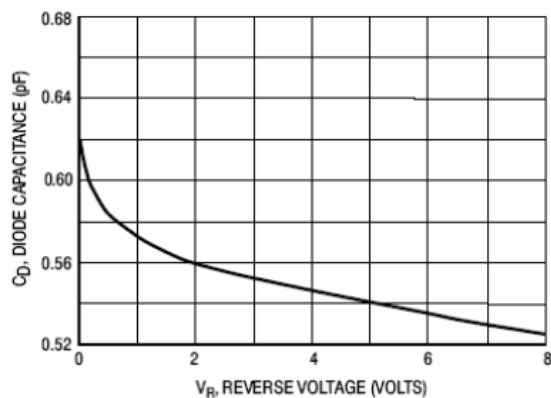
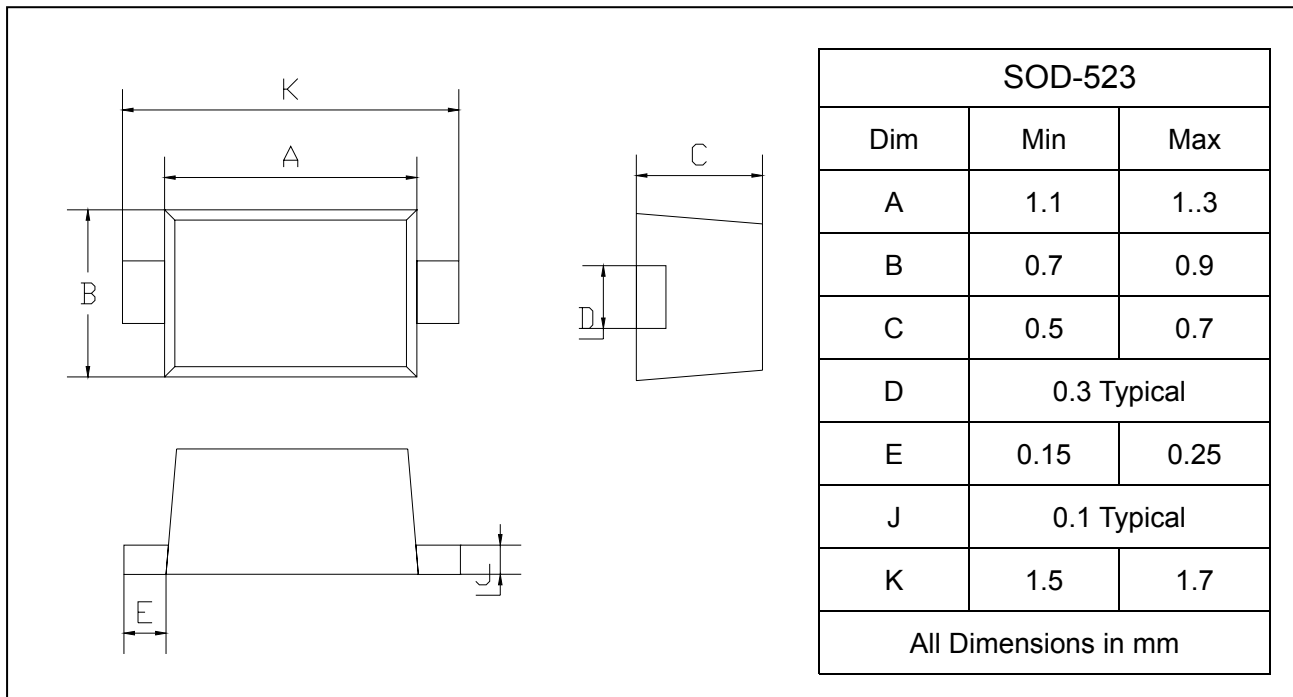


Figure 4. Capacitance

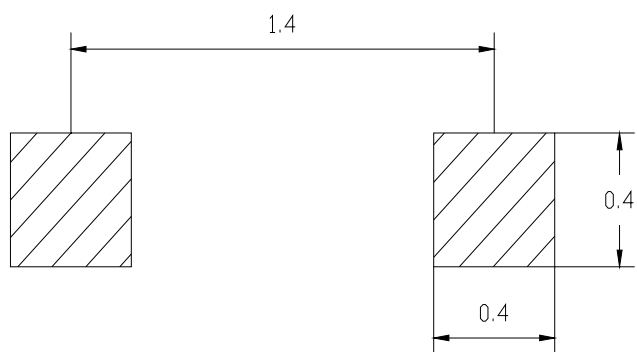
## PACKAGE OUTLINE

Plastic surface mounted package

SOD-523



## SOLDERING FOOTPRINT



Unit: mm

## PACKAGE INFORMATION

Device	Package	Shipping
BAS16X	SOD-523	3000/Tape&Reel

## X-ON Electronics

Largest Supplier of Electrical and Electronic Components

*Click to view similar products for [Diodes - General Purpose, Power, Switching category](#):*

*Click to view products by [SLKORMICRO manufacturer](#):*

Other Similar products are found below :

[MCL4151-TR3](#) [MMBD3004S-13-F](#) [RD0306T-H](#) [DSE010-TR-E](#) [BAV17-TR](#) [BAV19-TR](#) [1N3611](#) [NTE156A](#) [NTE574](#) [NTE6244](#) [1SS181-TP](#) [1SS400CST2RA](#) [SDAA13](#) [SHN2D02FUTW1T1G](#) [LS4151GS08](#) [FC903-TR-E](#) [1N4449](#) [1N456A](#) [1N4934-E3/73](#) [1N914B](#) [1N914BTR](#) [1SS226-TP](#) [RFUH20TB3S](#) [D291S45T](#) [BAV300-TR](#) [BAW56DWQ-7-F](#) [BAW75-TAP](#) [MM230L-CAA](#) [IDW40E65D1](#) [JAN1N3600](#) [JAN1N4153-1](#) [JAN1N4454-1](#) [JAN1N4454UR-1](#) [LL4151-GS18](#) [053684A](#) [SMMSD4148T3G](#) [707803H](#) [NSVDAN222T1G](#) [CDSZC01100-HF](#) [LL4150-M-08](#) [1N4454-TR](#) [BAV70HDW-7](#) [BAS28-7](#) [JANTX1N6640](#) [BAW56HDW-13](#) [BAS28 TR](#) [VS-HFA04SD60STR-M3](#) [NSVM1MA152WKT1G](#) [1SS388-TP](#) [RGP30D-E3/73](#)