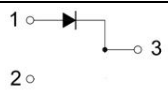
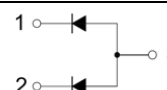
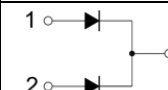

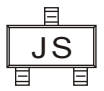
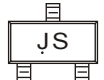
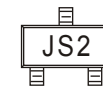
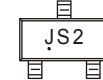




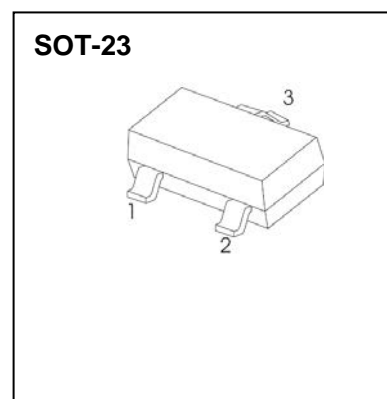


SWITCHING DIODE

FEATURES

- Fast Switching Speed
- Surface Mount Package Ideally Suited for Automatic Insertion
- For General Purpose Switching Applications
- High Conductance

| BAS21 | BAS21A | BAS21C | BAS21S |
|---|---|---|---|
|  |  |  |  |
| MARKING: JS | MARKING: JS2 | MARKING: JS3 | MARKING: JS4 |
|   |   |   |   |



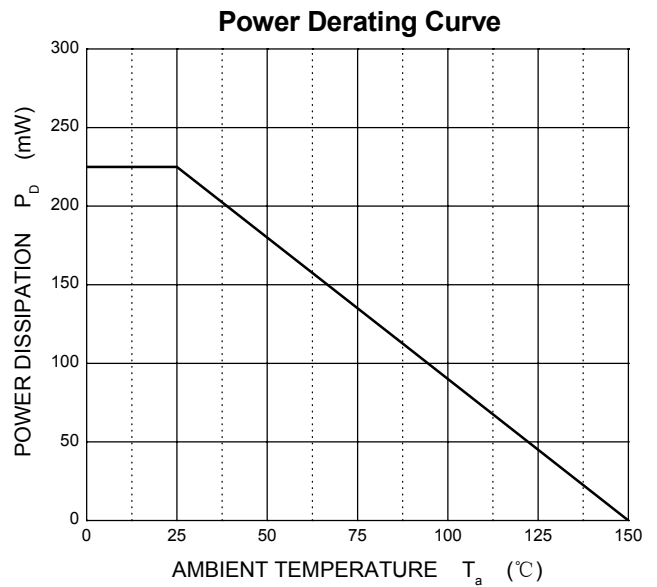
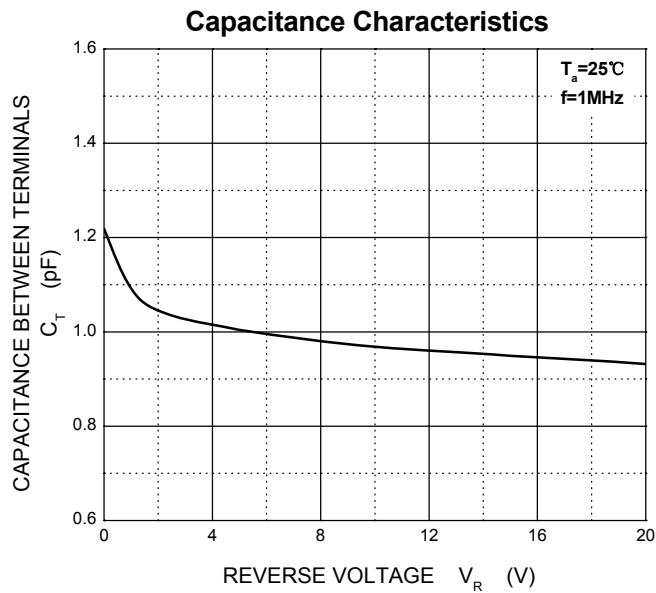
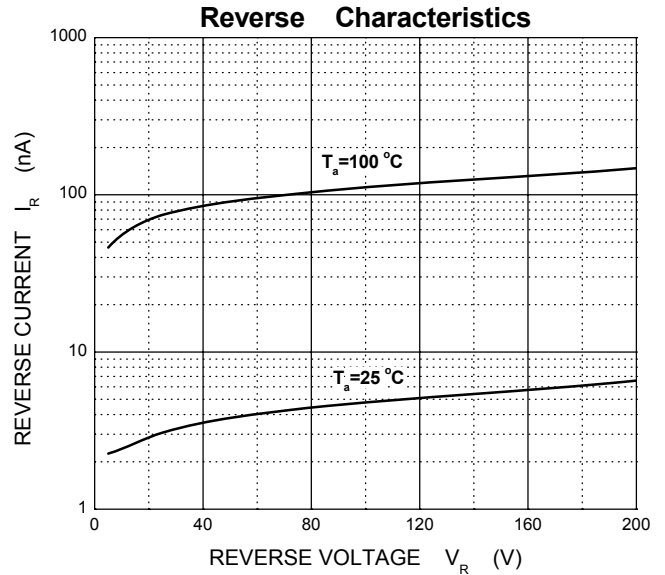
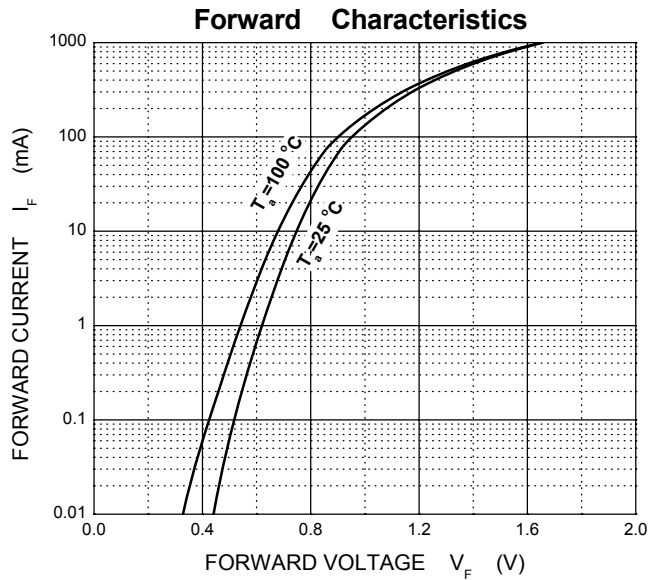
Maximum Ratings @Ta=25°C

| Parameter | Symbol | Limit | Unit |
|---|-----------------|----------|------|
| Repetitive peak reverse voltage | V_{RRM} | 250 | V |
| Working peak reverse voltage | V_{RWM} | | |
| DC blocking voltage | V_R | | |
| Forward continuous current | I_{FM} | 400 | mA |
| Average rectified output current | I_O | 200 | mA |
| Non-Repetitive Peak Forward Surge Current @ t=8.3ms | I_{FSM} | 2.5 | A |
| Repetitive peak forward surge current | I_{FRM} | 625 | mA |
| Power dissipation | P_D | 225 | mW |
| Thermal resistance junction to ambient | $R_{\theta JA}$ | 555 | °C/W |
| Operation Junction and Storage Temperature Range | T_J, T_{STG} | -55~+150 | °C |

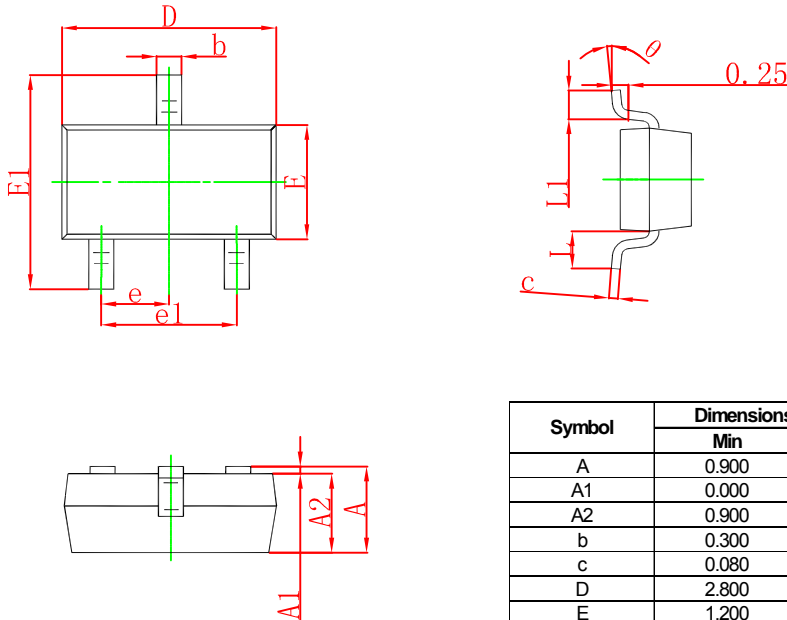
ELECTRICAL CHARACTERISTICS (Ta=25°C unless otherwise specified)

| Parameter | Symbol | Test conditions | Min | Max | Unit |
|---------------------------------|------------|--|-----|--------------|---------|
| Reverse breakdown voltage | $V_{(BR)}$ | $I_R = 100\mu A$ | 250 | | V |
| Reverse voltage leakage current | I_R | $V_R = 200V$ | | 0.1 | μA |
| Forward voltage | V_F | $I_F = 100mA$ $I_F = 200mA$ | | 1000 1250 | mV |
| Diode capacitance | C_D | $V_R = 0V, f = 1MHz$ | | 5 | pF |
| Reverse recovery time | t_{rr} | $I_F = I_R = 30mA, I_{rr} = 0.1 \times I_R, R_L = 100\Omega$ | | 50 | ns |

Typical Characteristics

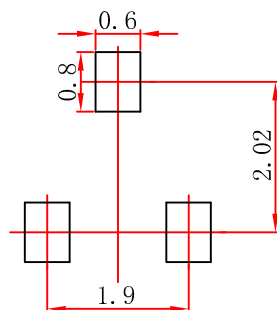


SOT-23 Package Outline Dimensions



| Symbol | Dimensions In Millimeters | | Dimensions In Inches | |
|--------|---------------------------|-------|----------------------|-------|
| | Min | Max | Min | Max |
| A | 0.900 | 1.150 | 0.035 | 0.045 |
| A1 | 0.000 | 0.100 | 0.000 | 0.004 |
| A2 | 0.900 | 1.050 | 0.035 | 0.041 |
| b | 0.300 | 0.500 | 0.012 | 0.020 |
| c | 0.080 | 0.150 | 0.003 | 0.006 |
| D | 2.800 | 3.000 | 0.110 | 0.118 |
| E | 1.200 | 1.400 | 0.047 | 0.055 |
| E1 | 2.250 | 2.550 | 0.089 | 0.100 |
| e | 0.950 TYP | | 0.037 TYP | |
| e1 | 1.800 | 2.000 | 0.071 | 0.079 |
| L | 0.550 REF | | 0.022 REF | |
| L1 | 0.300 | 0.500 | 0.012 | 0.020 |
| θ | 0° | 8° | 0° | 8° |

SOT-23 Suggested Pad Layout



- Note:
1. Controlling dimension: in millimeters.
 2. General tolerance: $\pm 0.05\text{mm}$.
 3. The pad layout is for reference purposes only.

X-ON Electronics

Largest Supplier of Electrical and Electronic Components

Click to view similar products for [Diodes - General Purpose, Power, Switching category:](#)

Click to view products by [SLKORMICRO manufacturer:](#)

Other Similar products are found below :

[MCL4151-TR3](#) [MMBD3004S-13-F](#) [RD0306T-H](#) [1N3611](#) [NTE156A](#) [NTE574](#) [NTE6244](#) [1SS193,LF](#) [1SS400CST2RA](#) [SDAA13](#)
[SHN2D02FUTW1T1G](#) [LS4151GS08](#) [1N4449](#) [1N456A](#) [1N4934-E3/73](#) [1N914BTR](#) [RFUH20TB3S](#) [D291S45T](#) [BAV300-TR](#) [BAW56DWQ-](#)
[7-F](#) [BAW75-TAP](#) [MM230L-CAA](#) [IDW40E65D1](#) [JAN1N3600](#) [JAN1N4454UR-1](#) [LL4151-GS18](#) [SMMSD4148T3G](#) [BYW95B/A52A](#)
[NSVDAN222T1G](#) [CDSZC01100-HF](#) [LL4150-M-08](#) [1N4454-TR](#) [BAV70HDW-7](#) [BAS28-7](#) [JANTX1N6640](#) [BAW56HDW-13](#) [BAS28 TR](#)
[VS-HFA04SD60STR-M3](#) [NSVM1MA152WKT1G](#) [1SS388-TP](#) [RGP30D-E3/73](#) [VS-8EWF02S-M3](#) [BAV99TQ-13-F](#) [BAV99HDW-13](#)
[MMDB30-E28X](#) [IDP20C65D2XKSA1](#) [LS4148](#) [IDV15E65D2](#) [NSVM1MA152WAT1G](#) [HN4D02JU\(TE85L,F\)](#)