

## Surface Mount Schottky Barrier Diodes

### FEATURES

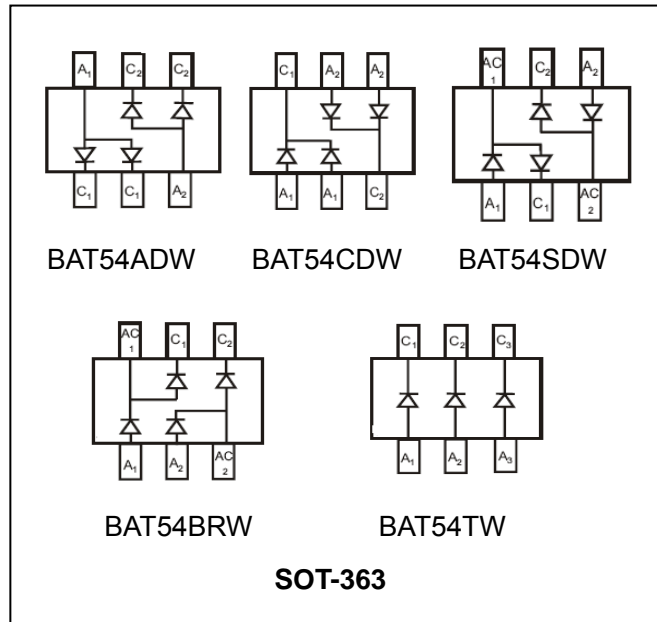
- Low forward voltage drop.
- Fast switching.
- Ultra-small surface mount package.
- PN Junction guard ring for transient and ESD protection.
- Available in lead free version.



### APPLICATIONS

- High speed switching application.

### ORDERING INFORMATION



Type No.	Marking	Package Code
BAT54TW	KLA	SOT-363
BAT54ADW	KL6	SOT-363
BAT54CDW	KL7	SOT-363
BAT54SDW	KL8	SOT-363
BAT54BRW	KLB	SOT-363

### MAXIMUM RATING @ Ta=25°C unless otherwise specified

Symbol	Characteristic	Value	Unit
$V_{RRM}$	Repetitive peak reverse Voltage	30	V
$V_{RWM}$	Working peak reverse voltage		
$V_R$	DC reverse voltage		
$I_F$	Forward continuous current	200	mA
$I_{FRM}$	Repetitive peak forward current	300	mA
$I_{FSM}$	Forward surge current @t<1.0s	0.6	A
$P_D$	Power Dissipation	200	mW
$R_{\theta JA}$	Thermal resistance, Junction to ambient air	625	°C/W
$T_j, T_{stg}$	Operating and Storage Temperature	-65 to +125	°C

**ELECTRICAL CHARACTERISTICS @ Ta=25°C unless otherwise specified**

Parameter	Symbol	Test conditions	MIN	MAX	UNIT
Reverse breakdown voltage	$V_{(BR)R}$	$I_R=100\mu A$	30		V
Average reverse current	$I_R$	$V_R=25V$		2.0	$\mu A$
Forward voltage	$V_F$	$I_F=0.1mA$ $I_F=1mA$ $I_F=10mA$ $I_F=30mA$ $I_F=100mA$		0.24 0.32 0.4 0.5 1	V
Total Capacitance	$C_T$	$V_R=1.0V, f=1.0MHz$		10	pF
Reverse Recovery time	$t_{rr}$	$I_F=I_R=10mA, R_L=100\Omega$		5.0	ns

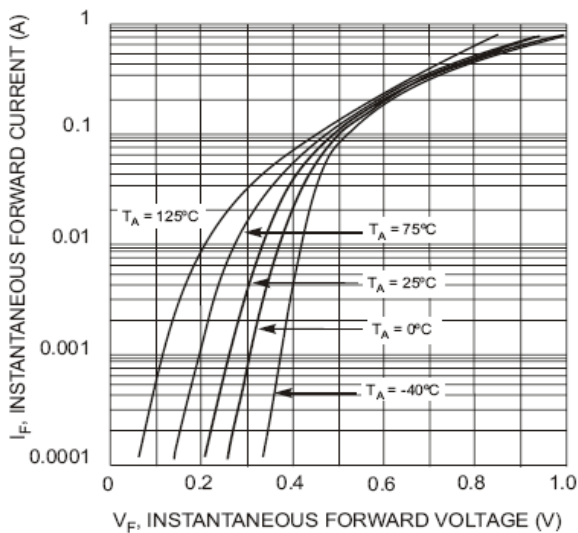
**TYPICAL CHARACTERISTICS @ Ta=25°C unless otherwise specified**


Fig. 1 Forward Characteristics

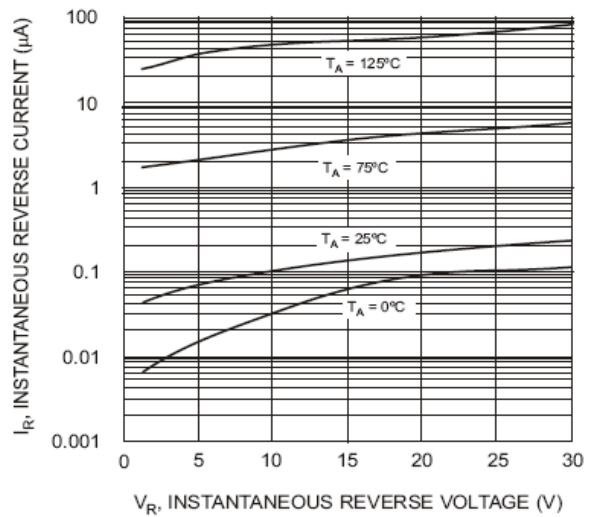
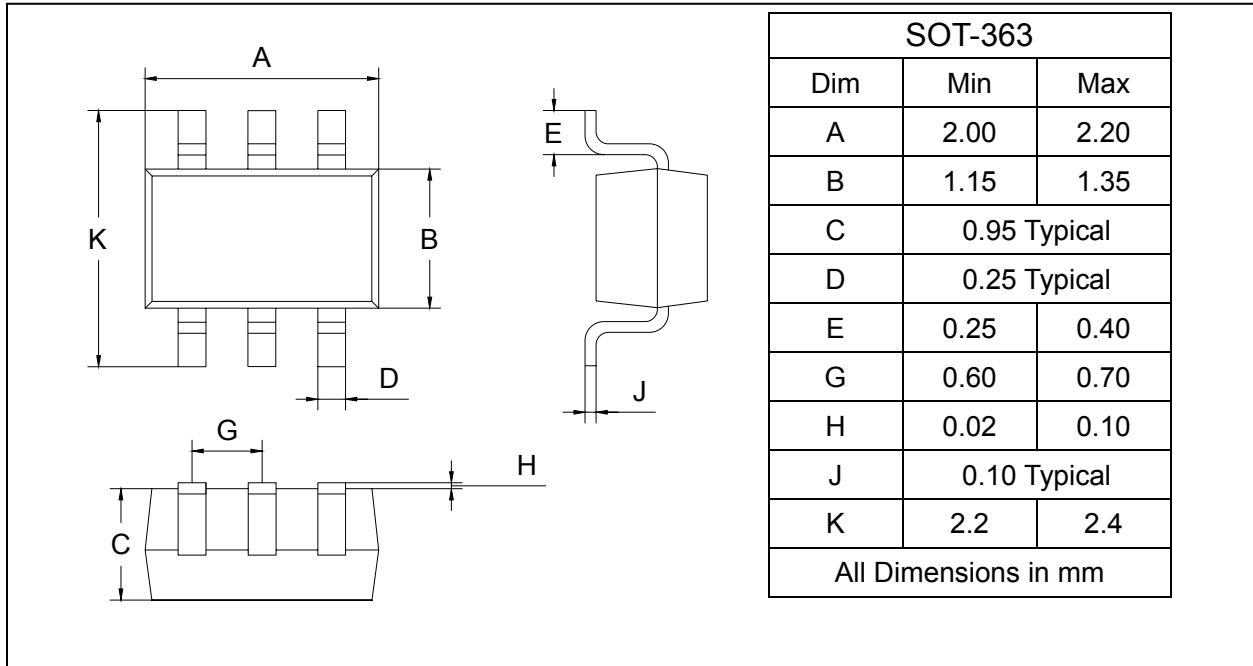


Fig. 2 Typical Reverse Characteristics

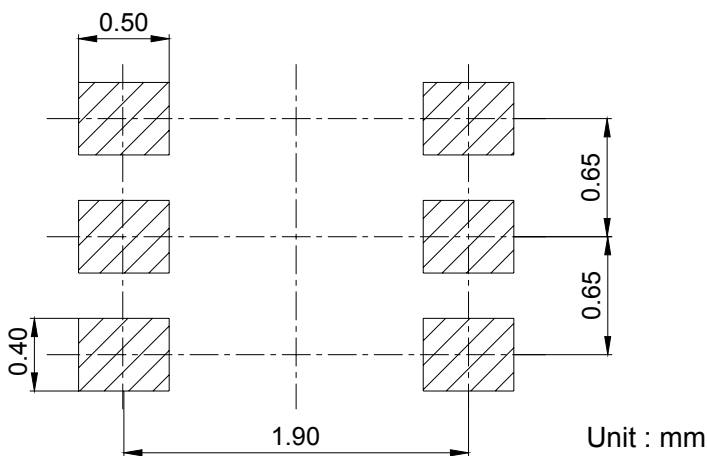
## PACKAGE OUTLINE

Plastic surface mounted package

SOT-363



## SOLDERING FOOTPRINT



## PACKAGE INFORMATION

Device	Package	Shipping
BAT54TW/BAT54ADW/BAT54CDW BAT54SDW/BAT54BRW	SOT-363	3000/Tape&Reel

## X-ON Electronics

Largest Supplier of Electrical and Electronic Components

*Click to view similar products for [Schottky Diodes & Rectifiers](#) category:*

*Click to view products by [SLKORMICRO](#) manufacturer:*

Other Similar products are found below :

[MA4E2039](#) [MA4E2508M-1112](#) [MBR1545CT](#) [MMBD301M3T5G](#) [RB160M-50TR](#) [D83C](#) [BAS16E6433HTMA1](#) [BAT 54-02LRH E6327](#)  
[NRVBAF360T3G](#) [NSR05F40QNXT5G](#) [NTE555](#) [JANS1N6640](#) [SK310-T](#) [SK34B-TP](#) [SS3003CH-TL-E](#) [GA01SHT18](#)  
[CRS10I30A\(TE85L,QM](#) [MA4E2501L-1290](#) [MBRA140TRPBF](#) [MBRB30H30CT-1G](#) [BAT 15-04R E6152](#) [JANTX1N5712-1](#) [DMJ3940-000](#)  
[SB007-03C-TB-E](#) [SK33B-TP](#) [NRVBB20100CTT4G](#) [NRVBM120LT1G](#) [NTSB30U100CT-1G](#) [VS-6CWQ10FNHM3](#) [CRG04\(T5L,TEMQ\)](#)  
[ACDBA1100LR-HF](#) [ACDBA1200-HF](#) [ACDBA240-HF](#) [ACDBA3100-HF](#) [CDBQC0530L-HF](#) [CDBQC0240LR-HF](#) [ACDBA260LR-HF](#)  
[ACDBA1100-HF](#) [MA4E2502L-1246](#) [10BQ015-M3/5BT](#) [NRVBM120ET1G](#) [CRS08TE85LQM](#) [PMAD1108-LF](#) [B120Q-13-F](#) [1N5819T-G](#)  
[B0530WSQ-7-F](#) [PDS1040Q-13](#) [B160BQ-13-F](#) [SDM05U20CSP-7](#) [B140S1F-7](#)