

(CBB82B) 塑胶外壳双面金属化聚丙烯膜电容器规格书



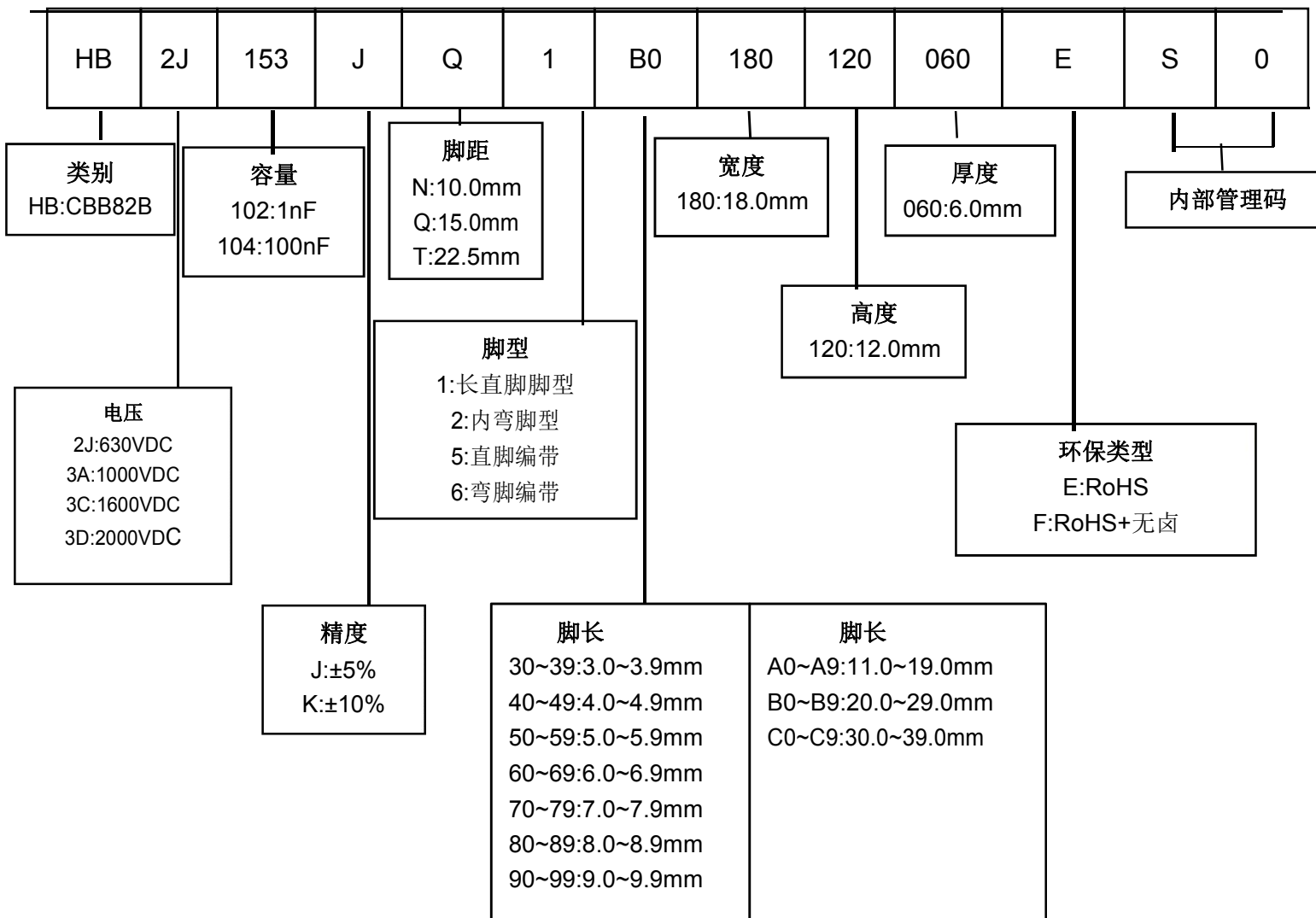
特点

- 电容器容量范围从 0.001 μ F 到 0.47 μ F。
- 工作温度：-40 $^{\circ}$ C~110 $^{\circ}$ C
- 储存温度：15 $^{\circ}$ C~35 $^{\circ}$ C
- 损耗小，内部温升小
- 优异的阻燃性能
- 负电容量温度系数。
- 双面金属化结构。

用途

- 广泛应用于高压高频脉冲电路中。
- 电子镇流器和节能灯中。
- 大电流谐振电路。

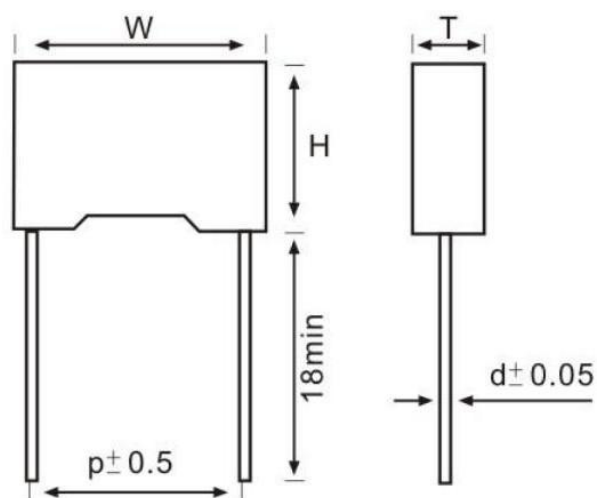
料号编码原则



技术要求

| | |
|-------|--|
| 气候类别 | 40/110/56 |
| 额定电压 | 250VAC(630VDC)、400VAC(1000VDC)、 600VAC(1600VDC)、700VAC(2000VDC) |
| 损耗角正切 | ≤0.1%(1KHz、1.0Vrms、20℃) |
| 耐电压 | 1.75U _R (5s) |
| 绝缘电阻 | IR≥50000MΩ (AT 100VDC、60SEC、20℃) |

外形尺寸 (mm)

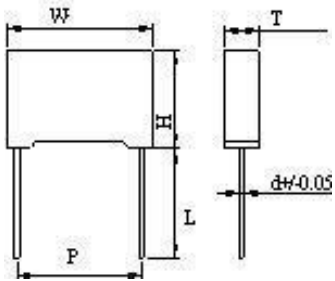
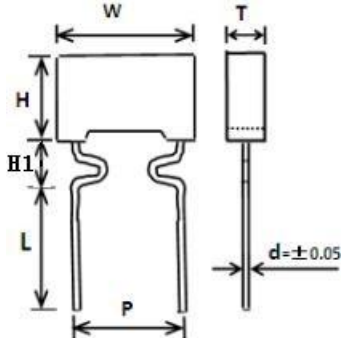


| 容量(uF) | 电压 | 尺寸(mm) | | | | |
|--------|---------|--------|-------|-------|---------|----------|
| | | W Max | H Max | T Max | P ± 1.0 | d ± 0.05 |
| 0.001 | 630VDC | 13.0 | 9.0 | 4.0 | 10.0 | 0.6 |
| | 1000VDC | 18.0 | 11.0 | 5.0 | 15.0 | 0.8 |
| | 1600VDC | 18.0 | 11.0 | 5.0 | 15.0 | 0.8 |
| | 2000VDC | 26.0 | 13.5 | 6.0 | 22.5 | 0.8 |
| 0.0012 | 630VDC | 13.0 | 9.0 | 4.0 | 10.0 | 0.6 |
| | 1000VDC | 18.0 | 11.0 | 5.0 | 15.0 | 0.8 |
| | 1600VDC | 18.0 | 11.0 | 5.0 | 15.0 | 0.8 |
| | 2000VDC | 26.0 | 13.5 | 6.0 | 22.5 | 0.8 |
| 0.0015 | 630VDC | 13.0 | 9.0 | 4.0 | 10.0 | 0.6 |
| | 1000VDC | 18.0 | 11.0 | 5.0 | 15.0 | 0.8 |
| | 1600VDC | 18.0 | 11.0 | 5.0 | 15.0 | 0.8 |
| | 2000VDC | 26.0 | 13.5 | 6.0 | 22.5 | 0.8 |
| 0.0018 | 630VDC | 13.0 | 11.0 | 5.0 | 10.0 | 0.6 |
| | 1000VDC | 18.0 | 11.0 | 5.0 | 15.0 | 0.8 |
| | 1600VDC | 18.0 | 11.0 | 5.0 | 15.0 | 0.8 |
| | 2000VDC | 26.0 | 13.5 | 6.0 | 22.5 | 0.8 |
| 0.0022 | 630VDC | 13.0 | 11.0 | 5.0 | 10.0 | 0.6 |
| | 1000VDC | 18.0 | 11.0 | 5.0 | 15.0 | 0.8 |
| | 1600VDC | 18.0 | 11.0 | 5.0 | 15.0 | 0.8 |
| | 2000VDC | 26.0 | 13.5 | 6.0 | 22.5 | 0.8 |

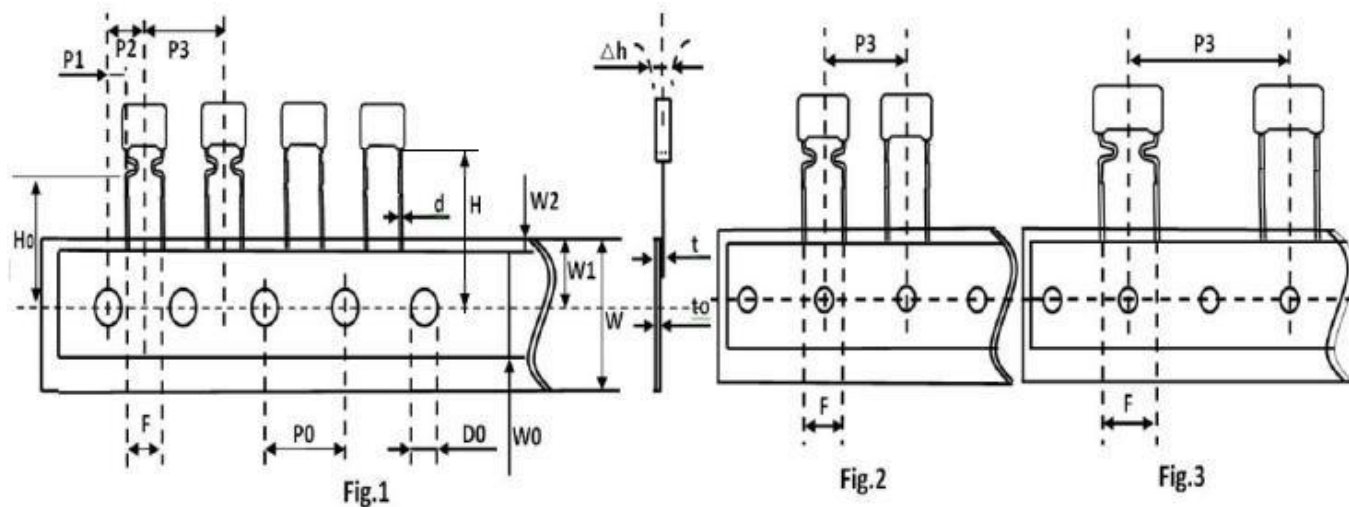
| 容量(uF) | 电压 | 尺寸 (mm) | | | | |
|--------|---------|---------|-------|-------|-------|--------|
| | | W Max | H Max | T Max | P±1.0 | d±0.05 |
| 0.0027 | 630VDC | 13.0 | 11.0 | 5.0 | 10.0 | 0.6 |
| | 1000VDC | 18.0 | 11.0 | 5.0 | 15.0 | 0.8 |
| | 1600VDC | 18.0 | 12.0 | 6.0 | 15.0 | 0.8 |
| | 2000VDC | 26.0 | 13.5 | 6.0 | 22.5 | 0.8 |
| 0.0033 | 630VDC | 13.0 | 11.0 | 5.0 | 10.0 | 0.6 |
| | 1000VDC | 18.0 | 11.0 | 5.0 | 15.0 | 0.8 |
| | 1600VDC | 18.0 | 12.0 | 6.0 | 15.0 | 0.8 |
| | 2000VDC | 26.0 | 13.5 | 6.0 | 22.5 | 0.8 |
| 0.0039 | 630VDC | 13.0 | 12.0 | 6.0 | 10.0 | 0.6 |
| | 1000VDC | 18.0 | 11.0 | 5.0 | 15.0 | 0.8 |
| | 1600VDC | 18.0 | 13.5 | 7.5 | 15.0 | 0.8 |
| | 2000VDC | 26.0 | 13.5 | 6.0 | 22.5 | 0.8 |
| 0.0047 | 630VDC | 13.0 | 13.0 | 7.0 | 10.0 | 0.6 |
| | 1000VDC | 18.0 | 11.0 | 5.0 | 15.0 | 0.8 |
| | 1600VDC | 18.0 | 13.5 | 7.5 | 15.0 | 0.8 |
| | 2000VDC | 26.0 | 13.5 | 6.0 | 22.5 | 0.8 |
| 0.0056 | 630VDC | 13.0 | 13.0 | 7.0 | 10.0 | 0.6 |
| | 1000VDC | 18.0 | 12.0 | 6.0 | 15.0 | 0.8 |
| | 1600VDC | 18.0 | 13.5 | 7.5 | 15.0 | 0.8 |
| | 2000VDC | 26.0 | 13.5 | 6.0 | 22.5 | 0.8 |
| 0.0068 | 630VDC | 18.0 | 11.0 | 5.0 | 15.0 | 0.8 |
| | 1000VDC | 18.0 | 12.0 | 6.0 | 15.0 | 0.8 |
| | 1600VDC | 18.0 | 14.5 | 8.5 | 15.0 | 0.8 |
| | 2000VDC | 26.0 | 16.5 | 7.0 | 22.5 | 0.8 |
| 0.0082 | 630VDC | 18.0 | 12.0 | 6.0 | 15.0 | 0.8 |
| | 1000VDC | 18.0 | 13.5 | 7.5 | 15.0 | 0.8 |
| | 1600VDC | 26.0 | 15.0 | 6.0 | 22.5 | 0.8 |
| | 2000VDC | 26.0 | 16.5 | 7.0 | 22.5 | 0.8 |
| 0.01 | 630VDC | 18.0 | 12.0 | 6.0 | 15.0 | 0.8 |
| | 1000VDC | 18.0 | 13.5 | 7.5 | 15.0 | 0.8 |
| | 1600VDC | 26.0 | 13.5 | 7.0 | 22.5 | 0.8 |
| | 2000VDC | 26.0 | 17.0 | 8.5 | 22.5 | 0.8 |
| 0.012 | 630VDC | 18.0 | 12.0 | 6.0 | 15.0 | 0.8 |
| | 1000VDC | 18.0 | 14.5 | 8.5 | 15.0 | 0.8 |
| | 1600VDC | 26.0 | 16.5 | 7.0 | 22.5 | 0.8 |
| | 2000VDC | 26.0 | 19.0 | 11.0 | 22.5 | 0.8 |

| 容量(uF) | 电压 | 尺寸 (mm) | | | | |
|--------|---------|---------|-------|-------|-------|--------|
| | | W Max | H Max | T Max | P±1.0 | d±0.05 |
| 0.015 | 630VDC | 18.0 | 13.5 | 7.5 | 15.0 | 0.8 |
| | 1000VDC | 18.0 | 15.0 | 9.0 | 15.0 | 0.8 |
| | 1600VDC | 26.0 | 17.0 | 8.5 | 22.5 | 0.8 |
| | 2000VDC | 26.0 | 19.0 | 10.0 | 22.5 | 0.8 |
| 0.018 | 630VDC | 18.0 | 13.5 | 7.5 | 15.0 | 0.8 |
| | 1000VDC | 26.0 | 15.0 | 6.0 | 22.5 | 0.8 |
| | 1600VDC | 26.0 | 19.0 | 10.0 | 22.5 | 0.8 |
| | 2000VDC | 26.0 | 20.0 | 10.0 | 22.5 | 0.8 |
| 0.022 | 630VDC | 18.0 | 14.5 | 8.5 | 15.0 | 0.8 |
| | 1000VDC | 26.0 | 16.5 | 7.0 | 22.5 | 0.8 |
| | 1600VDC | 26.0 | 19.0 | 10.0 | 22.5 | 0.8 |
| 0.027 | 630VDC | 18.0 | 14.5 | 8.5 | 15.0 | 0.8 |
| | 1000VDC | 26.0 | 17.0 | 8.5 | 22.5 | 0.8 |
| | 1600VDC | 26.0 | 20.0 | 11.0 | 22.5 | 0.8 |
| 0.033 | 630VDC | 18 | 14.5 | 8.5 | 15 | 0.8 |
| | 1000VDC | 26 | 17 | 8.5 | 15 | 0.8 |
| 0.039 | 630VDC | 26.0 | 16.5 | 7.0 | 22.5 | 0.8 |
| | 1000VDC | 26 | 19 | 10 | 22.5 | 0.8 |
| 0.047 | 630VDC | 18 | 14.5 | 8.5 | 15 | 0.8 |
| | 1000VDC | 26.0 | 19.0 | 10 | 22.5 | 0.8 |
| 0.056 | 630VDC | 18 | 14.5 | 8.5 | 15 | 0.8 |
| | 1000VDC | 26.0 | 19.0 | 10.0 | 22.5 | 0.8 |
| 0.068 | 630VDC | 18 | 16 | 10.0 | 15 | 0.8 |
| | 1000VDC | 26.0 | 19.0 | 10.0 | 22.5 | 0.8 |
| 0.082 | 630VDC | 18 | 16.0 | 10.0 | 15 | 0.8 |
| | 1000VDC | 26.0 | 19.0 | 10.0 | 22.5 | 0.8 |
| 0.1 | 630VDC | 18 | 19 | 11 | 15 | 0.8 |
| | 1000VDC | 26.5 | 20 | 11 | 22.5 | 0.8 |
| 0.15 | 630VDC | 18 | 19 | 11 | 15 | 0.8 |
| | 1000VDC | 26 | 21.5 | 12 | 22.5 | 0.8 |
| 0.22 | 630VDC | 26 | 23 | 13 | 22.5 | 0.8 |
| 0.33 | 630VDC | 26 | 23 | 13 | 22.5 | 0.8 |
| 0.47 | 630VDC | 26 | 23 | 13 | 22.5 | 0.8 |

脚型、脚长说明

| 脚型 | 图示 | 脚长 L (mm) | 高度 H1(mm) |
|-------|--|--|---|
| 长直脚脚型 |  | ① $[2.5 \leq L < 6.0] \pm 0.5$; ② $[6.0 \leq L \leq 10] \pm 1.0$ | / |
| 内弯脚型 |  | ① $[2.5 \leq L < 6.0] \pm 0.5$; ② $[6.0 \leq L \leq 10] \pm 1.0$ | 脚距 $P > 10\text{mm}$: $H1 < 6.0\text{mm}$ 脚距 $P \leq 10\text{mm}$: $H1 < 5.0\text{mm}$ |

编带尺寸 (mm)



| 代码 | Fig.1 P=5.0 | Fig.2 P=7.5 | Fig.2 P=10 | Fig.3 P=15 | Fig.3 P=20/22.5 | 误差 |
|-----|----------------|----------------|---------------|---------------|--------------------|-----------|
| P3 | 12.7 | 12.7 | 12.7 | 25.4 | 30.0 | ±1.0 |
| P2 | 6.35 | / | / | / | / | ±1.3 |
| P0 | 12.7 | 12.7 | 12.7 | 12.7 | 15.0 | ±0.3 |
| P1 | 3.85 | / | / | / | / | ±0.7 |
| F | 5.0 | 7.5 | 10.0 | 15.0 | 20.0/22.5 | ±1.0 |
| H | 20.0 | 20.0 | 20.0 | 20.0 | 20.0 | ±1.0 |
| H0 | 16.5 | 16.5 | 16.5 | 16.5 | 16.5 | ±0.5 |
| Δ h | 0 | 0 | 0 | 0 | 0 | ±2.0 |
| W | 18.0 | 18.0 | 18.0 | 18.0 | 18.0 | +1.0/-0.5 |
| W0 | 12.0 | 12.0 | 12.0 | 12.0 | 12.0 | ±1.0 |
| W1 | 9.0 | 9.0 | 9.0 | 9.0 | 9.0 | ±0.5 |
| W2 | 3.0 | 3.0 | 3.0 | 3.0 | 3.0 | Max |
| D0 | 4.0 | 4.0 | 4.0 | 4.0 | 4.0 | ±0.3 |
| d | 0.5 | 0.6 | 0.6 | 0.8 | 0.8 | ±0.05 |
| t | 1.0 | 1.1 | 1.1 | 1.4 | 1.4 | ±0.2 |
| t0 | 0.38 | 0.38 | 0.38 | 0.47 | 0.47 | ±0.04 |

X-ON Electronics

Largest Supplier of Electrical and Electronic Components

Click to view similar products for [Film Capacitors](#) category:

Click to view products by [SLKORMICRO](#) manufacturer:

Other Similar products are found below :

[703-6G](#) [82DC4100CK60J](#) [82EC1100DQ50K](#) [MMWAF150KME](#) [PCY2130F30153](#) [QXJ2E474KTPT](#) [QXL2B333KTPT](#) [QXM2G104K](#)
[DPM16S56K-1F](#) [EEC2G505HQA406](#) [B32234-.033@250V-K](#) [B81133-C1104-M3](#) [MTC355L1](#) [217-0716-001](#) [PA225L30](#) [CB182K0184J--](#)
[KP1830-247/061-G](#) [274ACF4400WA0J](#) [274ACF5150WA0J](#) [SCD105K122A3-22](#) [SCD205K122A3-24](#) [PCX2339F65224](#) [PCX2339F65334](#)
[2222 368 55105](#) [2222 370 21683](#) [QXL2E473KTPT](#) [445450-1](#) [MKT182022263473](#) [WMC08P22](#) [46KN410000N1K](#) [46KR368050M1M](#) [ECQ-](#)
[W4223KZ](#) [EEC2G805HQA415](#) [PA103L30](#) [82DC4100AA60K](#) [82EC2150DQ50K](#) [VEA105K50](#) [82IC2150DQ50J](#) [82EC2220DQ50J](#)
[MTC55L4](#) [MTC56L4](#) [730P205X9400](#) [PA104L30](#) [PA224L30](#) [82DC3220AA60J](#) [82EC4100DQ70J](#) [WYP-104M](#) [82CC4220AA70J](#)
[82EC3100Z370J](#) [B32656S8105K566](#)