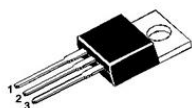


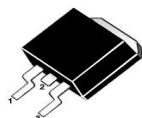
## SCHOTTKY BARRIER RECTIFIER



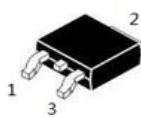
TO-220AB/MBR20100CT



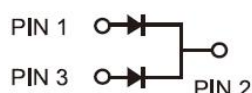
TO-220F/MBRF20100CT



TO-263/MBRB20100CT



TO-252/MBRD20100CT



### FEATURES

- Low forward voltage
- High current capability
- High forward surge capability
- Low power losses, High efficiency
- Guarding for over voltage protection

### APPLICATIONS

Low VF Schottky barrier rectifier are designed for high frequency, miniature switched mode power supplies such as adapters ,lighting and on-board DC/DC conerters

### Primary Characteristic

$I_O$	2*10A
$V_{RRM}$	100V
$I_{FSM}$	250A
$V_F$	0.68V
$T_{j,max}$	150°C
Assembly code	AL

### MECHANICAL DATA

- **Case:** Molded plastic
- **Polarity:** As marked
- **Mounting Position:** Any
- **Molded Plastic:** UL Flammability Classification Rating 94V-0
- Lead free in compliance with EU RoHS 2011/65/EU directive
- Solder bath temperature 275°C maximum, 10s per JESD 22-B106

### Maximum Ratings (Per Leg) at $T_a=25^\circ\text{C}$ unless otherwise specified

Characteristics	Symbol	Value	Unit
Maximum Repetitive Peak Reverse Voltage	$V_{RRM}$	100	V
Working Peak Reverse Voltage	$V_{RWM}$	100	V
Maximum DC Blocking Voltage	$V_{DC}$	100	V
Maximum Average Forward Rectified Current	Per Leg	10	A
	Total	20	
Peak Forward Surge Current, 8.3 ms Single Half Sine-wave	$I_{FSM}$	250	A
Operating Temperature Range	$T_J$	150	°C
Storage Temperature Range	$T_{STG}$	-40 to +150	°C
Typical Thermal Resistance (Note1)	$R_{\theta JC}$	2	°C/W
TO-220AB, TO-263, TO-252			
TO-220F		4	

Note1: Thermal resistance from Junction to case per leg mounted on heatsink.

### Electrical Characteristics (Per Leg) unless otherwise specified

Characteristics	Symbol	Value		Unit		
Forward Voltage Drop(Note2)	$V_F$	Typ.	Max.	V		
		at $I_F=3A$	$T_A=25^\circ\text{C}$		0.69	-
			$T_A=125^\circ\text{C}$		0.60	-
		at $I_F=5A$	$T_A=25^\circ\text{C}$		0.74	-
			$T_A=125^\circ\text{C}$		0.61	-
		at $I_F=10A$	$T_A=25^\circ\text{C}$		0.82	0.85
			$T_A=125^\circ\text{C}$		0.68	-
		Maximum Reverse Current at $V_R=100V$	$I_R$		$T_A=25^\circ\text{C}$	1.5
$T_A=125^\circ\text{C}$	1			mA		

Note2: Pulse test: 300 μs pulse width, 1 % duty cycle

## RATINGS AND CHARACTERISTIC CURVES

FIG.1 MAXIMUM FORWARD CURRENT DERATING CURVE

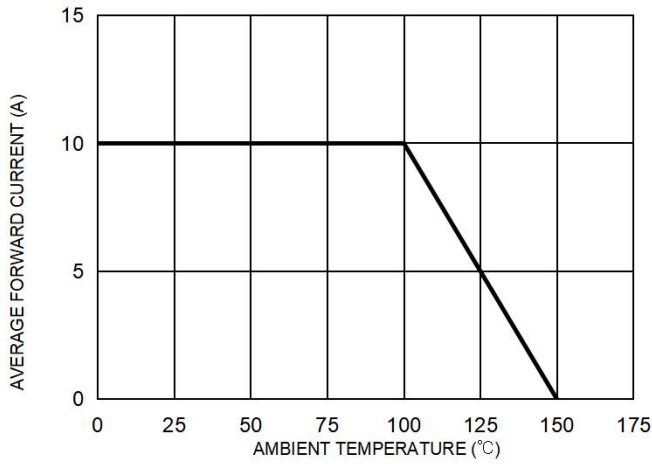


FIG. 2 MAXIMUM NON-REPETITIVE FORWARD SURGE CURRENT PER LEG

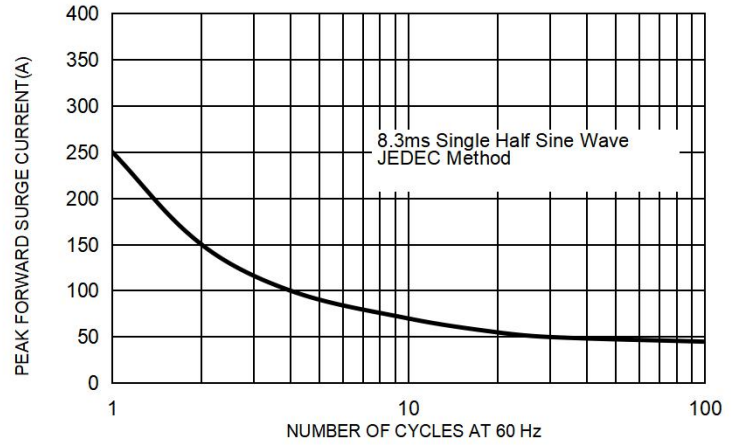


FIG. 3 TYPICAL FORWARD CHARACTERISTICS PER LEG

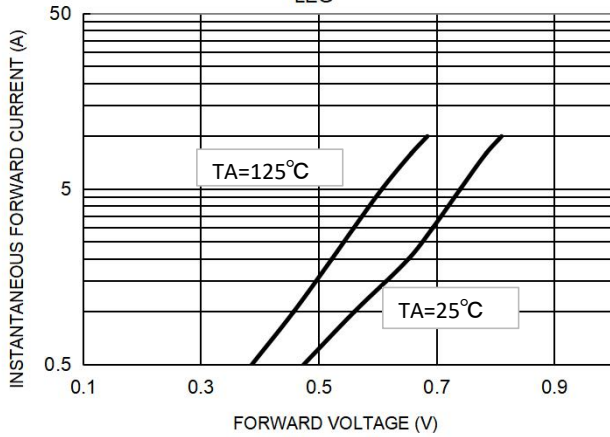
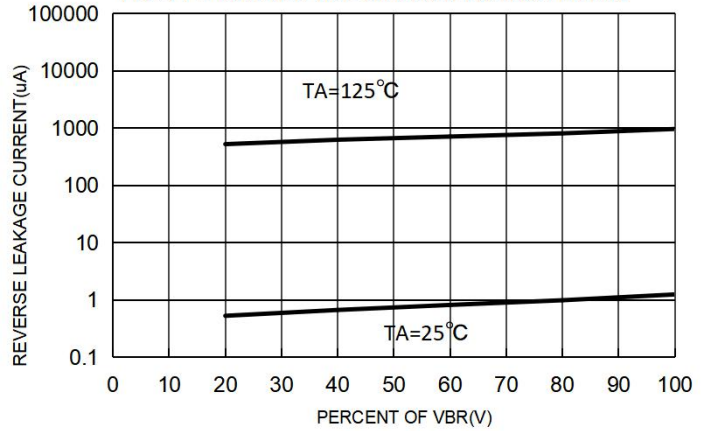
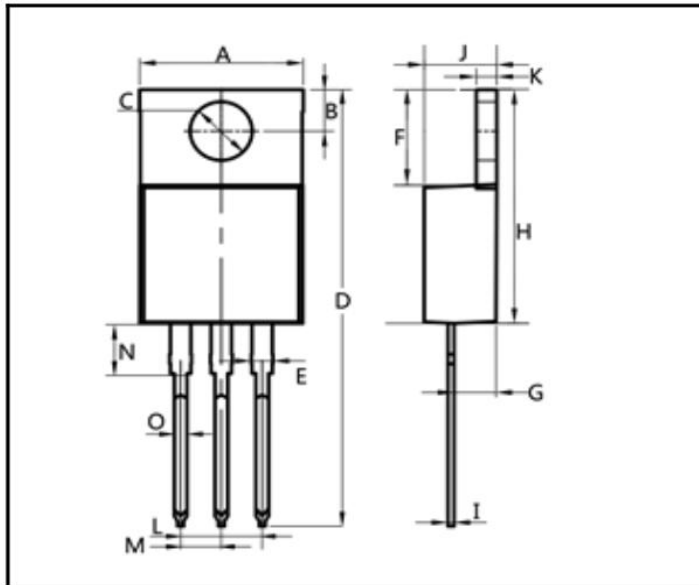


FIG. 4 TYPICAL REVERSE CHARACTERISTICS PER LEG



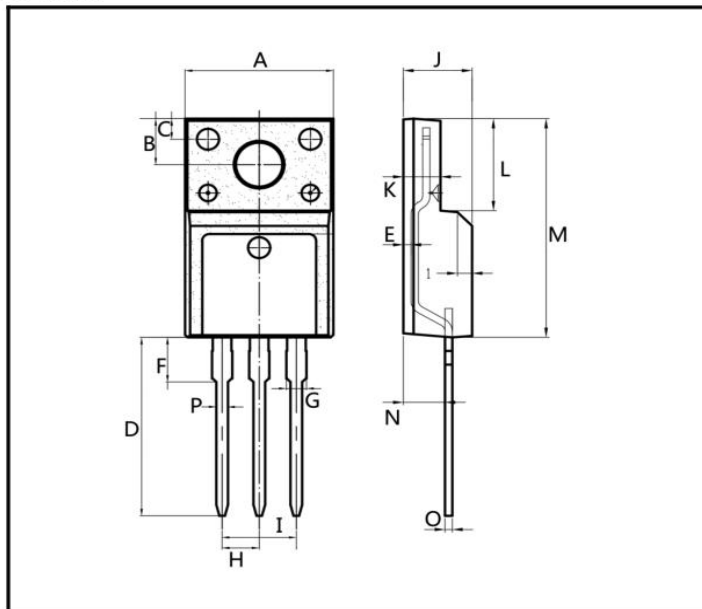
## Package Outline Dimensions millimeters

### TO-220AB



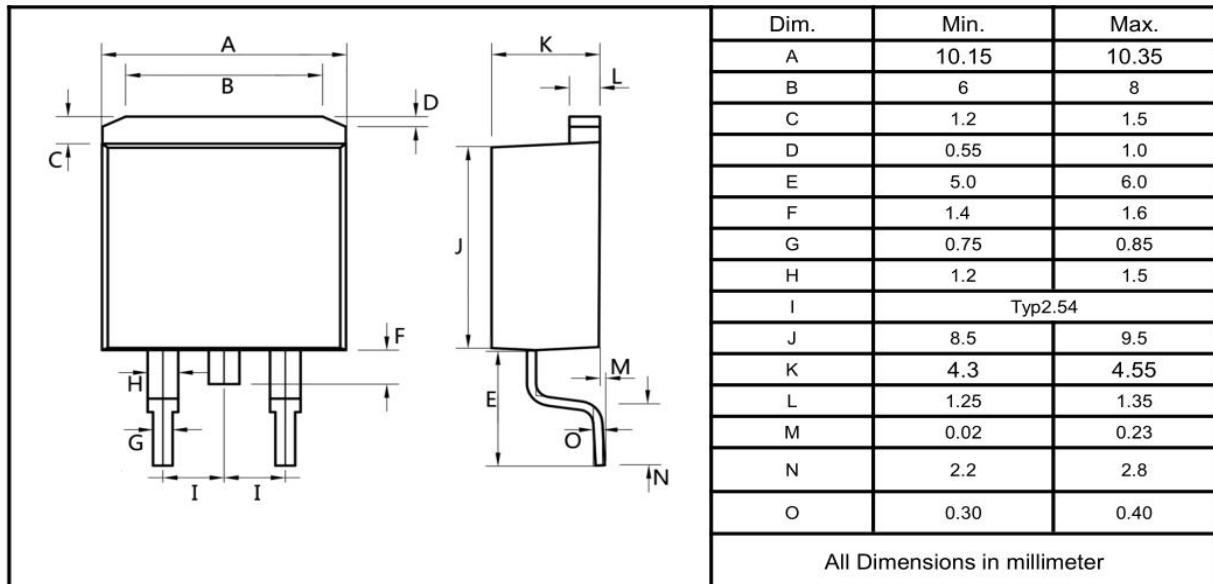
Dim.	Min.	Max.
A	10.15	10.35
B	2.50	2.95
C	3.70	3.90
D	28.5	29.5
E	1.20	1.40
F	6.20	6.55
G	2.4	2.6
H	15.0	16.0
I	0.35	0.42
J	4.3	4.55
K	1.25	1.35
L	Typ5.08	
M	Typ2.54	
N	2.8	3.5
O	0.70	0.90
All Dimensions in millimeter		

### TO-220F

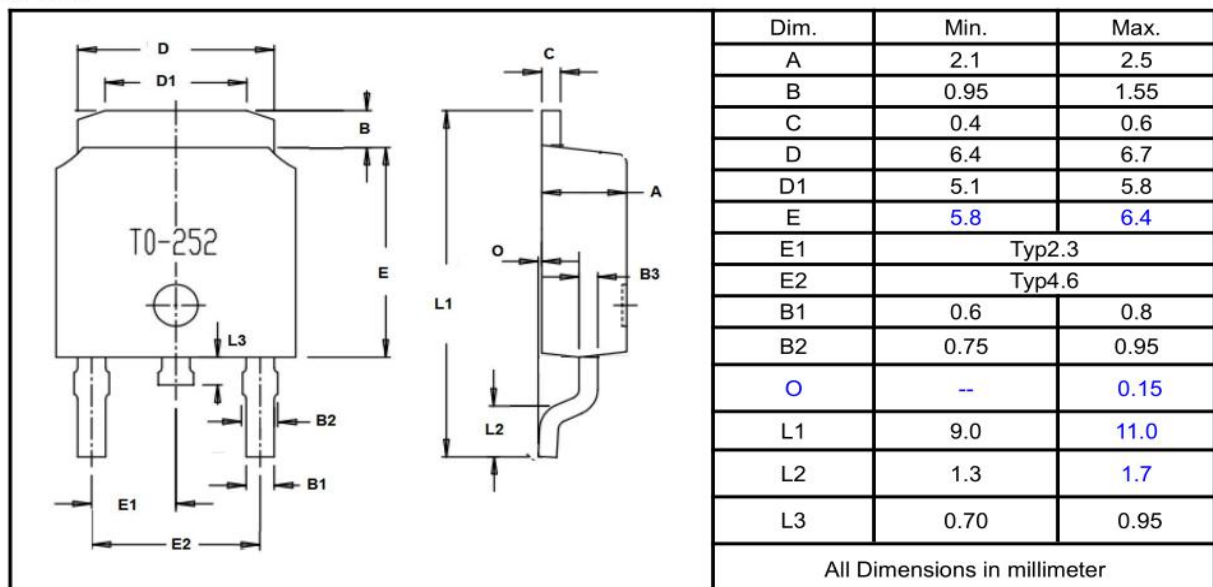


Dim.	Min.	Max.
A	9.95	10.25
B	2.95	3.25
C	1.25	1.45
D	12.80	13.20
E	0.40	0.60
F	2.8	3.5
G	1.30	1.45
H	Typ 2.54	
I	Typ 5.08	
J	4.60	4.75
K	2.45	2.65
L	6.5	6.8
M	15.4	16.0
N	2.75	3.05
O	0.45	0.55
P	0.70	0.90
All Dimensions in millimeter		

## TO-263



## TO-252



## X-ON Electronics

Largest Supplier of Electrical and Electronic Components

*Click to view similar products for [Schottky Diodes & Rectifiers](#) category:*

*Click to view products by [SLKORMICRO](#) manufacturer:*

Other Similar products are found below :

[MA4E2039](#) [MA4E2508M-1112](#) [MBR1545CT](#) [MMBD301M3T5G](#) [RB160M-50TR](#) [D83C](#) [BAS16E6433HTMA1](#) [BAT 54-02LRH E6327](#)  
[NRVBAF360T3G](#) [NSR05F40QNXT5G](#) [NTE555](#) [JANS1N6640](#) [SK310-T](#) [SS3003CH-TL-E](#) [GA01SHT18](#) [CRS10I30A\(TE85L,QM](#)  
[MA4E2501L-1290](#) [MBRA140TRPBF](#) [MBRB30H30CT-1G](#) [BAT 15-04R E6152](#) [JANTX1N5712-1](#) [DMJ3940-000](#) [SB007-03C-TB-E](#)  
[SK33B-TP](#) [NRVBB20100CTT4G](#) [NRVBM120LT1G](#) [NTSB30U100CT-1G](#) [VS-6CWQ10FNHM3](#) [CRG04\(T5L,TEMQ\)](#) [ACDBA1100LR-HF](#)  
[ACDBA1200-HF](#) [ACDBA240-HF](#) [ACDBA3100-HF](#) [CDBQC0530L-HF](#) [CDBQC0240LR-HF](#) [ACDBA260LR-HF](#) [ACDBA1100-HF](#)  
[MA4E2502L-1246](#) [10BQ015-M3/5BT](#) [NRVBM120ET1G](#) [CRS08TE85LQM](#) [PMAD1108-LF](#) [B120Q-13-F](#) [1N5819T-G](#) [B0530WSQ-7-F](#)  
[PDS1040Q-13](#) [B160BQ-13-F](#) [SDM05U20CSP-7](#) [B140S1F-7](#) [HSM560Je3/TR13](#)