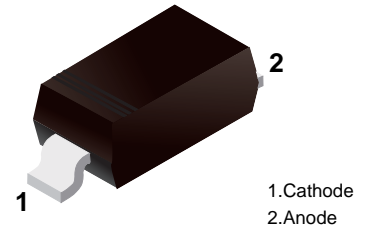


Silicon Planar Zener Diodes

■ Features

- Total power dissipation: Max. 500mW.
- Wide zener reverse voltage range 2.4V to 39V.
- Small plastic package suitable for surface mounted design.
- Tolerance approximately $\pm 5\%$



Simplified outline(SOD-123)

■ Absolute Maximum Ratings And Characteristics Ta = 25°C

| Parameter | Symbol | Value | Unit |
|---|-----------------|------------|------|
| Power Dissipation | P_{tot} | 500 | mW |
| Typical thermal resistance junction to ambient ⁽¹⁾ | $R_{\theta JA}$ | 340 | °C/W |
| Operating and Storage Temperature Range | T_j, T_{stg} | -55 ~ +150 | °C |

(1) Thermal resistance from junction to ambient at P.C.B. mounted with 2.0" X 2.0" (5 X 5 cm) copper areas pads.

Fig.1 Maximum Continuous Power Derating

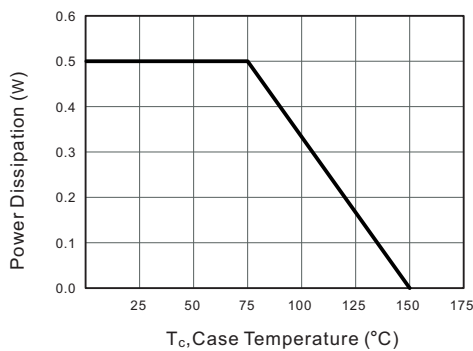
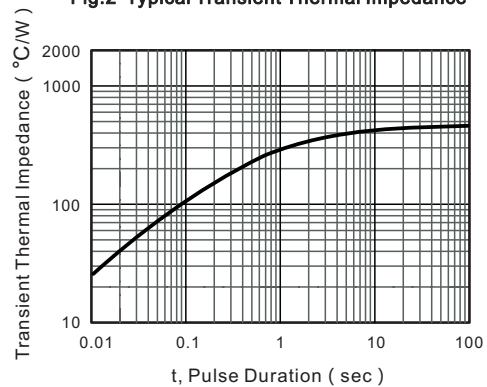


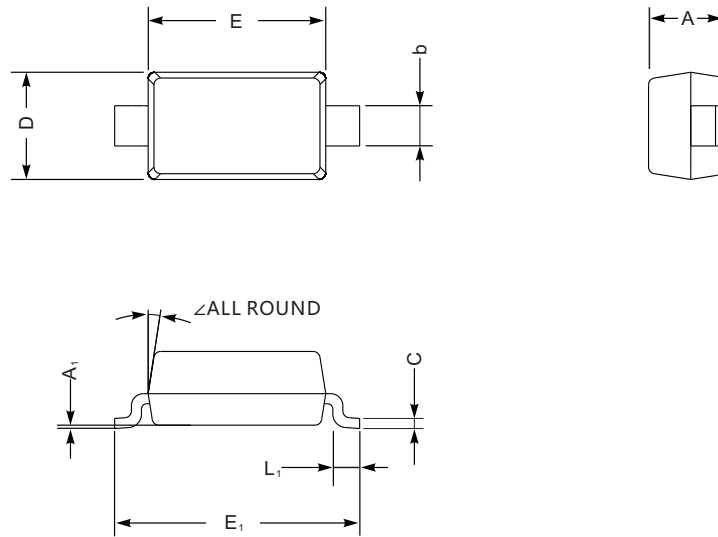
Fig.2 Typical Transient Thermal Impedance



| Type | Mark | Zener Voltage Range ⁽¹⁾ | | | Dynamic Impedance | | | | Reverse Current | |
|-----------|------|------------------------------------|-----------|-----------|-------------------|--------------------------|----------|--------------------------|-----------------|----------|
| | | V_{ZT} (at I_{ZT}) | | | I_{ZT} | Z_{ZT} (at I_{ZT}) | I_{ZK} | Z_{ZK} (at I_{ZK}) | I_R | at V_R |
| | | Min (V) | Nom (V) | Max (V) | (mA) | Max (Ω) | (mA) | Max (Ω) | Max (nA) | (V) |
| MMSZ5221B | C1 | 2.28 | 2.4 | 2.52 | 20 | 30 | 0.25 | 1200 | 100 | 1 |
| MMSZ5222B | C2 | 2.38 | 2.5 | 2.63 | 20 | 30 | 0.25 | 1250 | 100 | 1 |
| MMSZ5223B | C3 | 2.57 | 2.7 | 2.84 | 20 | 30 | 0.25 | 1300 | 75 | 1 |
| MMSZ5225B | C5 | 2.85 | 3 | 3.15 | 20 | 30 | 0.25 | 1600 | 50 | 1 |
| MMSZ5226B | D1 | 3.14 | 3.3 | 3.47 | 20 | 28 | 0.25 | 1600 | 25 | 1 |
| MMSZ5227B | D2 | 3.42 | 3.6 | 3.78 | 20 | 24 | 0.25 | 1700 | 15 | 1 |
| MMSZ5228B | D3 | 3.71 | 3.9 | 4.1 | 20 | 23 | 0.25 | 1900 | 10 | 1 |
| MMSZ5229B | D4 | 4.09 | 4.3 | 4.52 | 20 | 22 | 0.25 | 2000 | 5 | 1 |
| MMSZ5230B | D5 | 4.47 | 4.7 | 4.94 | 20 | 19 | 0.25 | 1900 | 5 | 2 |
| MMSZ5231B | E1 | 4.85 | 5.1 | 5.36 | 20 | 17 | 0.25 | 1600 | 5 | 2 |
| MMSZ5232B | E2 | 5.32 | 5.6 | 5.88 | 20 | 11 | 0.25 | 1600 | 5 | 3 |
| MMSZ5234B | E4 | 5.89 | 6.2 | 6.51 | 20 | 7 | 0.25 | 1000 | 5 | 4 |
| MMSZ5235B | E5 | 6.46 | 6.8 | 7.14 | 20 | 5 | 0.25 | 750 | 3 | 5 |
| MMSZ5236B | F1 | 7.13 | 7.5 | 7.88 | 20 | 6 | 0.25 | 500 | 3 | 6 |
| MMSZ5237B | F2 | 7.79 | 8.2 | 8.61 | 20 | 8 | 0.25 | 500 | 3 | 6 |
| MMSZ5239B | F4 | 8.65 | 9.1 | 9.56 | 20 | 10 | 0.25 | 600 | 3 | 6.5 |
| MMSZ5240B | F5 | 9.5 | 10 | 10.5 | 20 | 17 | 0.25 | 600 | 3 | 8 |
| MMSZ5241B | H1 | 10.45 | 11 | 11.55 | 20 | 22 | 0.25 | 600 | 3 | 8.4 |
| MMSZ5242B | H2 | 11.4 | 12 | 12.6 | 20 | 30 | 0.25 | 600 | 2 | 9.1 |
| MMSZ5243B | H3 | 12.35 | 13 | 13.65 | 9.5 | 13 | 0.25 | 600 | 1 | 9.9 |
| MMSZ5245B | H5 | 14.25 | 15 | 15.75 | 8.5 | 16 | 0.25 | 600 | 0.5 | 11 |
| MMSZ5246B | J1 | 15.2 | 16 | 16.8 | 7.8 | 17 | 0.25 | 600 | 0.1 | 12 |
| MMSZ5248B | J3 | 17.1 | 18 | 18.9 | 7 | 21 | 0.25 | 600 | 0.1 | 14 |
| MMSZ5250B | J5 | 19 | 20 | 21 | 6.2 | 25 | 0.25 | 600 | 0.1 | 15 |
| MMSZ5251B | K1 | 20.9 | 22 | 23.1 | 5.6 | 29 | 0.25 | 600 | 0.1 | 17 |
| MMSZ5252B | K2 | 22.8 | 24 | 25.2 | 5.2 | 33 | 0.25 | 600 | 0.1 | 18 |
| MMSZ5254B | K4 | 25.65 | 27 | 28.35 | 5 | 41 | 0.25 | 600 | 0.1 | 21 |
| MMSZ5255B | K5 | 26.6 | 28 | 29.4 | 4.5 | 44 | 0.25 | 600 | 0.1 | 21 |
| MMSZ5256B | M1 | 28.5 | 30 | 31.5 | 4.2 | 49 | 0.25 | 600 | 0.1 | 23 |
| MMSZ5257B | M2 | 31.35 | 33 | 34.65 | 3.8 | 58 | 0.25 | 700 | 0.1 | 25 |
| MMSZ5258B | M3 | 34.2 | 36 | 37.8 | 3.4 | 70 | 0.25 | 700 | 0.1 | 27 |
| MMSZ5259B | M4 | 37.05 | 39 | 40.95 | 3.2 | 80 | 0.25 | 800 | 0.1 | 30 |

(1) V_{ZT} is tested with pulses (20 ms)

■ SOD-123



SOD-123 mechanical data

| UNIT | | A | C | D | E | E ₁ | L ₁ | b | A ₁ | ∠ |
|------|-----|-----|------|-----|-----|----------------|----------------|-----|----------------|----|
| mm | max | 1.3 | 0.22 | 1.8 | 2.8 | 3.9 | 0.45 | 0.7 | 0.2 | 9° |
| | min | 0.9 | 0.09 | 1.5 | 2.5 | 3.6 | 0.25 | 0.5 | — | |
| mil | max | 51 | 8.7 | 71 | 110 | 154 | 18 | 28 | 8 | |
| | min | 35 | 3.5 | 59 | 98 | 142 | 10 | 20 | — | |

X-ON Electronics

Largest Supplier of Electrical and Electronic Components

Click to view similar products for [Zener Diodes](#) category:

Click to view products by [SLKORMICRO](#) manufacturer:

Other Similar products are found below :

[MMSZ5245BS-7-F](#) [RKZ13B2KG#P1](#) [RKZ5.6B2KJ#R1](#) [EDZTE6113B](#) [EDZTE6116B](#) [EDZTE616.8B](#) [1N747A](#) [1N966B](#) [NTE5116A](#)
[NTE5121A](#) [NTE5139A](#) [NTE5147A](#) [NTE5152A](#) [NTE5155A](#) [NTE5156A](#) [NTE5164A](#) [JANS1N4974US](#) [SMAJ4764A-TP](#) [RKZ5.1BKU#P6](#)
[3SMAJ5946B-TP](#) [3SMAJ5950B-TP](#) [3SMBJ5920B-TP](#) [3SMBJ5925B-TP](#) [TDZTR24](#) [441774C](#) [MMSZ4678-TP](#) [MMSZ5232BQ-13-F](#)
[BZG04-36](#) [BZG05C9V1-HE3-TR](#) [HZM30NBTR-E](#) [UDZTE-175.1B](#) [3SMAJ5945B-TP](#) [3SMAJ5947B-TP](#) [3SMBJ5941B-TP](#) [DL4746A-TP](#)
[RKZ18B2KK#R1](#) [RKZ10B2KL#R1](#) [RKZ6.8B2KL#R1](#) [RKZ8.2B2KL#R1](#) [DZ2S240M0L](#) [SMAZ27-TP](#) [SMBZ5920B-E3/52](#) [ZMM3.0](#)
[RD16UM-T1-A](#) [RD39S-T1-A](#) [RD9.1S-T1-A](#) [RD10S-T1-A](#) [RD20S-T1-A](#) [RD2.2S-T1-A](#) [RD2.7UM-T1-A](#)