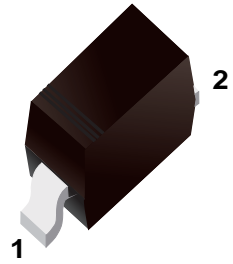


■ Schottky barrier diode

■ Features

- Small surface mounting type.(UMD2)
- Low V_F . ($V_F = 0.43V$ Typ.at 100mA)
- High reliability.



■ Simplified outline(SOD-323)

■ Absolute Maximum Ratings $T_a = 25^\circ C$

| Characteristic | Symbol | Limits | Unit |
|-----------------------------|-----------|-------------|------------|
| Peak reverse voltage | V_{RM} | 45 | V |
| DC reverse Volatge | V_R | 40 | V |
| Mean rectifying current | I_o | 0.1 | A |
| Peak forwrad surge current* | I_{FSM} | 1 | A |
| Junction temperature | T_j | 125 | $^\circ C$ |
| Storage temperature | T_{stg} | -40 to +125 | $^\circ C$ |

*60Hz for 1

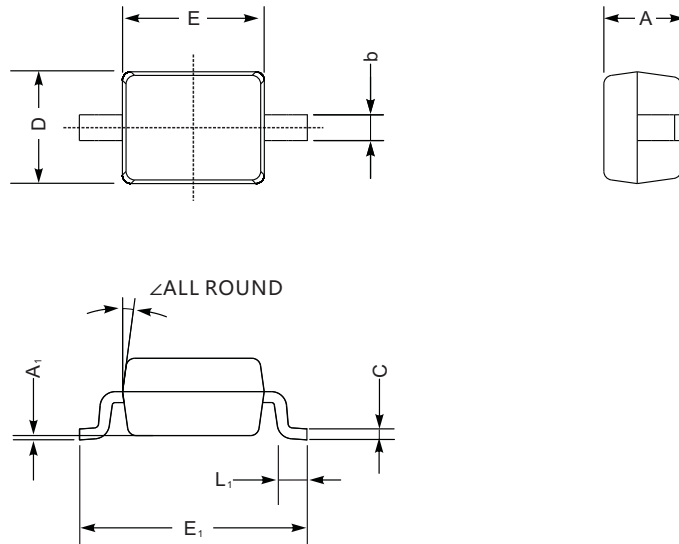
■ Electrical Characteristics $T_a = 25^\circ C$

| Characteristic | Symbol | Condition | Min | Typ | Max | Unit |
|-------------------------------|----------|---------------------------------------|-----|-----|------|---------|
| Forward Voltage | V_{F1} | $I_F = 100\text{ mA}$ | | | 0.55 | V |
| Forward Voltage | V_{F2} | $I_F = 10\text{ mA}$ | | | 0.34 | V |
| Reverse current | I_R | $V_R = 10\text{ V}$ | | | 30 | μA |
| Capacitance between terminals | C_T | $V_R = 10\text{ V}, f = 1\text{ MHz}$ | | 6.0 | | pF |

■ Marking

| | |
|---------|---|
| Marking | 4 |
|---------|---|

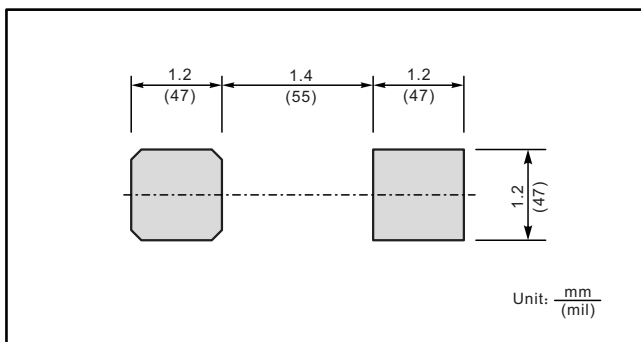
■ SOD-323



SOD-323 mechanical data

| UNIT | | A | C | D | E | E ₁ | b | L ₁ | A ₁ | \angle |
|------|-----|-----|------|-----|-----|----------------|------|----------------|----------------|----------|
| mm | max | 1.1 | 0.15 | 1.4 | 1.8 | 2.75 | 0.4 | 0.45 | 0.2 | 9° |
| | min | 0.8 | 0.08 | 1.2 | 1.4 | 2.55 | 0.25 | 0.2 | — | |
| mil | max | 43 | 5.9 | 55 | 70 | 108 | 16 | 16 | 8 | |
| | min | 32 | 3.1 | 47 | 63 | 100 | 9.8 | 7.9 | — | |

■ The recommended mounting pad size



X-ON Electronics

Largest Supplier of Electrical and Electronic Components

Click to view similar products for [Schottky Diodes & Rectifiers](#) category:

Click to view products by [SLKORMICRO](#) manufacturer:

Other Similar products are found below :

[MA4E2039](#) [MA4E2508M-1112](#) [MBR1545CT](#) [MMBD301M3T5G](#) [RB160M-50TR](#) [D83C](#) [BAS16E6433HTMA1](#) [BAT 54-02LRH E6327](#)
[NRVBAF360T3G](#) [NSR05F40QNXT5G](#) [NTE555](#) [JANS1N6640](#) [SK310-T](#) [SK34B-TP](#) [SS3003CH-TL-E](#) [GA01SHT18](#)
[CRS10I30A\(TE85L,QM](#) [MA4E2501L-1290](#) [MBRA140TRPBF](#) [MBRB30H30CT-1G](#) [BAT 15-04R E6152](#) [JANTX1N5712-1](#) [DMJ3940-000](#)
[SB007-03C-TB-E](#) [SK33B-TP](#) [NRVBB20100CTT4G](#) [NRVBM120LT1G](#) [NTSB30U100CT-1G](#) [VS-6CWQ10FNHM3](#) [CRG04\(T5L,TEMQ\)](#)
[ACDBA1100LR-HF](#) [ACDBA1200-HF](#) [ACDBA240-HF](#) [ACDBA3100-HF](#) [CDBQC0530L-HF](#) [CDBQC0240LR-HF](#) [ACDBA260LR-HF](#)
[ACDBA1100-HF](#) [MA4E2502L-1246](#) [10BQ015-M3/5BT](#) [NRVBM120ET1G](#) [CRS08TE85LQM](#) [PMAD1108-LF](#) [B120Q-13-F](#) [1N5819T-G](#)
[B0530WSQ-7-F](#) [PDS1040Q-13](#) [B160BQ-13-F](#) [SDM05U20CSP-7](#) [B140S1F-7](#)