

# PLANAR SCHOTTKY BARRIER DIODE

- ◇ Low current rectification
- ◇ Low forward voltage
- ◇ **SOD-923** Micro SMD package (Fig-1)  
Dimensions: 1.0 mm x 0.6 mm (0.039" x 0.024")
- ◇ RoHS compliant
- ◇ UL-94 V-0 / Green EMC
- ◇ Matte Tin Lead finish (Pb-Free)
- ◇ Moisture Level Sensitivity 1
- ◇ Cathode Band / Device marking:

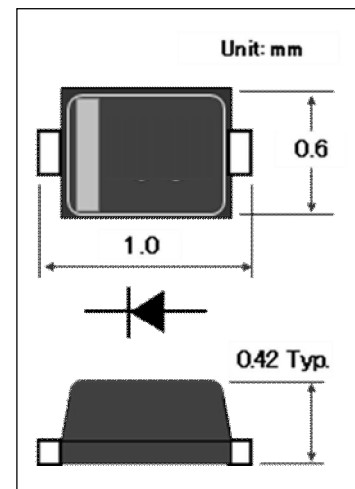


Fig -1 Package **SOD-923**

### Absolute Maximum Ratings (Ta = 25 °C)

| Symbol    | Parameter                              | Value       | Units |
|-----------|--|-------------|-------|
| $V_{RRM}$ | Repetitive Peak Reverse Voltage        | 30          | V     |
| $V_R$     | Reverse Voltage                        | 30          | V     |
| $I_O$     | Continuous Forward Current             | 100         | mA    |
| $I_{FSM}$ | Non-Repetitive Peak Forward Current *1 | 500         | mA    |
| $T_J$     | Junction Temperature                   | 125         | °C    |
| $T_{STG}$ | Storage Temperature                    | -55 to +125 | °C    |

\*1: 8.3ms Single Half Sine-Wave

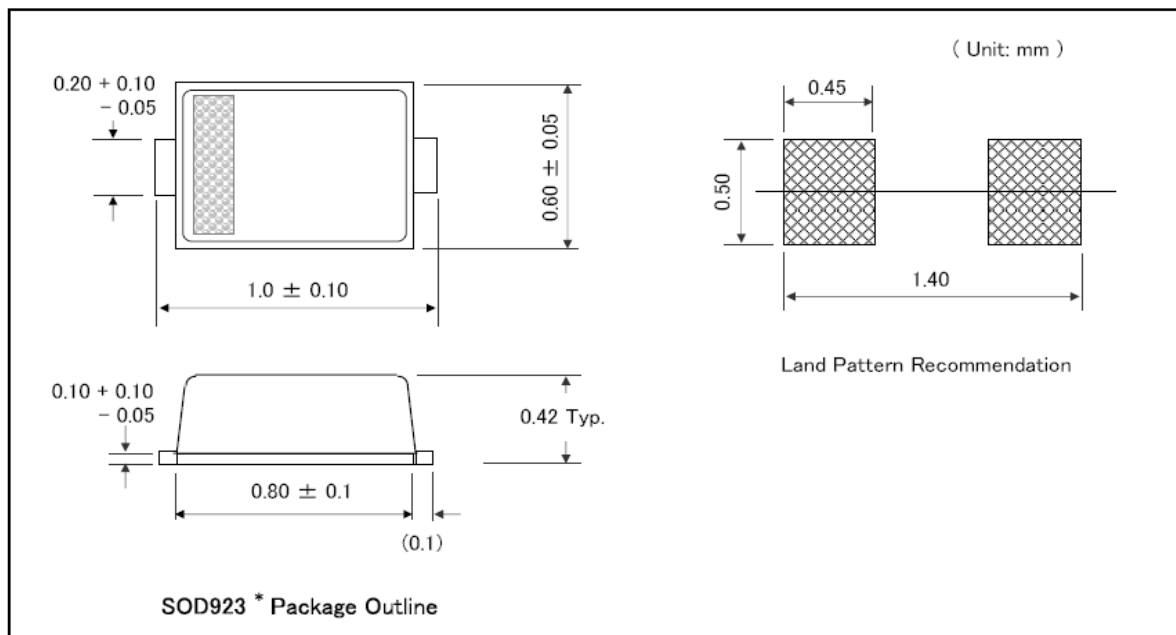
### Electrical Characteristics (Ta = 25 °C)

| Symbol | Parameter         | Conditions               | Min | TYP | Max  | Units         |
|--------|-------------------|--------------------------|-----|-----|------|---------------|
| $V_F$  | Forward Voltage   | $I_F = 10\text{mA}$      |     |     | 0.35 | V             |
|        |                   | $I_F = 100\text{mA}$     |     |     | 0.55 | V             |
| $BV_R$ | Breakdown Voltage | $I_R = 100\ \mu\text{A}$ | 30  |     |      | V             |
| $I_R$  | Reverse Current   | $V_R = 10\text{V}$       |     |     | 10   | $\mu\text{A}$ |
|        |                   | $V_R = 30\text{V}$       |     |     | 50   | $\mu\text{A}$ |

## Ordering Information

| Device     | Package | Tape wide | Embos pitch | Tape specification | Notes |
|------------|---------|-----------|-------------|--------------------|-------|
| RB521CS-30 | SOD-923 | 8 mm      | 2 mm        | Conductive         |       |

## Package Dimensions



## X-ON Electronics

Largest Supplier of Electrical and Electronic Components

*Click to view similar products for [Schottky Diodes & Rectifiers](#) category:*

*Click to view products by [SLKORMICRO](#) manufacturer:*

Other Similar products are found below :

[MA4E2039](#) [MA4E2508M-1112](#) [MBR0530L-TP](#) [MBR10100CT-BP](#) [MBR1545CT](#) [MMBD301M3T5G](#) [RB160M-50TR](#)  
[BAS16E6433HTMA1](#) [BAS 3010S-02LRH E6327](#) [BAT 54-02LRH E6327](#) [IDL02G65C5XUMA1](#) [NSR05F40QNXT5G](#) [NSVR05F40NXT5G](#)  
[NTE555](#) [JANS1N6640](#) [SB07-03C-TB-H](#) [SK310-T](#) [SK33A-TP](#) [SK34B-TP](#) [SS3003CH-TL-E](#) [PDS3100Q-7](#) [GA01SHT18](#)  
[CRS10I30A\(TE85L,QM](#) [MA4E2501L-1290](#) [MBRB30H30CT-1G](#) [JANTX1N5712-1](#) [SB007-03C-TB-E](#) [SK33B-TP](#) [SK35A-TP](#) [SK38B-LTP](#)  
[NTE505](#) [NTSB30U100CT-1G](#) [VS-6CWQ10FNHM3](#) [CRG04\(T5L,TEMQ\)](#) [ACDBA1100LR-HF](#) [ACDBA1200-HF](#) [ACDBA240-HF](#)  
[ACDBA3100-HF](#) [CDBQC0530L-HF](#) [ACDBA260LR-HF](#) [ACDBA1100-HF](#) [MA4E2502L-1246](#) [10BQ015-M3/5BT](#) [10BQ060-M3/5BT](#)  
[NRVB130LSFT1G](#) [CRS08TE85LQM](#) [PMAD1108-LF](#) [B120Q-13-F](#) [1N5819T-G](#) [B0530WSQ-7-F](#)