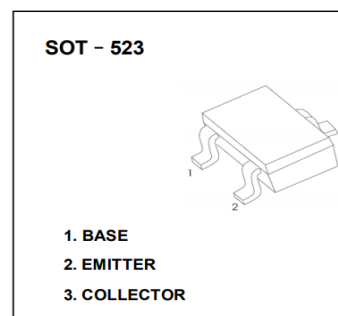


TRANSISTOR (PNP)
FEATURES

Complimentary to S8050T

Collector current: $I_C=0.5A$

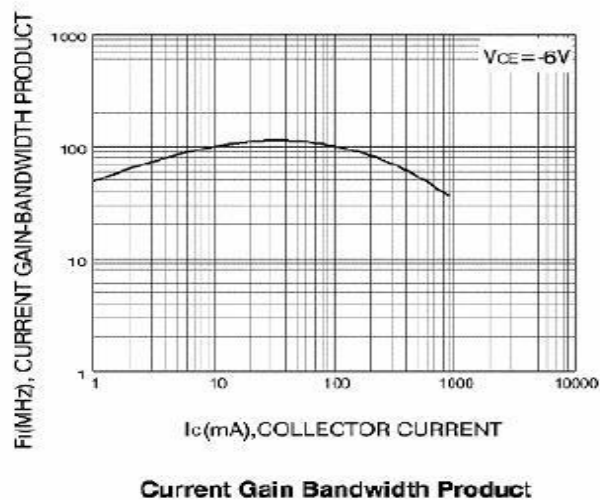
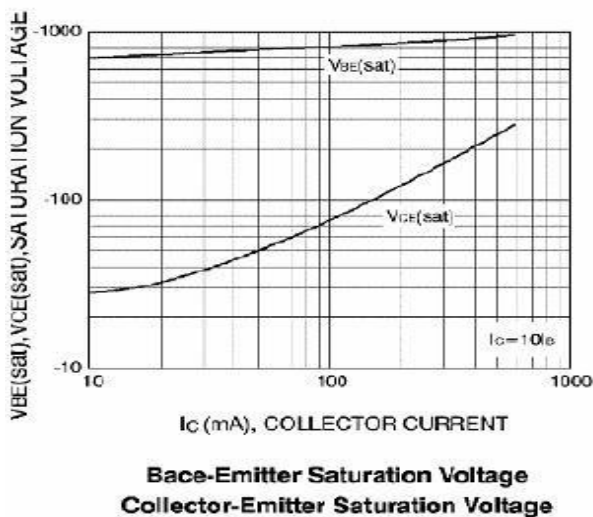
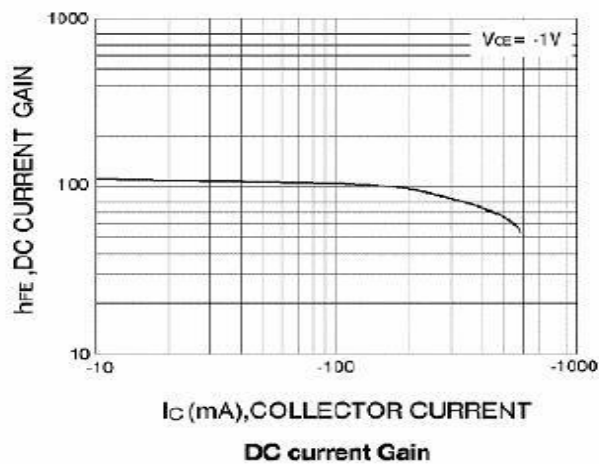
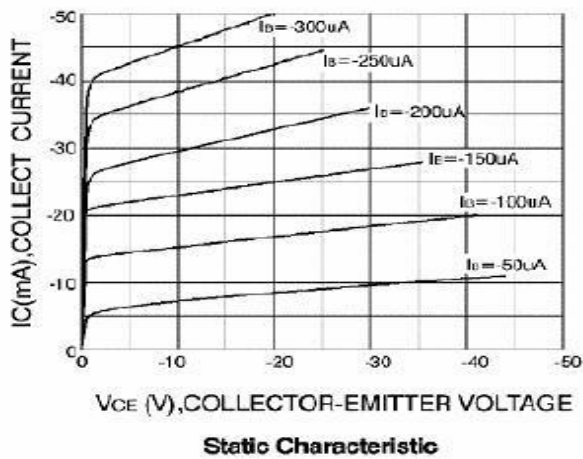
MARKING : 2TY


MAXIMUM RATINGS ($T_A=25^{\circ}C$ unless otherwise noted)

| Symbol | Parameter | Value | Units |
|-----------|-------------------------------|---------|-------------|
| V_{CBO} | Collector-Base Voltage | -40 | V |
| V_{CEO} | Collector-Emitter Voltage | -25 | V |
| V_{EBO} | Emitter-Base Voltage | -5 | V |
| I_C | Collector Current -Continuous | -0.5 | A |
| P_C | Collector Power Dissipation | 0.3 | W |
| T_j | Junction Temperature | 150 | $^{\circ}C$ |
| T_{stg} | Storage Temperature | -55-150 | $^{\circ}C$ |

ELECTRICAL CHARACTERISTICS ($T_{amb}=25^{\circ}C$ unless otherwise specified)

| Parameter | Symbol | Test conditions | MIN | MAX | UNIT |
|--------------------------------------|---------------|--|-----|------|---------|
| Collector-base breakdown voltage | $V_{(BR)CBO}$ | $I_C = -100\mu A, I_E=0$ | -40 | | V |
| Collector-emitter breakdown voltage | $V_{(BR)CEO}$ | $I_C = -1mA, I_B=0$ | -25 | | V |
| Emitter-base breakdown voltage | $V_{(BR)EBO}$ | $I_E = -100\mu A, I_C=0$ | -5 | | V |
| Collector cut-off current | I_{CBO} | $V_{CB} = -40V, I_E=0$ | | -0.1 | μA |
| Collector cut-off current | I_{CEO} | $V_{CE} = -20V, I_B=0$ | | -0.1 | μA |
| Emitter cut-off current | I_{EBO} | $V_{EB} = -3V, I_C=0$ | | -0.1 | μA |
| DC current gain | $h_{FE(1)}$ | $V_{CE} = -1V, I_C = -50mA$ | 200 | 350 | |
| | $h_{FE(2)}$ | $V_{CE} = -1V, I_C = -500mA$ | 50 | | |
| Collector-emitter saturation voltage | $V_{CE(Sat)}$ | $I_C = -500mA, I_B = -50mA$ | | -0.6 | V |
| Base-emitter saturation voltage | $V_{BE(Sat)}$ | $I_C = -500mA, I_B = -50mA$ | | -1.2 | V |
| Transition frequency | f_T | $V_{CE} = -6V, I_C = -20mA$ $f=30MHz$ | 150 | | MHz |



PACKAGE OUTLINE

Plastic surface mounted package; 3 leads

SOT-523

X-ON Electronics

Largest Supplier of Electrical and Electronic Components

Click to view similar products for [Bipolar Transistors - BJT category](#):

Click to view products by [SLKORMICRO manufacturer](#):

Other Similar products are found below :

[BC559C](#) [MCH4017-TL-H](#) [MMBT-2369-TR](#) [BC546/116](#) [NJVMJD148T4G](#) [NTE16](#) [NTE195A](#) [IMX9T110](#) [2N4401-A](#) [2N4403](#) [2N6728](#)
[2SA1419T-TD-H](#) [2SA2126-E](#) [2SB1204S-TL-E](#) [FMC5AT148](#) [2N2369ADCSM](#) [2N2907A](#) [2N3904-NS](#) [2N5769](#) [2SC4618TLN](#) [CPH6501-](#)
[TL-E](#) [MCH4021-TL-E](#) [Jantx2N5416](#) [US6T6TR](#) [BAX18/A52R](#) [BC556/112](#) [IMZ2AT108](#) [MMST8098T146](#) [UMX21NTR](#) [MCH6102-TL-E](#)
[TTA1452B,S4X\(S](#) [2N3879](#) [NTE13](#) [NTE282](#) [NTE323](#) [NTE350](#) [NTE81](#) [JANTX2N2920L](#) [JANTX2N3735](#) [JANSR2N2222AUB](#)
[CMLT3946EG TR](#) [SNSS40600CF8T1G](#) [CMLT3906EG TR](#) [GRP-DATA-JANS2N2907AUB](#) [GRP-DATA-JANS2N2222AUA](#)
[MMDT3946FL3-7](#) [2N4240](#) [JANS2N3019](#) [MSB30KH-13](#) [2N2221AUB](#)