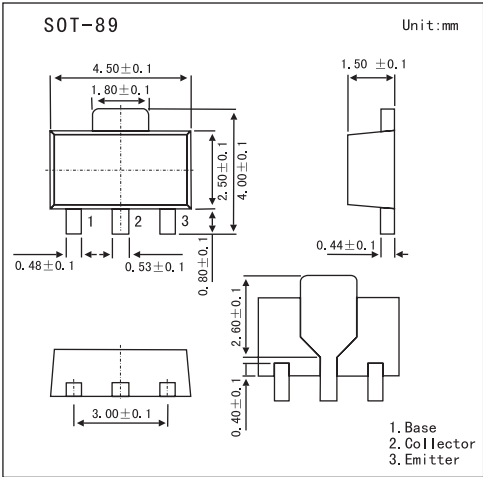
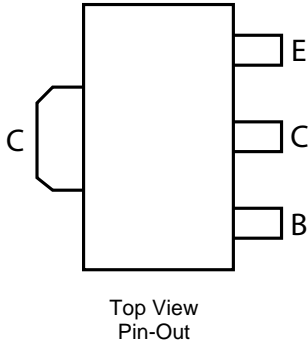
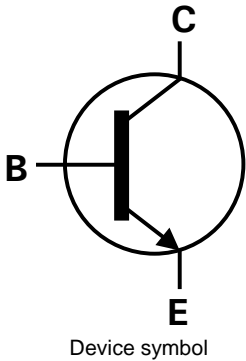


100V NPN SILICON PLANAR MEDIUM POWER TRANSISTOR

■ Features

- $BV_{CEO} > 100V$
- $I_C = 1A$ high Continuous Current
- Low saturation voltage $V_{CE(sat)} < 300mV @ 500mA$



■ Absolute Maximum Ratings $T_a = 25^\circ C$

Parameter	Symbol	Rating	Unit
Collector-Base Voltage	V_{CBO}	120	V
Collector-Emitter Voltage	V_{CEO}	100	V
Emitter-Base Voltage	V_{EBO}	5	V
Continuous Collector Current	I_C	1	mA
Peak Pulse Current	I_{CM}	2	A
Base Current	I_B	200	mA
Power Dissipation at $T_{amb}=25^\circ C$	P_{tot}	1	W
Operating and Storage Temperature Range	$T_j:T_{stg}$	-65 to 150	$^\circ C$

■ Electrical Characteristics Ta = 25°C

Parameter	Symbol	Testconditons	Min	Max	Unit
Breakdown Voltages	V _{(BR)CBO}	I _C =100μA	120		V
Breakdown Voltages	V _{CEO(sus)}	I _C =10mA*	100		V
Breakdown Voltages	V _{(BR)EBO}	I _E =100μA	5		V
Collector Cut-Off Currents	I _{CBO}	V _{CB} =100V		100	nA
	I _{CES}	V _{CES} =100V		100	nA
Emitter Cut-Off Current	I _{EBO}	V _{EB} =4V		100	nA
Collector-Emitter Saturation Voltage	V _{CE(sat)}	I _C =500mA, I _B =50mA		0.3	V
		I _C =1A, I _B =100mA		0.6	V
Base-Emitter Saturation Voltage	V _{BE(sat)}	I _C =1A, I _B =100mA		1.15	V
Base-Emitter Turn On Voltage	V _{BE(on)}	I _C =1A, V _{CE} =10V		1.0	V
Static Forward Current Transfer Ratio	h _{FE}	I _C =1mA, V _{CE} =10V*	100		
		I _C =250mA, V _{CE} =10V*	100	300	
		I _C =500mA, V _{CE} =10V*	60		
		I _C =1A, V _{CE} =10V*	20		
Transition Frequency	f _T	I _C =50mA, V _{CE} =10V, f=100MHz	150		MHz
Collector-Base Breakdown Voltage	C _{obo}	V _{CB} =10V, f=1MHz		10	pF

* Measured under pulsed conditions. Pulse width=300μs. Duty cycle ≤ 2%

X-ON Electronics

Largest Supplier of Electrical and Electronic Components

Click to view similar products for [Bipolar Transistors - BJT category](#):

Click to view products by [SLKORMICRO manufacturer](#):

Other Similar products are found below :

[BC559C](#) [MCH4017-TL-H](#) [MMBT-2369-TR](#) [BC546/116](#) [NJVMJD148T4G](#) [NTE16](#) [NTE195A](#) [IMX9T110](#) [2N4401-A](#) [2N4403](#) [2N6728](#)
[2SA1419T-TD-H](#) [2SA2126-E](#) [2SB1204S-TL-E](#) [FMC5AT148](#) [2N2369ADCSM](#) [2N2907A](#) [2N3904-NS](#) [2N5769](#) [2SC4618TLN](#) [CPH6501-](#)
[TL-E](#) [MCH4021-TL-E](#) [Jantx2N5416](#) [US6T6TR](#) [BAX18/A52R](#) [BC556/112](#) [IMZ2AT108](#) [MMST8098T146](#) [UMX21NTR](#) [MCH6102-TL-E](#)
[TTA1452B,S4X\(S](#) [2N3879](#) [NTE13](#) [NTE282](#) [NTE323](#) [NTE350](#) [NTE81](#) [JANTX2N2920L](#) [JANTX2N3735](#) [JANSR2N2222AUB](#)
[CMLT3946EG TR](#) [SNSS40600CF8T1G](#) [CMLT3906EG TR](#) [GRP-DATA-JANS2N2907AUB](#) [GRP-DATA-JANS2N2222AUA](#)
[MMDT3946FL3-7](#) [2N4240](#) [JANS2N3019](#) [MSB30KH-13](#) [2N2221AUB](#)