

Description

The SL54 Series is a high input voltage, low quiescent current, low-dropout linear regulator able to provide 300mA load current

The LDO features very fast response against line voltage transient and load current transient, and ensures no overshoot voltage during the LDO start up and short circuit recovery.

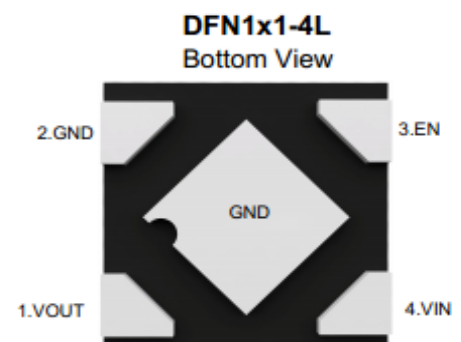
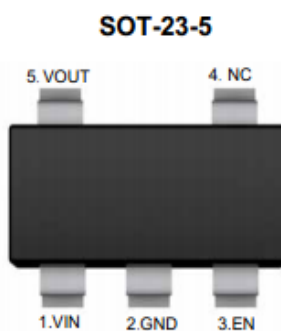
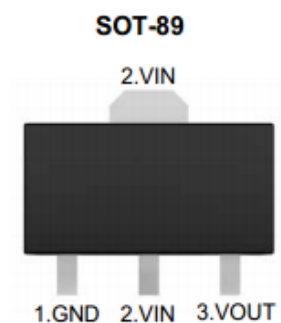
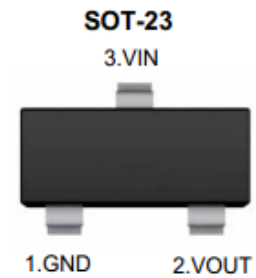
The device features integrated short-circuit and thermal shutdown protection.

Features

- Low Quiescent Current: 2.1uA
- High Input Voltage Rating: Up to 55V
- Maximum Output Current: 350mA
- Low Dropout : 350mV @ 100mA
- High PSRR: 85dB at 1KHz
- Fixed Output Voltages: 1.8V, 2.8V, 3V, 3.3V, 5V
- Fast Transient Response
- Current Limiting Protection
- Thermal Shutdown Protection
- Available Packages: SOT-23, SOT-23-3, SOT-89, SOT-23-5 and DFN1x1-4L Packages

Applications

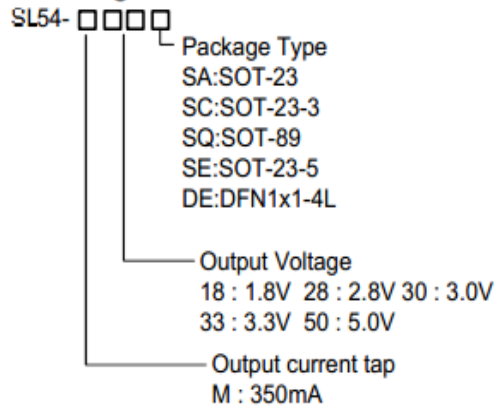
- Battery-Powered Equipment
- Smoke Detector and Sensor
- Micro Controller Applications



Functional Pin Description

| Pin Name | Pin Function |
|----------|---|
| EN | Chip Enable (Active High). Note that this pin is high impedance |
| NC | NO Connected |
| GND | Ground |
| VOUT | Output Voltage |
| VIN | Power Input Voltage |

Ordering Information

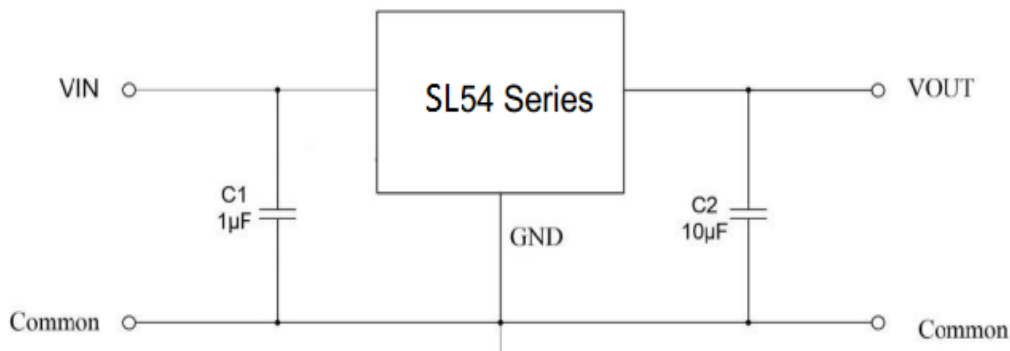


Marking Code Note

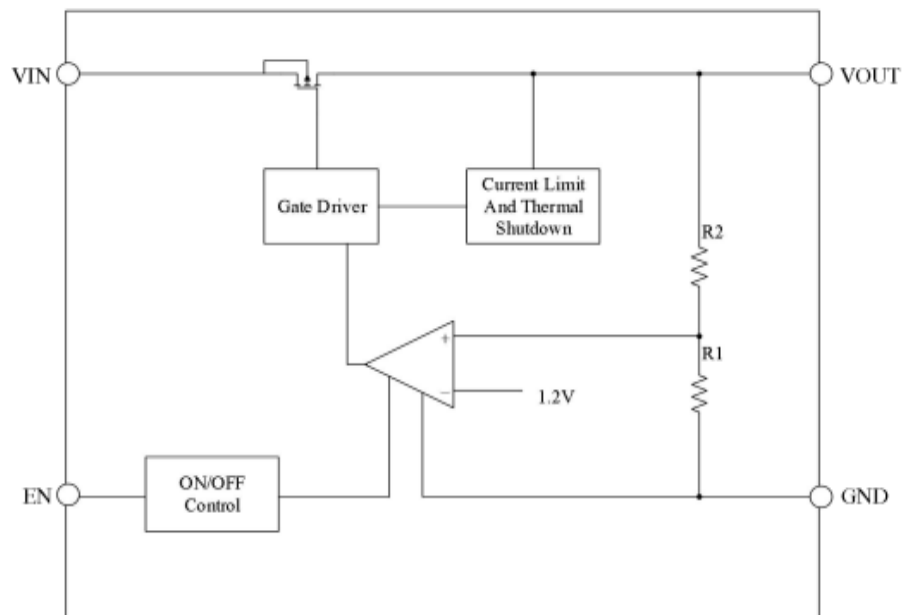
| Output Voltage | Package | Marking Code |
|----------------|-----------|--------------|
| 1.8V~5V | SOT-23 | 54XX |
| 1.8V~5V | SOT-23-3 | 54XXC |
| 1.8V~5V | SOT-23-5 | 54XXE |
| 1.8V~5V | SOT-89 | 54XX |
| 1.8V~5V | DFN1x1-4L | 54XX |

Note . XX : Output Voltage e.g . 30:3.0V 33:3.3V

Typical Application Circuit



Function Block Diagram



Absolute Maximum Ratings

Ratings at 25°C ambient temperature unless otherwise specified.

| Parameter | Value | Unit |
|---|--------------------|----------|
| VIN to GND Voltage | -0.3 ~ +55 | V |
| VOUT to GND Voltage | -0.3 ~ +6 | V |
| VOUT to VIN Voltage | -55 ~ +0.3 | V |
| EN to GND Voltage | -0.3 ~ +55 | V |
| Output Current | Internally limited | -- |
| Power Dissipation | SOT-23 | 300 mW |
| | SOT-23-3 | 400 mW |
| | SOT-89 | 600 mW |
| | SOT-23-5 | 400 mW |
| | DFN1x1-4L | 400 mW |
| Thermal Resistance, Junction-to-Ambient | SOT-23 | 380 °C/W |
| | SOT-23-3 | 300 °C/W |
| | SOT-89 | 180 °C/W |
| | SOT-23-5 | 300 °C/W |
| | DFN1x1-4L | 300 °C/W |
| Operating Ambient Temperature | -40 ~ +85 | °C |
| Junction temperature | 150 | °C |
| Storage temperature range | -40 ~ +150 | °C |

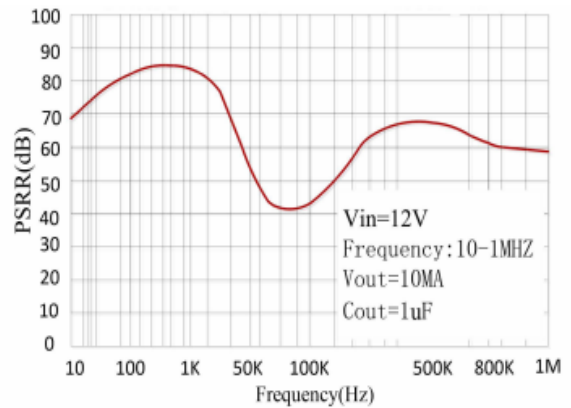
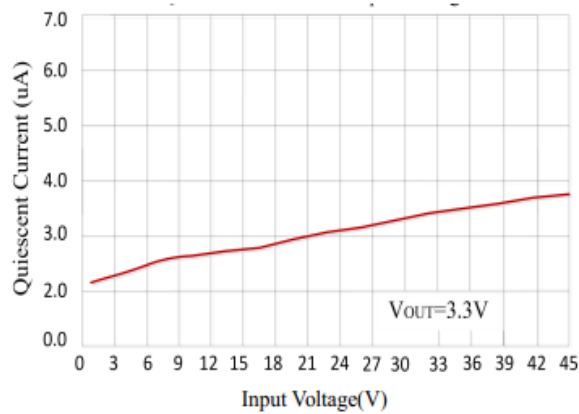
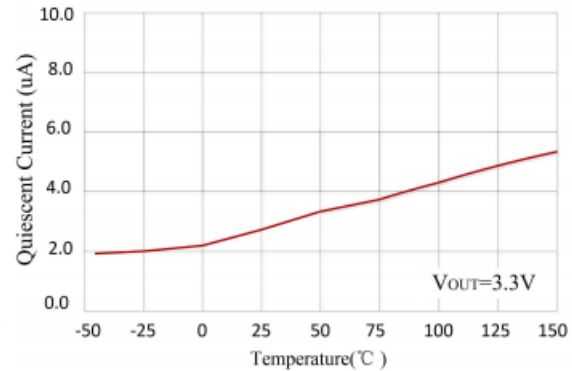
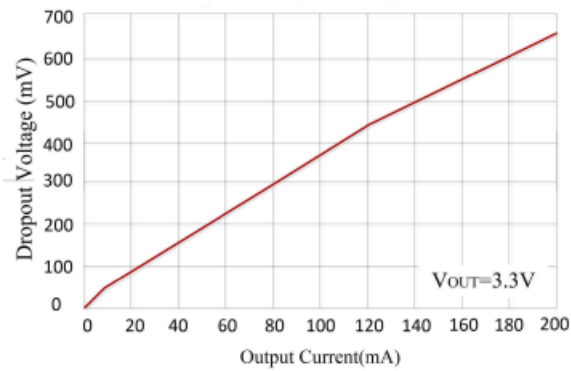
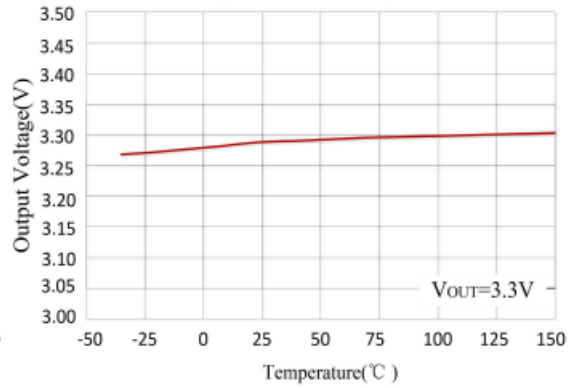
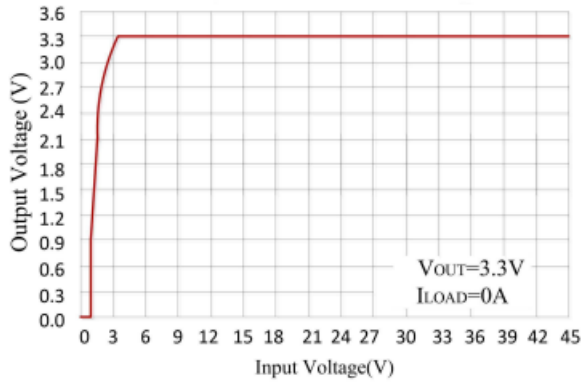
Electrical Characteristics

($V_{IN}=V_{OUT}+1$, $C_{IN}=1\mu F$, $C_{OUT}=10\mu F$, $T_A=25^\circ C$, unless otherwise noted.)

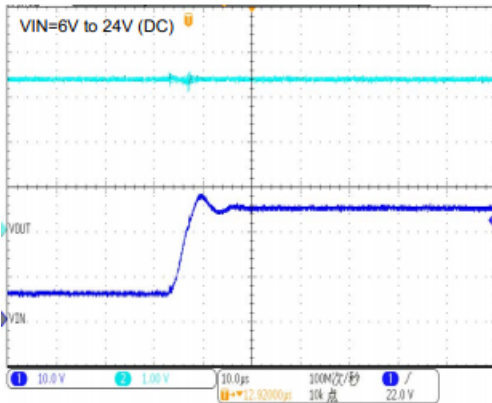
| Parameter | Symbol | Test Conditions | Min. | Typ. | Max. | Unit |
|------------------------------|-------------------|--|------|------|------|---------------|
| Input Voltage | V_{IN} | | 3 | -- | 45 | V |
| Output Voltage Accuracy | ΔV_{OUT} | $V_{IN}=12V$, $I_{OUT}=10mA$ | -2 | -- | +2 | % |
| Quiescent Current | I_Q | $V_{IN}=12V$, $I_{OUT}=0mA$ | -- | 2.1 | -- | μA |
| Maximum Output Current | I_{OUT_Max} | | 300 | 350 | -- | mA |
| Dropout Voltage | V_{DROP} | $V_{IN}=V_{OUTNOM}-0.1V$, $I_{OUT}=10mA$ | -- | 35 | -- | mV |
| | | $V_{IN}=V_{OUTNOM}-0.1V$, $I_{OUT}=100mA$ | -- | 350 | -- | |
| Line Regulation | ΔV_{LINE} | $V_{OUTNOM}+0.5V \leq V_{IN} \leq 40V$ $I_{OUT}=1mA$ | -- | 0.01 | -- | %/V |
| Load Regulation | ΔV_{LOAD} | $V_{IN}=12V$, $1mA < I_{OUT} < 100mA$ | -- | 0.02 | -- | %/mA |
| Current Limit | I_{LIM} | | -- | 500 | -- | mA |
| EN Input Threshold | Logic Low | V_{IL} | -- | -- | 0.4 | V |
| | Logic High | V_{IH} | 1 | -- | -- | V |
| Output Noise Voltage | V_N | 10Hz~100KHz, $C_{OUT}=1\mu F$ $V_{OUT}=3V$ | -- | 110 | -- | μV_{rms} |
| Power Supply Rejection Ratio | PSRR | $V_{IN}=12V$, $I_{OUT}=10mA$ $f=1KHz$, $V_{OUT}=3.3V$ | -- | 85 | -- | dB |
| Thermal Shutdown Temperature | T_{SHDN} | Shutdown, Temp increasing | -- | 150 | -- | $^\circ C$ |
| Thermal Reset Temperature | T_{SHDN} | Reset, Temp increasing | -- | 140 | -- | $^\circ C$ |

Typical Characteristic Curves

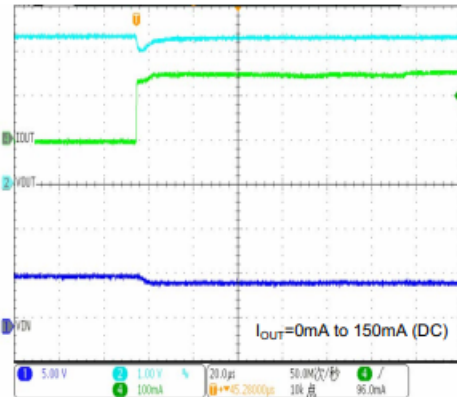
Test Condition: $T_A=25^{\circ}\text{C}$, $I_{\text{out}}=1\text{mA}$, $C_{\text{OUT}}=10\mu\text{F}$, unless otherwise noted



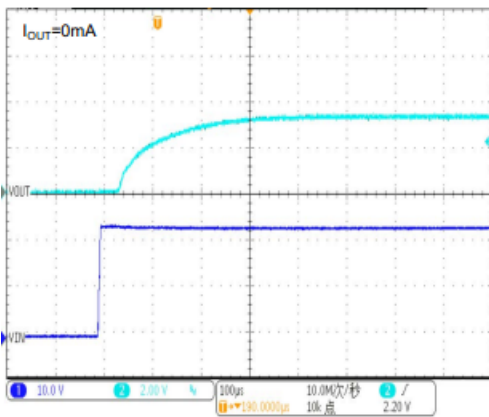
Line transient



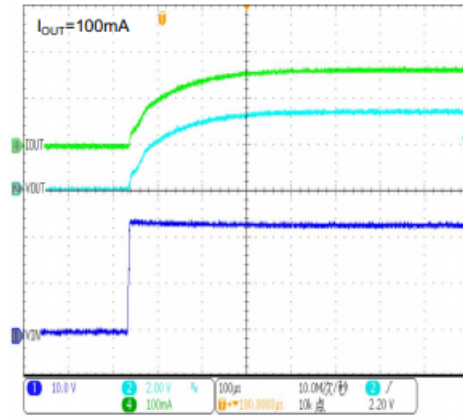
Load transient



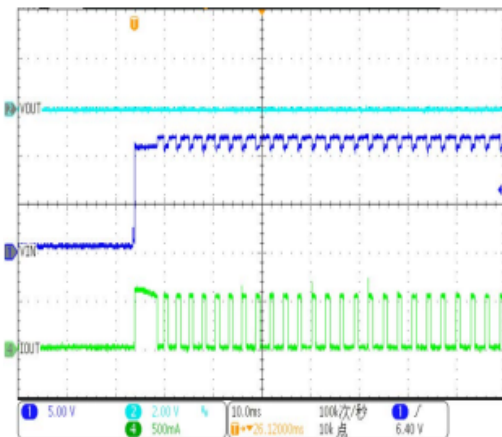
No-load start



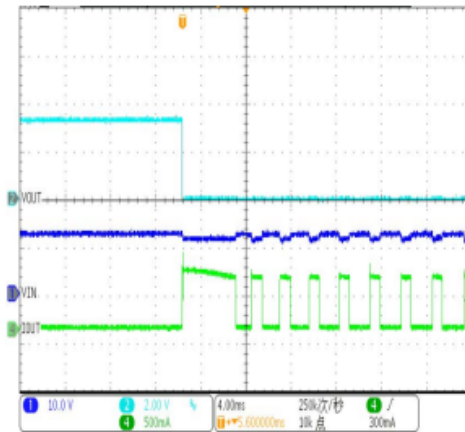
Start with load



Short-circuit Power-on



Power-on short



Functional Description

Input Capacitor

A 1 μ F ceramic capacitor is recommended to connect between VIN and GND pins to decouple input power supply glitch and noise. The amount of the capacitance may be increased without limit. This input capacitor must be located as close as possible to the device to assure input stability and less noise. For PCB layout, a wide copper trace is required for both VIN and GND.

Output Capacitor

An output capacitor is required for the stability of the LDO. The recommended minimum output capacitance is 1 μ F, ceramic capacitor is recommended, and temperature characteristics are X7R or X5R. Higher capacitance values help to improve load/line transient response. The output capacitance may be increased to keep low undershoot/overshoot. Place output capacitor as close as possible to VOUT and GND pins.

EN Pin Operation

The SL54 Series is turned on by setting the EN pin to "H". Since the EN pin is neither pulled down nor pulled up internally, do not set it in floating status. When the EN pin is not used, connect the EN pin with VIN to keep the LDO in operating mode.

Current Limit and Short Circuit Protection

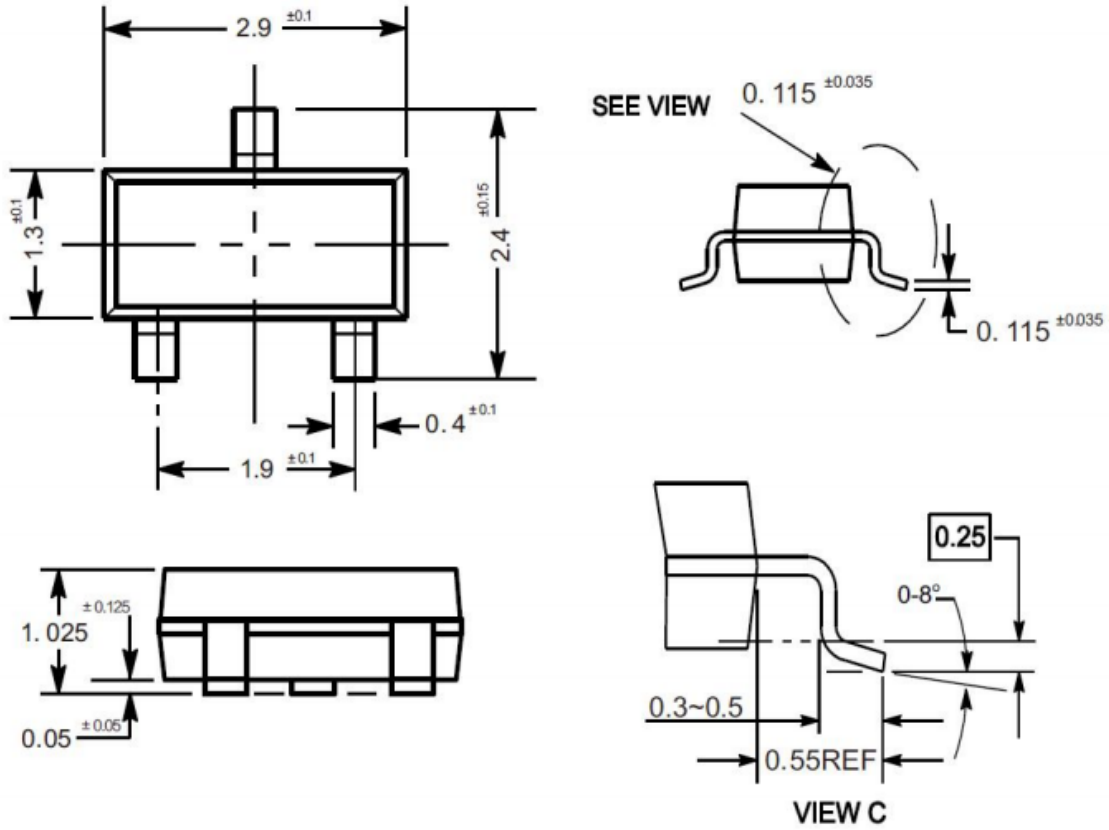
When output current at VOUT pin is higher than current limit threshold or the VOUT pin is direct short to GND, the current limit protection will be triggered and clamp the output current at a pre-designed level to prevent over-current and thermal damage.

Thermal Protection

The SL54 Series has internal thermal sense and protection circuits. When excessive power dissipation happens on the device, such as short circuit at the output pin or very heavy load current with a large voltage drop across the device, the internal thermal protection circuit will be triggered, and it will shut down the power MOSFET to prevent the LDO from damage. As soon as excessive thermal condition is removed and the temperature of the device drops down, the thermal protection circuit will lease the control of the power MOSFET, and the LDO device goes to normal operation.

Package Outline

SOT-23
 Dimensions in mm



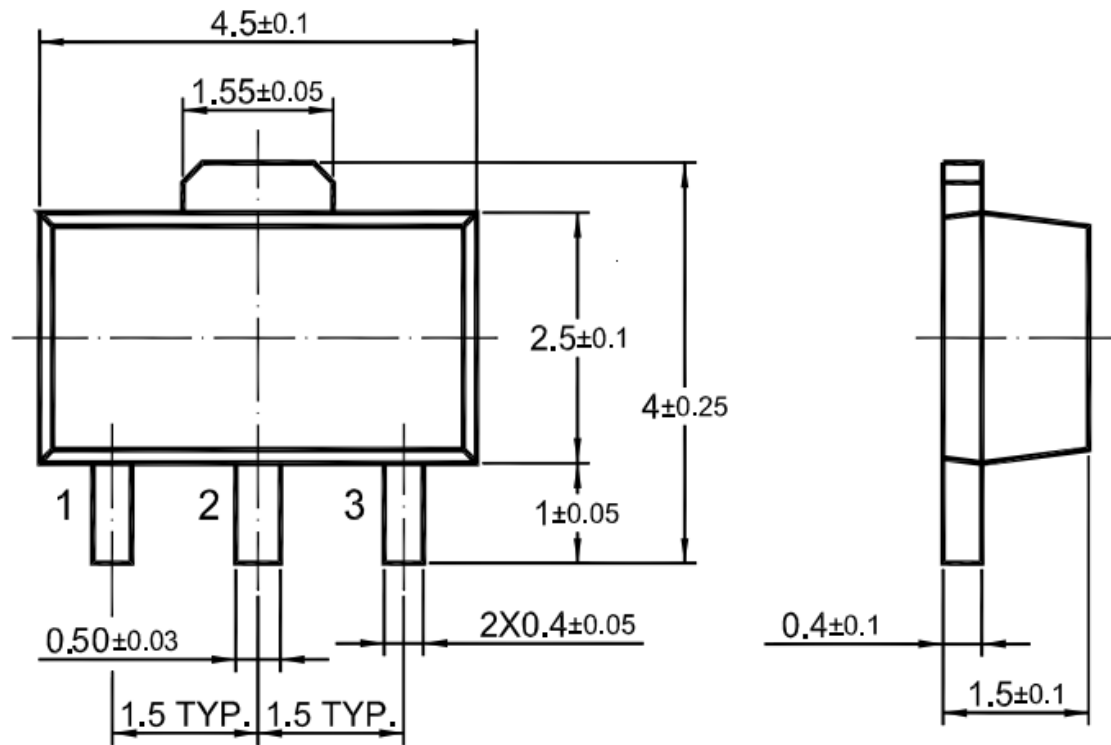
Ordering Information

| Device | Package | Shipping |
|-------------|---------|-----------------------|
| SL54 Series | SOT-23 | 3,000PCS/Reel&7inches |

Package Outline

SOT-89

Dimensions in mm



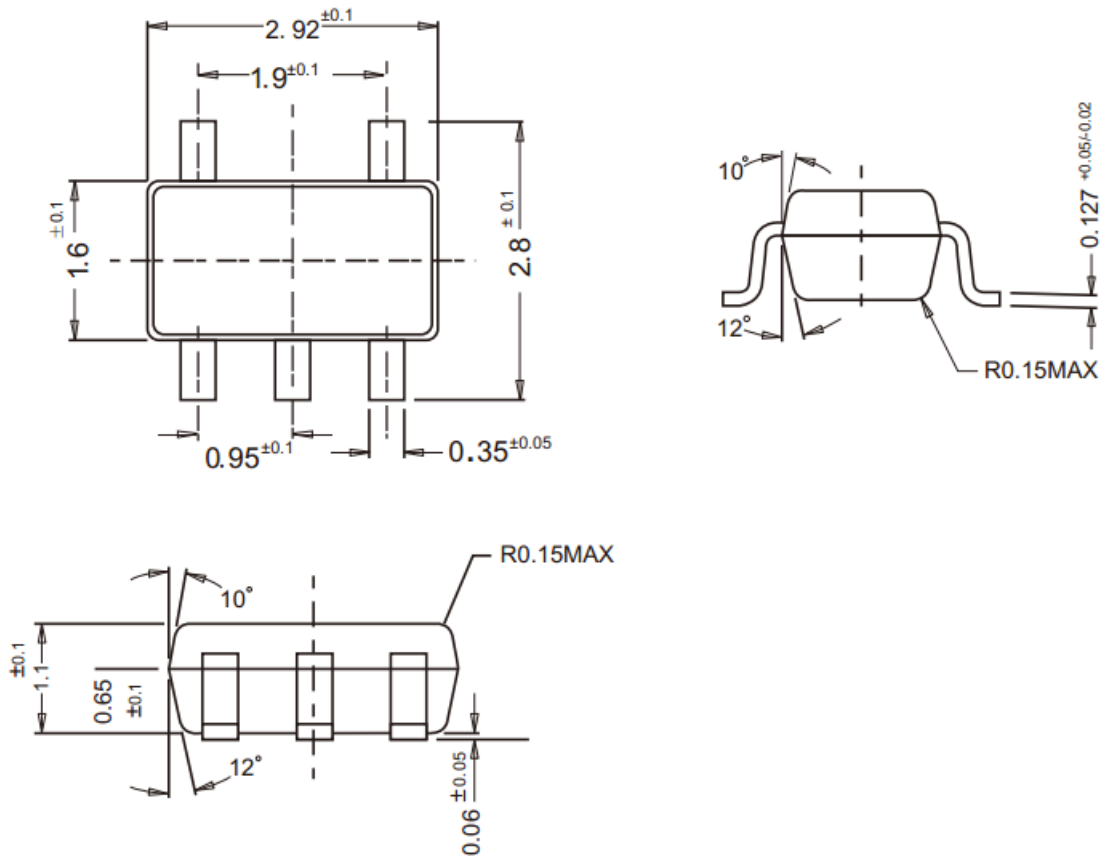
Ordering Information

| Device | Package | Shipping |
|-------------|---------|------------------------|
| SL54 Series | SOT-89 | 1,000PCS/Reel&7inches |
| | | 3,000PCS/Reel&13inches |

Package Outline

SOT-23-5

Dimensions in mm



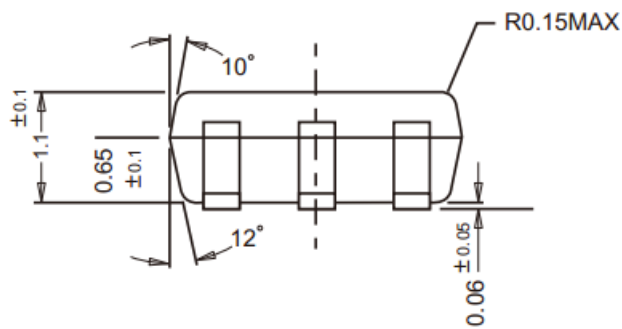
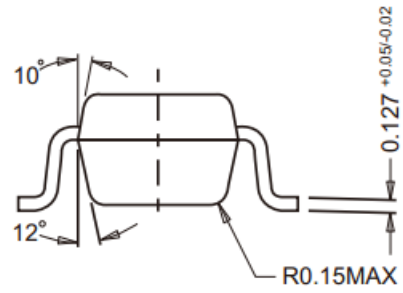
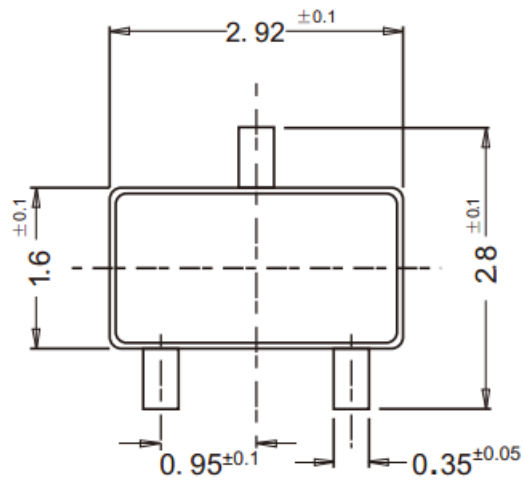
Ordering Information

| Device | Package | Shipping |
|-------------|----------|-----------------------|
| SL54 Series | SOT-23-5 | 3,000PCS/Reel&7inches |

Package Outline

SOT-23-3

Dimensions in mm



Ordering Information

| Device | Package | Shipping |
|-------------|----------|-----------------------|
| SL54 Series | SOT-23-3 | 3,000PCS/Reel&7inches |

X-ON Electronics

Largest Supplier of Electrical and Electronic Components

Click to view similar products for [Linear Voltage Regulators](#) category:

Click to view products by [SLKORMICRO](#) manufacturer:

Other Similar products are found below :

[LV5684PVD-XH](#) [MCDTSA6-2R](#) [L7815ACV-DG](#) [LV56801P-E](#) [UA7805CKC](#) [714954EB](#) [ZMR500QFTA](#) [BA033LBSG2-TR](#)

[NCV78M05ABDTRKG](#) [LV5680P-E](#) [L79M05T-E](#) [L78LR05D-MA-E](#) [NCV317MBTG](#) [NTE7227](#) [MP2018GZD-33-P](#) [MP2018GZD-5-P](#)

[LV5680NPVC-XH](#) [ZTS6538SE](#) [UA78L09CLP](#) [UA78L09CLPR](#) [CAT6221-PPTD-GT3](#) [MC78M09CDTRK](#) [NCV51190MNTAG](#)

[BL1118CS8TR1833](#) [BL8563CKETR18](#) [BL8077CKETR33](#) [BL9153-33CC3TR](#) [BL9161G-15BADRN](#) [BL9161G-28BADRN](#)

[BRCO7530MMC](#) [CJ7815B-TFN-ARG](#) [LM317C](#) [GM7333K](#) [GM7350K](#) [XC6206P332MR](#) [HT7533](#) [LM7912S/TR](#) [LT1764S/TR](#) [LM7805T](#)

[LM338T](#) [LM1117IMP-3.3/TR](#) [HT1117AM-3.3](#) [HT7550S](#) [AMS1117-3.3](#) [HT7150S](#) [78L12](#) [HT7550](#) [HT7533-1](#) [HXY6206I-2.5](#) [HT7133](#)