

TO-92 Encapsulate Three-terminal Voltage Regulators

FEATURES

Maximum Output current

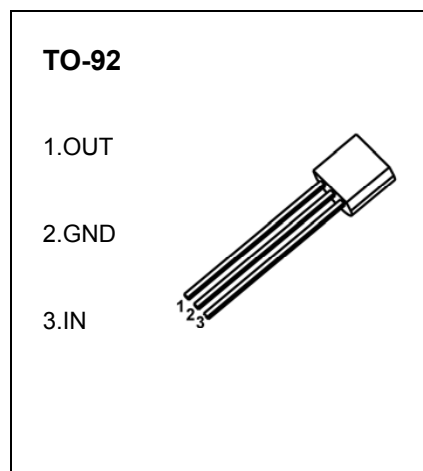
$$I_{OM}: 0.1 \text{ A}$$

Output voltage

$$V_o: 6 \text{ V}$$

Continuous total dissipation

$$P_D: 0.625 \text{ W}$$



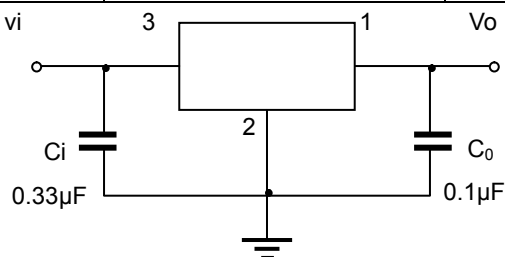
ABSOLUTE MAXIMUM RATINGS (Operating temperature range applies unless otherwise specified)

Parameter	Symbol	Value	Units
Input Voltage	V_I	30	V
Operating Junction Temperature Range	T_{OPR}	0 to +175	°C
Storage Temperature Range	T_{STG}	-55 to +150	°C

ELECTRICAL CHARACTERISTICS AT SPECIFIED VIRTUAL JUNCTION TEMPERATURE ($V_I=11\text{V}, I_o=40\text{mA}, C_i=0.33\mu\text{F}, C_o=0.1\mu\text{F}$, unless otherwise specified)

Parameter	Symbol	Test conditions	Min	Typ	Max	Unit
Output voltage	V_o	25°C	5.75	6.0	6.25	V
		8V ≤ V_i ≤ 20V, $I_o=1\text{mA}-40\text{mA}$	5.7	6.0	6.3	V
		0-125°C, $I_o=1\text{mA}-70\text{mA}$	5.7	6.0	6.3	V
Load Regulation	ΔV_o	$I_o=1\text{mA}-100\text{mA}$, 25°C		16	80	mV
		$I_o=1\text{mA}-40\text{mA}$, 25°C		9	40	mV
Line regulation	ΔV_o	8V ≤ V_i ≤ 20V, 25°C		35	175	mV
		9V ≤ V_i ≤ 20V, 25°C		29	125	mV
Quiescent Current	I_q	25°C		3.9	6.0	mA
Quiescent Current Change	ΔI_q	9V ≤ V_i ≤ 20V, 0-125°C			1.5	mA
	ΔI_q	1mA ≤ I_o ≤ 40mA, 0-125°C			0.1	mA
Output Noise Voltage	V_N	10Hz ≤ f ≤ 100kHz, 25°C		46		μV
Ripple Rejection	RR	9V ≤ V_i ≤ 19V, $f=120\text{Hz}$, 0-125°C	40	48		dB
Dropout Voltage	V_d	25°C		1.7		V

TYPICAL APPLICATION



Note : Bypass capacitors are recommended for optimum stability and transient response and should be located as close as possible to the regulators.

X-ON Electronics

Largest Supplier of Electrical and Electronic Components

Click to view similar products for [Linear Voltage Regulators](#) category:

Click to view products by [SLKORMICRO](#) manufacturer:

Other Similar products are found below :

[LV5684PVD-XH](#) [MCDTSA6-2R](#) [L7815ACV-DG](#) [LV56801P-E](#) [UA7805CKC](#) [714954EB](#) [ZMR500QFTA](#) [BA033LBSG2-TR](#)
[NCV78M05ABDTRKG](#) [LV5680P-E](#) [L79M05T-E](#) [L78LR05D-MA-E](#) [NCV317MBTG](#) [NTE7227](#) [MP2018GZD-33-P](#) [MP2018GZD-5-P](#)
[LV5680NPVC-XH](#) [ZTS6538SE](#) [UA78L09CLP](#) [UA78L09CLPR](#) [CAT6221-PPTD-GT3](#) [MC78M09CDTRK](#) [NCV51190MNTAG](#)
[BL1118CS8TR1833](#) [BL8077CKETR33](#) [BL9153-33CC3TR](#) [BL9161G-28BADRN](#) [BRCO7530MMC](#) [CJ7815B-TFN-ARG](#) [LM317C](#)
[GM7333K](#) [GM7350K](#) [XC6206P332MR](#) [HT7533](#) [LM7912S/TR](#) [LT1764S/TR](#) [LM7805T](#) [LM338T](#) [LM1117IMP-3.3/TR](#) [HT1117AM-3.3](#)
[HT7550S](#) [AMS1117-3.3](#) [HT7150S](#) [78L12](#) [HT7550](#) [HT7533-1](#) [HXY6206I-2.5](#) [HT7133](#) [HT7533S](#) [662K](#)