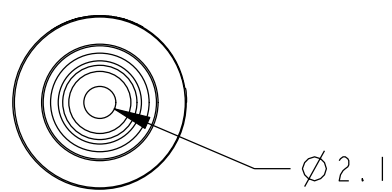
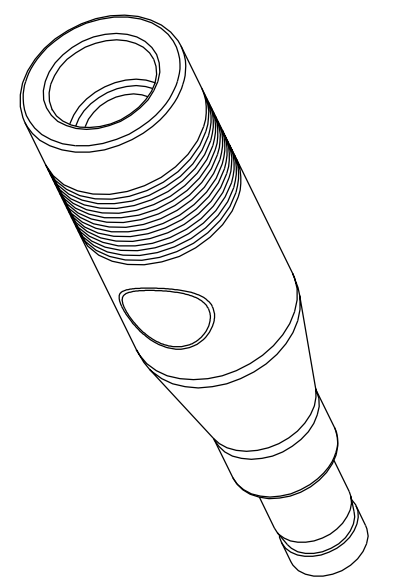
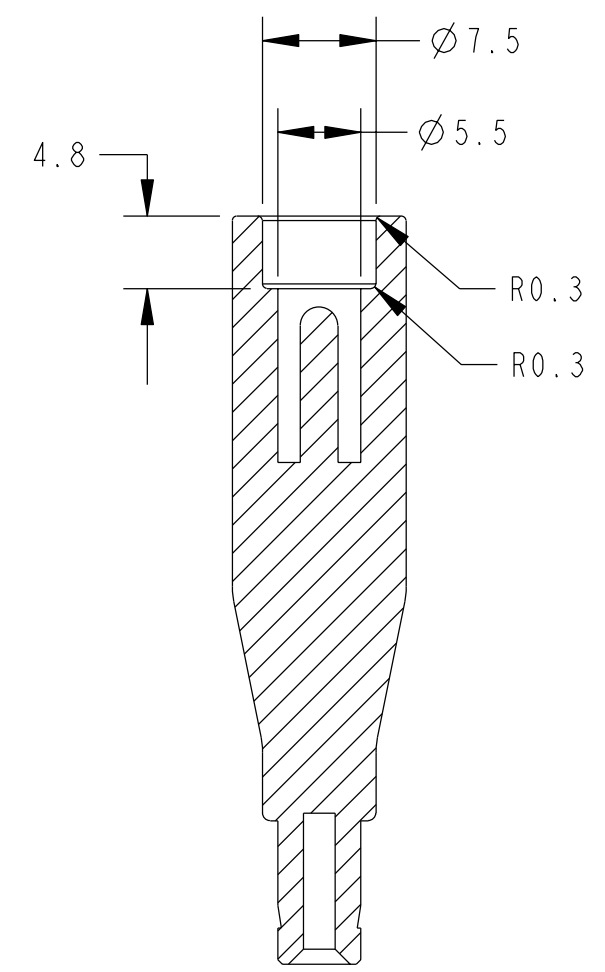
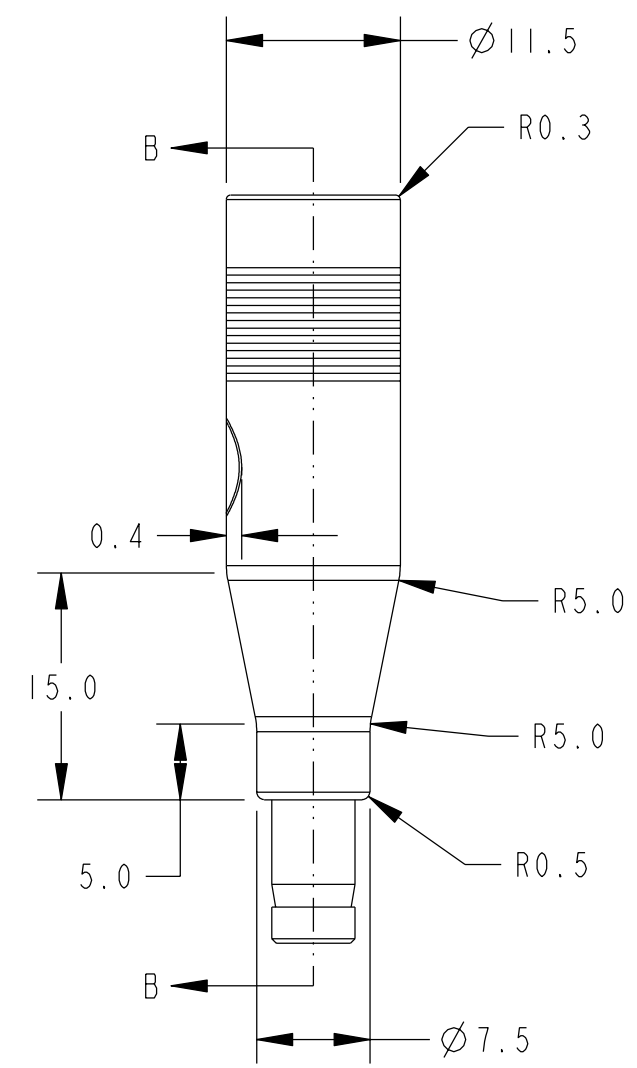
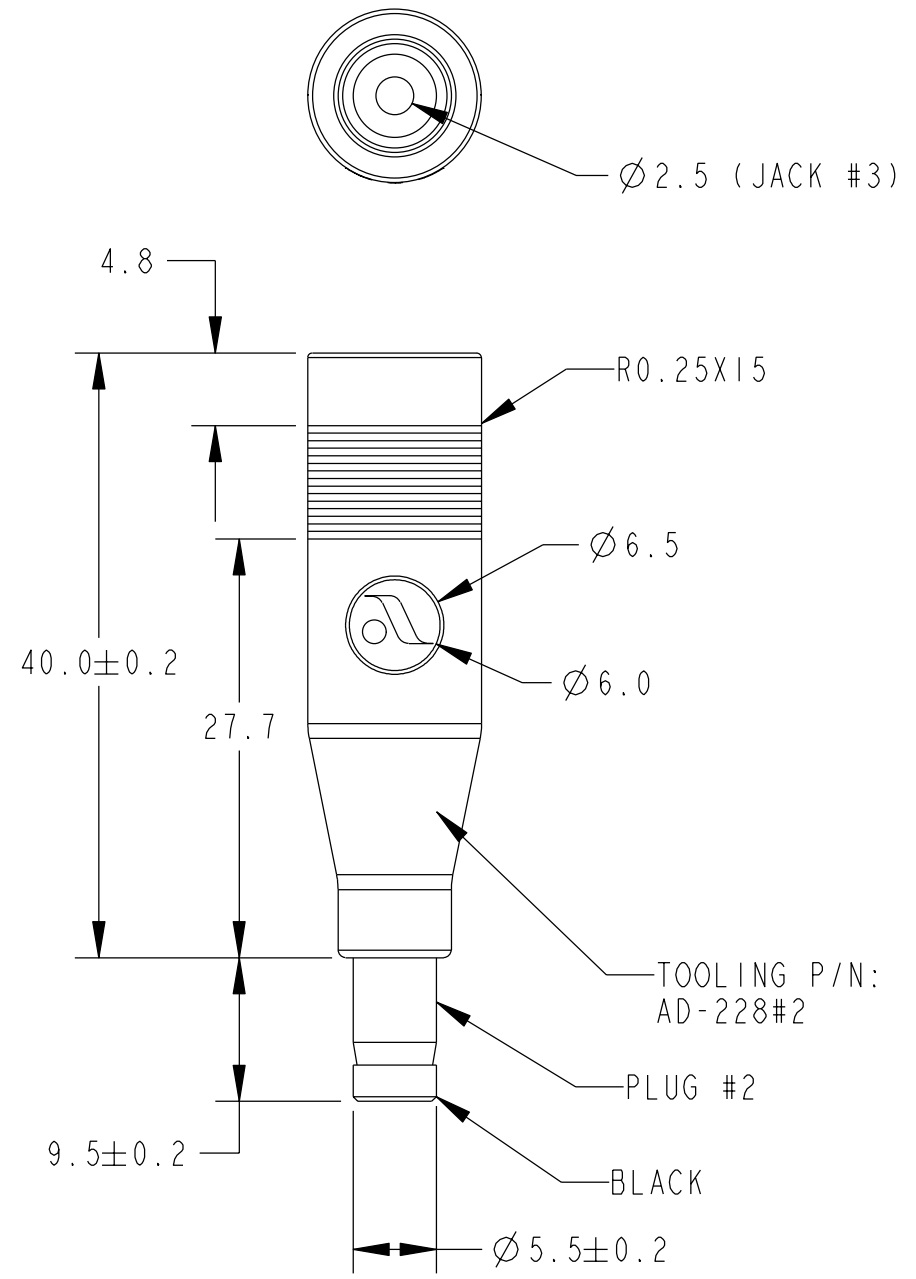



REVISIONS			
REV	DESCRIPTION	DATE	APPROVAL
A	RELEASE	25-Feb-03	X



NOTES:
 ADAPTER: #2
 DC PLUG: Ø2.1 X 5.5 X 9.5 MM (BLACK)
 DC JACK: Ø2.5 X 5.5 X 9.5 MM
 MATERIAL: PVC 90 "A"
 ADAPTER DESIGNED BY AULT FOR USE ONLY WITH CABLE OVERMOLD TOOLING 6131450 AND 6131451 WITH BARREL LENGTH .375 (9.5 MM). WITHDRAW TEST APPROX. 1 KG ~ 2 LBS. PER 1 MINUTE.
 MANUFACTURED BY GOOD POWER P/N AD-228 #2.

TOLERANCES UNLESS NOTED OTHERWISE	SUPPLEMENTARY INFORMATION FIRST USED X		AULT ADAPTER (JACK #3 PLUG #2)		 AULT INCORPORATED MINNEAPOLIS, MINNESOTA	
	DO NOT SCALE DRAWING					
.X ±.020 .XX ±.010 .XXX ±.005 ANGLES ±.5°	DRAWN BY	S. JOHNSON	25-Feb-03	SIZE	DRAWING NO.	REV
	DESIGNER			B	6872340FG	A
	AGENCY					
	ENGINEER					
APPROVED				SCALE 2.000	SHEET 1 OF 1	

X-ON Electronics

Largest Supplier of Electrical and Electronic Components

Click to view similar products for [DC Power Connectors](#) category:

Click to view products by [SL Power](#) manufacturer:

Other Similar products are found below :

[RAPC3FG](#) [B04P-VL-VN-1.8](#) [1600206-1](#) [163-0302](#) [163-0310-EX](#) [163-4024](#) [163-4117-EX](#) [163-5005-E](#) [163-7421](#) [171-0721-EX](#) [171-3118-EX](#) [173-23507-ST-EX](#) [KLDVX-SMT-02-ATR](#) [KLDX-SMT-0202-BP](#) [KLDX-SMT-0202-BPTR](#) [163-0179-EX](#) [163-0307-E](#) [163-4119-E](#) [171-0722-E](#) [171-3218-EX](#) [171-7391](#) [173-3413-ST-EX](#) [RAPCBRK](#) [K596](#) [KLD-0201-BC](#) [KLDVX-SMT-02-BTR](#) [KPPX-D](#) [TPCF-140-01-L-Q-4-RA](#) [RAPC3MHG](#) [RASM752TRX](#) [163-4800-E](#) [4C6831AX](#) [TS3PNJ](#) [DC-025LM-5A-2.5](#) [CL14218R](#) [AS250F RED](#) [DC-105-4A-1.6](#) [09441 AS120-F](#) [09442 AS120-M](#) [CP30240](#) [TAMIYA-M](#) [TAMIYA-MT1](#) [TAMIYA-MT2](#) [4840.1200](#) [4840.2202](#) [C5080HI-04P-18 + C5080HI-C](#) [JC-138](#) [JPO-25 \(FC6814\)](#) [JYO-26 \(FC6811\)](#) [JYO-29 \(FC68102\)](#)