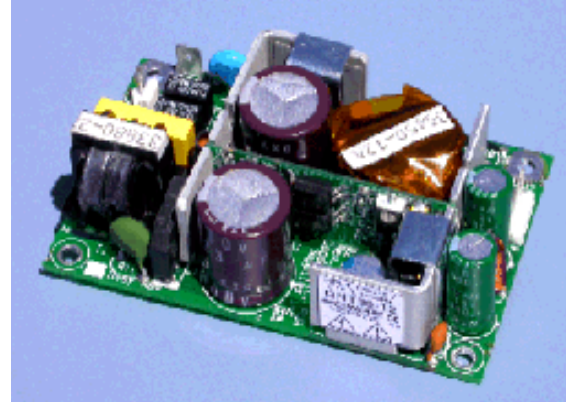


- **90-264 Vac input range**
- **Overvoltage and short circuit protection**
- **Approved to UL, CSA and EN Standards**
- **Small 50 mm x 80 mm footprint**
- **Class II input available (G2T30)**

The GNT30 Series is a 30 W universal input AC/DC Power supply in a very small footprint. With the medical approvals the GNT30 is ideal for a variety of medical device applications including, small single board computers, battery charging, and running small motors, pumps, and solenoids. The series with full approval to EN60601-1 Standard improves design-in time, and reduces end system compliance costs.


All specifications are typical at nominal input, full load at 25 °C unless otherwise stated
SPECIFICATIONS

OUTPUT SPECIFICATIONS		
Output Power	150 l.f.m. airflow	30 Watts max.(See note 4
Total Regulation		See table
Turn-on time		1.5 s max.
Transient response	0.25 A/ms 50% load deviation	3.5% max. dev. 1 ms recovery to 1%
Temperature Coefficient		+/-0.03%/oC
Overvoltage protection		125% +/-10%
Short Circuit protection	Power cycling	Yes

INPUT SPECIFICATIONS		
Input Voltage range	Universal input	100-240 nom (90 - 264 max) Vac
Input frequency		55 Hz +/- 10 Hz
Input surge current		32 A max.
Ground Leakage current	132 Vac 60 Hz	100 µA (180 µA single fault)
Input current	120 Vac	0.6 A
	230 Vac	0.37 A
Input fuse	F1,F2	2.5 A

EMC INFORMATION		
Conducted emissions	EN55011	Level B
Radiated emissions	EN55011	Level A
Line freq. harmonics	EN61000-3-2	Complies
Voltage fluctuations	EN61000-3-3	Complies
ESD Air	EN61000-4-2	8 kV contact
ESD Contact	EN61000-4-2	6 kV air
Radiated immunity	EN61000-4-3	3 V/m
Fast Transients (EFT)	EN61000-4-4	2 kV
Line surge immunity	EN61000-4-5	1 kV diff /2 kV cm
Conducted immunity	EN61000-4-6	3 V _{rms}
Power freq. mag. field	EN61000-4-8	3 A/m
Voltage dip immunity	EN61000-4-11	5 cycles 40 % vnom 0.5 Watts. 25 cycles 70 % vnom 20 W

ENVIRONMENTAL SPECIFICATIONS		
Thermal Performance	operating ambient (see chart)	0-50 °C
	non-operating	-40 to +85 °C
	0 - 50 °C 150 l.f.m (See note 4.)	30 Watts
	50 -70 °C ambient 150 l.f.m	derate 2% /°C
Relative Humidity	non-condensing	0% - 95% RH
Maximum Altitude	operating / non-operating	10,000 ft. / 40,000 ft. max.
Vibration	Operating	1.5 g _{rms} 20-2000 Hz
	Non-operating	5 g _{rms} 20-2000 Hz
Shock	Operating	20 g _{pk} 10 ms, half-sine
	Non-operating	40 g _{pk} 10 ms half-sine

GENERAL SPECIFICATIONS		
Hold-up time	120 Vac, 60 Hz	16 ms at 30 Watts output
Efficiency	120 Vac 30 W output	>78 %
isolation voltage	input to ouput	4000 Vac
	input to ground	1500 Vac
Switching frequency	fixed	120 KHz, +/- 5 KHz
Safety Approvals		UL/EN/IEC 60601-1 CSA22.2 No.601
		UL/EN/IEC 60950-1 CSA22.2 No.60950-1
Maximum weight		100 g (0.22 lbs)

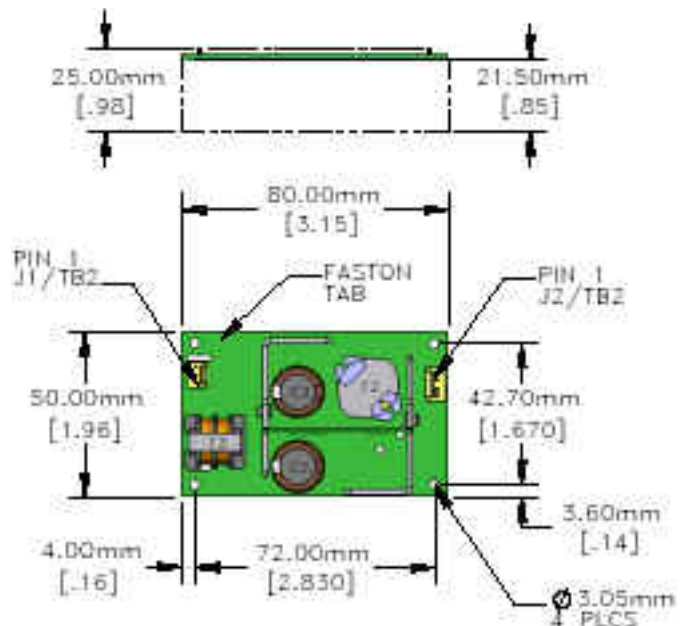
MODEL NUMBER	40°C Convection	50°C Convection	50°C Airflow	RIPPLE	REGULATION
GNT30-5	5 V 4.0 A	5 V 3.2 A	5 V 6.0 A	50 mV	2%
GNT30-12	12 V 2.5 A	12 V 1.66 A	12 V 2.5 A	120 mV	2%
GNT30-15	15 V 2.0 A	15 V 1.06 A	15 V 2.0 A	150 mV	2%
GNT30-24	24 V 1.25 A	24 V 0.83 A	24 V 1.25 A	240 mV	2%
GNT30-28	28 V 1.07 A	28 V 0.8 A	28 V 1.07 A	280 mV	2%
GNT30-48	48 V 0.625 A	48 V 0.416 A	48 V 0.625 A	480 mV	2%

NOTES
1. When the input voltage is less than 90 Vac the operating temperature range is 0°C to 40°C. The ripple and regulation specs. may not be met.
2. Peak output current rating is for 1 minute and 10 % duty cycle.
3. Heatsink temperatures should not be allowed to exceed 90 °C
4. Output Voltage is adjustable +/- 5% of nominal. See installation instructions (www.condorpower.com)

MECHANICAL NOTES		
INPUT	J1 AMP P/N 640456-3	TB1
	PIN 1 AC LINE	PIN 1 AC LINE
	PIN 2 N/C	PIN 2 AC NEUTRAL
	PIN 3 AC NEUTRAL	
0.187 Faston	GROUND	GROUND

OUTPUT	J2 AMP P/N 640456-4	TB2
	PIN 1 COMMON	PIN 1 COMMON
	PIN 2 COMMON	PIN 2 OUTPUT 1
	PIN 3 OUTPUT 1	
	PIN 4 OUTPUT 1	

	MATING CONNECTORS	CONTACT
INPUT	HOUSING 1375820-3	1375819-1
OUTPUT	HOUSING 1375820-4	1375819-1



X-ON Electronics

Largest Supplier of Electrical and Electronic Components

Click to view similar products for [Modular Power Supplies](#) category:

Click to view products by [SI Power](#) manufacturer:

Other Similar products are found below :

[73-147-000](#) [73-270-000](#) [73-316-4020](#) [73-317-0005](#) [73-495-0333](#) [73-961-4086-G2](#) [GLD150-48-103-G](#) [PS3E-B12F](#) [PS3E-E12F](#) [AS300-MLF](#)
[OVS-12E](#) [OVS-12F](#) [OVS-12J](#) [OVS-15F](#) [OVS-15J](#) [IVS13Q2Q1F4LL030ANJCUNR32](#) [LB115S48KH](#) [FP2-PSA1](#) [PS3E-F12F](#) [IMP4-3O1-](#)
[2J1-05-B-662](#) [UPS40-3003](#) [LB240S48KH](#) [LMM409 CHASSIS](#) [LPM615-CHAS](#) [ADNB008-48-1PM-C](#) [ADNB017-24-1PM-C](#) [ADNB040-24-](#)
[1PM-C](#) [VAS003ZG](#) [ADNB050-12-1PM-C](#) [ADNB040-15-1PM-C](#) [ADNB034-12-1PM-C](#) [73-166-000](#) [73-271-000](#) [73-961-4085-G2](#) [73-962-](#)
[0001](#) [OVS-15G](#) [1-155777G](#) [OVS-24F](#) [OVS-5F](#) [73-551-5086](#) [73-554-4047](#) [73-670-0001I](#) [73-713-001](#) [73-769-003](#) [73-546-001](#) [73-954-](#)
[0001C-G2](#) [73-951-0001S-G2](#) [73-560-434](#) [73-180-0001I](#) [73-554-4045](#)