

Altech Universal Digital Multi-Timer

Altech's AMT-Series of Universal Digital Multi-Timers comprises 4 models featuring 8 or 18 timer functions to offer highest flexibility in controlling operations. The time range is adjustable from 0.1s to 999h. An LCD display shows current Run time information.

Features

- Multifunctional Timer (8 or 18 Functions)
- Universal Voltage 24~265 VAC/ DC
- Wide Time Range: 0.1s ~ 999h
- 3 Digit LCD Display for Preset Time and Run Time
- DIN Rail Mounted
- 17.5mm Width

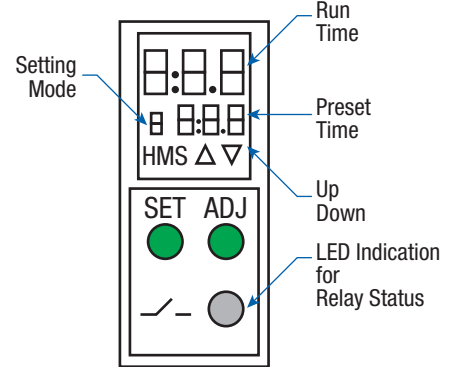


Digital Timers

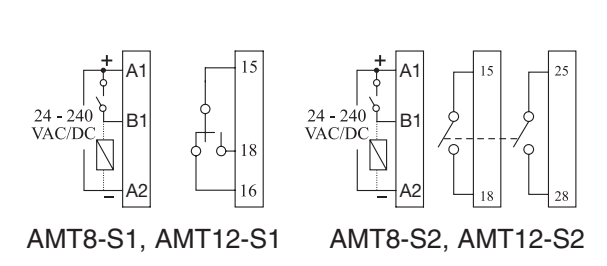
Cat. No.	AMT8-S1	AMT8-D2	AMT12-S1	AMT12-D2
Output Contacts	1 C/O	2 NO	1 C/O	2 NO
No. of Timer Functions	8	8	18	18
Functions / [setting mode]	1) ON Delay [R] 2) Cyclic OFF/ ON [b] 3) Cyclic ON/ OFF [c] 4) Signal ON/ OFF [d] 5) Signal OFF Delay [E] 6) Interval [F] 7) Signal OFF/ ON [G] 8) One Shot Output [H]		1) ON Delay [R] 2) Cyclic OFF/ ON [I] 3) Cyclic ON/ OFF [Z] 4) Impulse on Energizing [a] 5) Accumulative Delay on Signal [4] 6) Accumulative Delay on Inverted Signal [5] 7) Accumulative Impulse on Signal [5] 8) Signal ON Delay [7] 9) Inverted Signal ON Delay [8] 10) Signal OFF Delay [9] 11) Impulse ON/ OFF [R] 12) Signal OFF/ ON [b] 13) Leading Edge Impulse 1 [C] 14) Leading Edge Impulse 2 [d] 15) Trailing Edge Impulse 1 [E] 16) Trailing Edge Impulse 2 [F] 17) Delayed Impulse [G] 18) Inverted Signal ON Delay 2 [H]	

Specifications

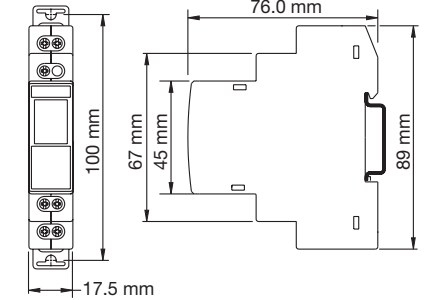
Supply Voltage	24 - 265 VAC/ DC (50, 60Hz)
Power Consumption	10 VA max.
Timing Range	0.1s ~ 999h
Reset Time	200ms max.
Repeat Accuracy	+0.5%
Output Contact Rating	8A @ 240 VAC/ 24 VDC (resistive)
Electrical Life	10,000 switching cycles
Mechanical Life	2,000,000 switching cycles
AC-15 Rating	Rated Voltage (Ue): 125/ 240V, Rated Current (Ie): 3/1.5A
DC-13 Rating	Rated Voltage (Ue): 125/ 250V, Rated Current (Ie): 2/0.22/0.1A
Operating Temperature	-10°C ~ +55°C (+14°F ~ 131°F)
Storage Temperature	-20°C ~ +65°C (-4°F ~ 149°F)
Weight	85g (0.14lb.)
Protection Enclosure	IP30
Protection Terminals	IP20
Torque	0.40 Nm (3.5 lb.in.)
Terminal Wire Size	0.3-2.5 mm ² (22-14 AWG)



Connection Diagrams



Dimensions



altechcorp.com

Altech Corp.

Altech Search

Home Stock Check Distributors Information News Contact Rep/Dist Login Altech Mexico

Quality Endorsed Company ISO 9001:2008 CERTIFICATE

WEB TOOLS

- Product Crossings
- Request for Quote
- Sample Request
- Catalog Request

PRODUCT MENU

- Circuit Protection / Control
- Connectors
- Enclosures
- European Spare Parts
- Foot Switches
- Interface Modules
- Power Supplies
- Power Semi-Conductors
- Programmable Controllers
- Push Buttons & Pilot Lights
- Relays
- Sensors
- Terminal Blocks
- Tower Lights
- Timers
- Wire & Cable Management
- Home

New Products and Promotions

Serving the Automation & Control Industry Since 1984

Circuit Protection

- Circuit Protection Devices
- Busbar and Power Distribution
- Contactors, Overload Relays, Manual Motor Starters
- Motor Disconnect Switches
- European Fuses

Connectors

- Industrial Rectangular Connectors
- Pin & Sleeve Devices
- Receptacles

Foot Switches

- Foot Switches

Sensors

- Inductive Proximity Sensors

Enclosures

- Industrial Enclosures
- DIN Enclosures

Modules & Relays

- Interface Modules
- Safety Relays
- Slimline Relays

Power Supplies

- Power Supplies

Push Buttons

- 22 & 30 mm Push Buttons

DIN Rail

- DIN Rail

Wire & Cable Management

- Liquid Tight Strain Reliefs/ Corrugated Tubes
- Wire Duct

Terminal Blocks

- Din Rail Terminal Blocks
- Panel Mount Terminal Blocks
- Printed Circuit Board Terminal Blocks
- Eurostrips®
- Distribution Blocks

Miscellaneous

- Ferrules
- Custom Assembly
- Marking & Engraving Systems
- Altech Smart Relay
- Tower Lights

Altech Corporation
 35 Royal Road
 Flemington, NJ 08822-6000
 P 908.806.9400 • F 908.806.9490
 www.altechcorp.com

Altech Corp.® 120-3000
 Printed October 2012

Altech Corp.®

Serving the Automation & Control Industry since 1984



ISO 9001
 QMS-ISA Global



Altech Smart Relay & Digital Multi-Timer

Altech® Smart Relay



Standards and Certifications

- UL 508
- IEC 61000-3-2
- IEC 61000-4-2-1~11

Features

- Supports upto 48 I/Os (32 digital inputs & 16 digital outputs)
- DST Feature Available
- Backlit LCD Screen for display & modification of pre-selected parameters of functional blocks, viewing I/O status and programming on the device
- PC software for programming, online & offline simulation, documentation & printing
- Designed for use in automation for commercial & Industrial sectors
- Modbus Communication

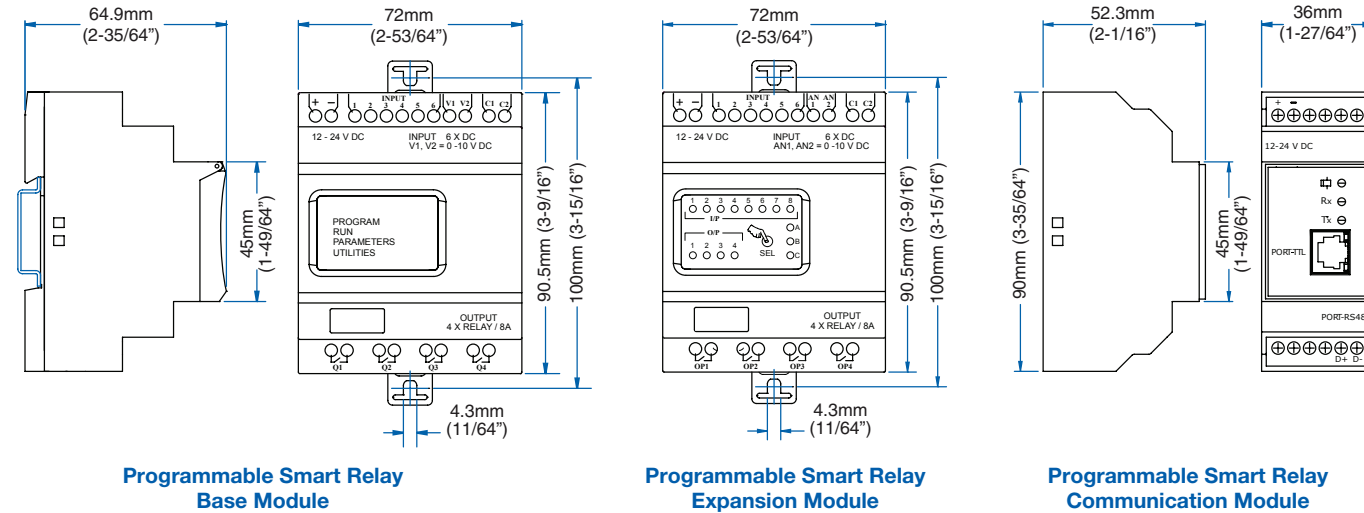
Programming Features

- 250 lines of ladder programming
- 16 soft text messages, Time Switches, Compare Counters, Timers, Counters & 12 analog functions

Function Blocks

Timers:	16 (ON Delay, Interval, Cyclic ON-OFF, OFF Delay)
Counters:	16 (Up/Down, Retentive selectable)
Time Switches:	16 (Weekly / Daily)
Compare Counters:	16
Analog Functions:	12 (DC Model)
Soft Text Messages:	16 (Priority Driven)
Auxiliary Relays:	32

Mounting Dimensions



Altech Smart Relay

Technical Specifications

I/O Extensions (Max.)	3
Utilization Category	AC-15 DC-13
Rated Voltage (Ue)	120/240 V
Rated Current (Ie)	3.0/1.5 A
Rated Voltage (Ue)	24/125/250 V
Current (Ie)	2.0/0.22/0.1 A
Power Reserve (For Clock Only)	150h at -10°C to +55°C
Operating Temperature	-10°C to +55°C
Storage Temperature	-25°C to +70°C
Humidity (Non Condensing)	95% (Rh)
Enclosure	Flame Retardant UL 94-V0
Mounting	Base / DIN Rail
Degree of Protection	IP 20 for Terminals, IP 40 for Enclosure



Base Module

Cat. No.	ASR-B120AC	ASR-B24DC
Supply Voltage (-20% to +10%)	110-240 VAC (50/60Hz)	12-24 VDC
Power Consumption	5W	5W
Max. Supply current	36 mA	360 mA
Digital Inputs	8	6
Digital Input Range	(0-40VAC) OFF, (80-265VAC) ON	(0-4VDC) OFF, (8-26.4VDC) ON
Analog Inputs	N/A	2 (can be used as Digital Inputs)
Analog Input Range	N/A	0 to 10 VDC
Digital Relay Output	4 NO (8A@240V AC, 5A@30V DC)	4 NO (8A@240V AC, 5A@30V DC)
Weight	0.51 lb. (230 g)	0.51 lb. (230 g)

Expansion Module

Cat. No.	ASR-E120AC	ASR-E24DC
Digital Inputs	8	6
Digital Input Range	(0-40VAC) OFF, (80-265VAC) ON	(0-4VDC) OFF, (8-26.4VDC) ON
Analog Inputs	N/A	2 (can be used as Digital Inputs)
Analog Input Range	N/A	0 to 10 VDC
Digital Relay Output	4 NO (8A@240V AC, 5A@30V DC)	4 NO (8A@240V AC, 5A@30V DC)
Weight	0.5 lb. (225 g)	0.5 lb. (225 g)

RS485 Communication Module (including communication cable)

Input	TTL Level
Output	RS-485 protocol (two wires, D+, D-)
Number of Nodes	32 standard unit loads
Isolation Voltage	2000 Vrms
Baud Rate	300, 600, 1200, 2400, 4800, 9600
Operating temperature	-10°C to +55°C
Storage temperature	-20°C to +70°C
LED Indicators	Red LED's for Tx & Rx. Green LED for Power indication
Weight	0.19 lb. (84 g)



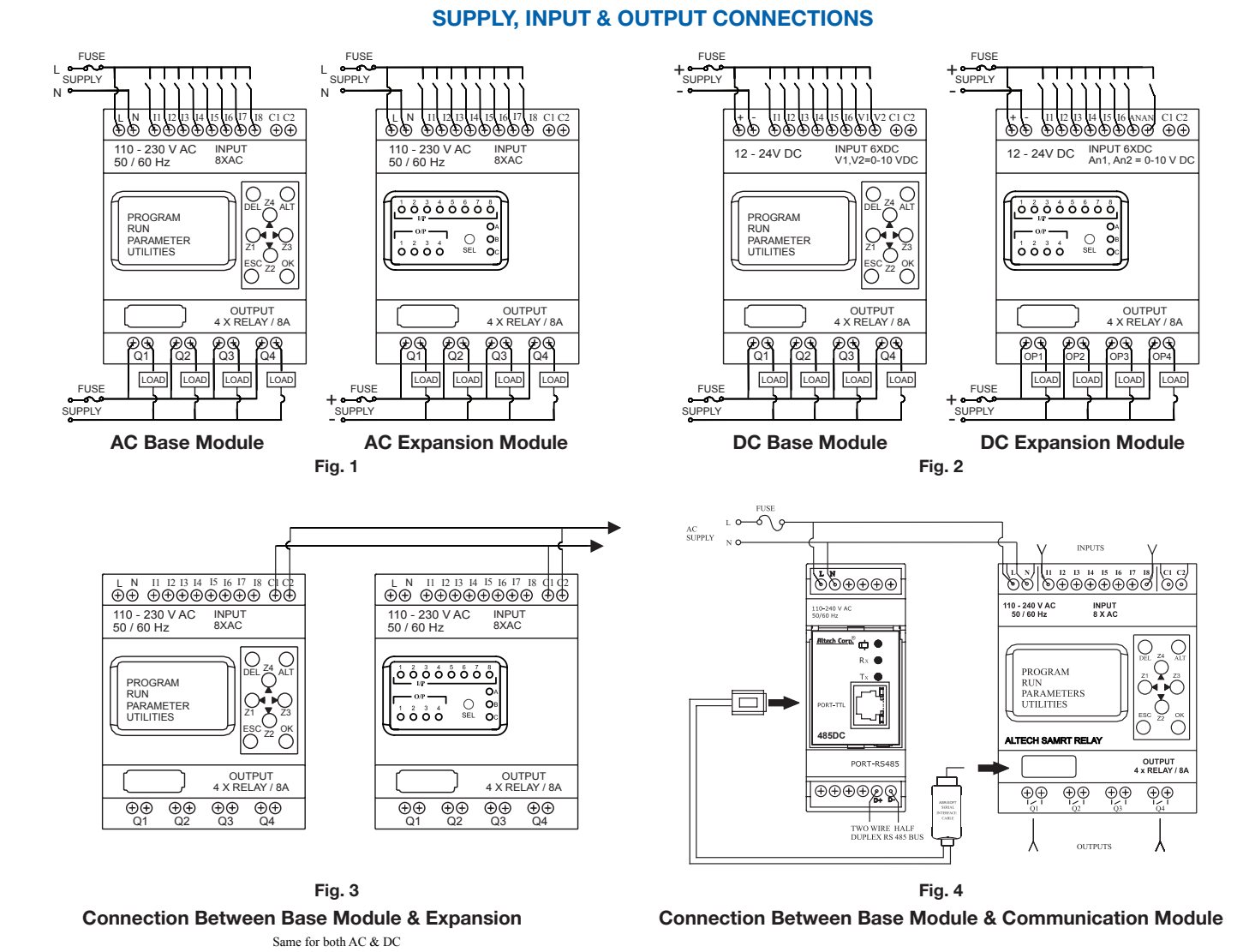
Cat. No.	ASR-C485-120AC	ASR-C485-24DC
Supply Voltage	110-240 VAC	12-24 VDC
Weight	0.18 lb. (80 g)	0.19 lb. (84 g)

Accessories

Cat. No.	ASR-MC	ASR-USB	ASR-RS232
	Memory Card	USB Cable	Serial RS232 Cable
Weight	0.18 lb. (80 g)	0.22 lb. (100 g)	0.24 lb. (110 g)

Altech Smart Relay

Connection Diagrams



Power Supply Wiring

1. Although the Altech Smart Relay has been designed to withstand the negative effects of any electrical noise that might be present its power supply. It may be necessary to insert an isolation transformer between the supply and line terminals of the Altech Smart Relay.
2. While using the DC Altech Smart Relay, run the 24 VDC Input line separate from 100 ~240V AC power lines.

Wiring of Input/Output

1. Separate input and output lines.
2. When the output lines are running close to power supply or input lines, use shielded wires and ground them.

Altech® Smart Relay



Standards and Certifications

- UL 508
- IEC 61000-3-2
- IEC 61000-4-2-1~11

Features

- Supports upto 48 I/Os (32 digital inputs & 16 digital outputs)
- DST Feature Available
- Backlit LCD Screen for display & modification of pre-selected parameters of functional blocks, viewing I/O status and programming on the device
- PC software for programming, online & offline simulation, documentation & printing
- Designed for use in automation for commercial & Industrial sectors
- Modbus Communication

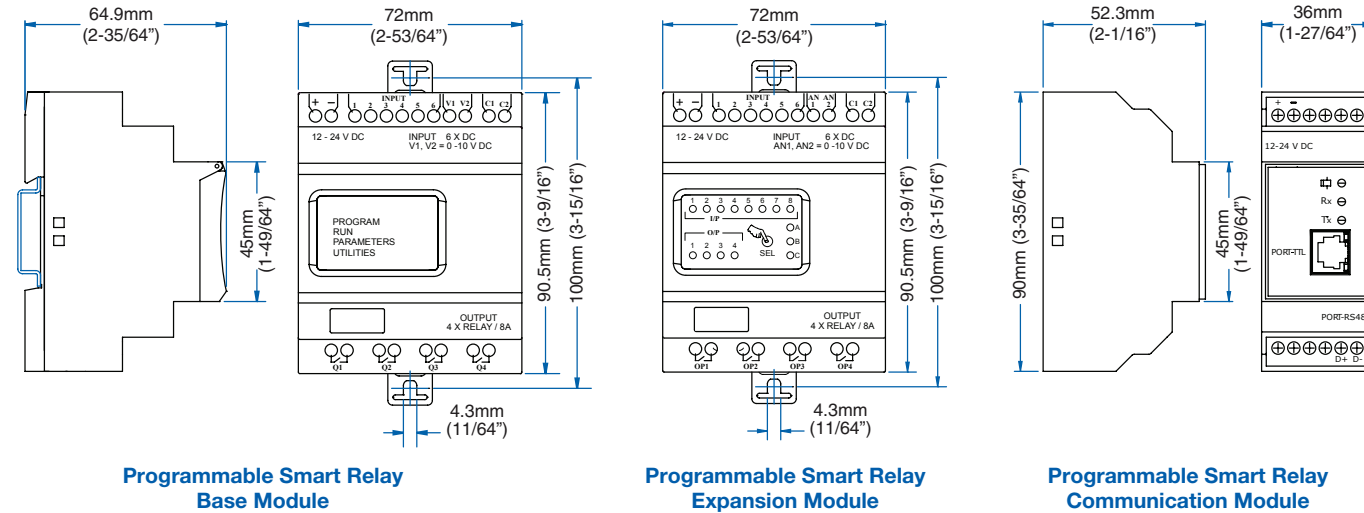
Programming Features

- 250 lines of ladder programming
- 16 soft text messages, Time Switches, Compare Counters, Timers, Counters & 12 analog functions

Function Blocks

Timers:	16 (ON Delay, Interval, Cyclic ON-OFF, OFF Delay)
Counters:	16 (Up/Down, Retentive selectable)
Time Switches:	16 (Weekly / Daily)
Compare Counters:	16
Analog Functions:	12 (DC Model)
Soft Text Messages:	16 (Priority Driven)
Auxiliary Relays:	32

Mounting Dimensions



Altech Smart Relay

Technical Specifications

I/O Extensions (Max.)	3
Utilization Category	AC-15 DC-13
Rated Voltage (Ue)	120/240 V
Rated Current (Ie)	3.0/1.5 A
Rated Voltage (Ue)	24/125/250 V
Current (Ie)	2.0/0.22/0.1 A
Power Reserve (For Clock Only)	150h at -10°C to +55°C
Operating Temperature	-10°C to +55°C
Storage Temperature	-25°C to +70°C
Humidity (Non Condensing)	95% (Rh)
Enclosure	Flame Retardant UL 94-V0
Mounting	Base / DIN Rail
Degree of Protection	IP 20 for Terminals, IP 40 for Enclosure



Base Module

Cat. No.	ASR-B120AC	ASR-B24DC
Supply Voltage (-20% to +10%)	110-240 VAC (50/60Hz)	12-24 VDC
Power Consumption	5W	5W
Max. Supply current	36 mA	360 mA
Digital Inputs	8	6
Digital Input Range	(0-40VAC) OFF, (80-265VAC) ON	(0-4VDC) OFF, (8-26.4VDC) ON
Analog Inputs	N/A	2 (can be used as Digital Inputs)
Analog Input Range	N/A	0 to 10 VDC
Digital Relay Output	4 NO (8A@240V AC, 5A@30V DC)	4 NO (8A@240V AC, 5A@30V DC)
Weight	0.51 lb. (230 g)	0.51 lb. (230 g)

Expansion Module

Cat. No.	ASR-E120AC	ASR-E24DC
Digital Inputs	8	6
Digital Input Range	(0-40VAC) OFF, (80-265VAC) ON	(0-4VDC) OFF, (8-26.4VDC) ON
Analog Inputs	N/A	2 (can be used as Digital Inputs)
Analog Input Range	N/A	0 to 10 VDC
Digital Relay Output	4 NO (8A@240V AC, 5A@30V DC)	4 NO (8A@240V AC, 5A@30V DC)
Weight	0.5 lb. (225 g)	0.5 lb. (225 g)

RS485 Communication Module (including communication cable)

Input	TTL Level
Output	RS-485 protocol (two wires, D+, D-)
Number of Nodes	32 standard unit loads
Isolation Voltage	2000 Vrms
Baud Rate	300, 600, 1200, 2400, 4800, 9600
Operating temperature	-10°C to +55°C
Storage temperature	-20°C to +70°C
LED Indicators	Red LED's for Tx & Rx. Green LED for Power indication
Weight	0.19 lb. (84 g)



Cat. No.	ASR-C485-120AC	ASR-C485-24DC
Supply Voltage	110-240 VAC	12-24 VDC
Weight	0.18 lb. (80 g)	0.19 lb. (84 g)

Accessories

Cat. No.	ASR-MC	ASR-USB	ASR-RS232
	Memory Card	USB Cable	Serial RS232 Cable
Weight	0.18 lb. (80 g)	0.22 lb. (100 g)	0.24 lb. (110 g)

Altech Smart Relay

Connection Diagrams

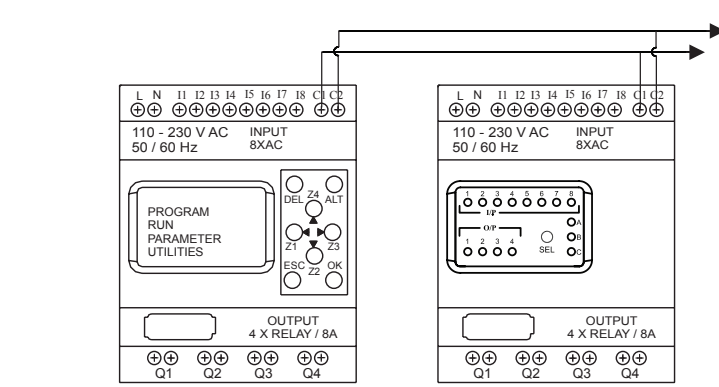
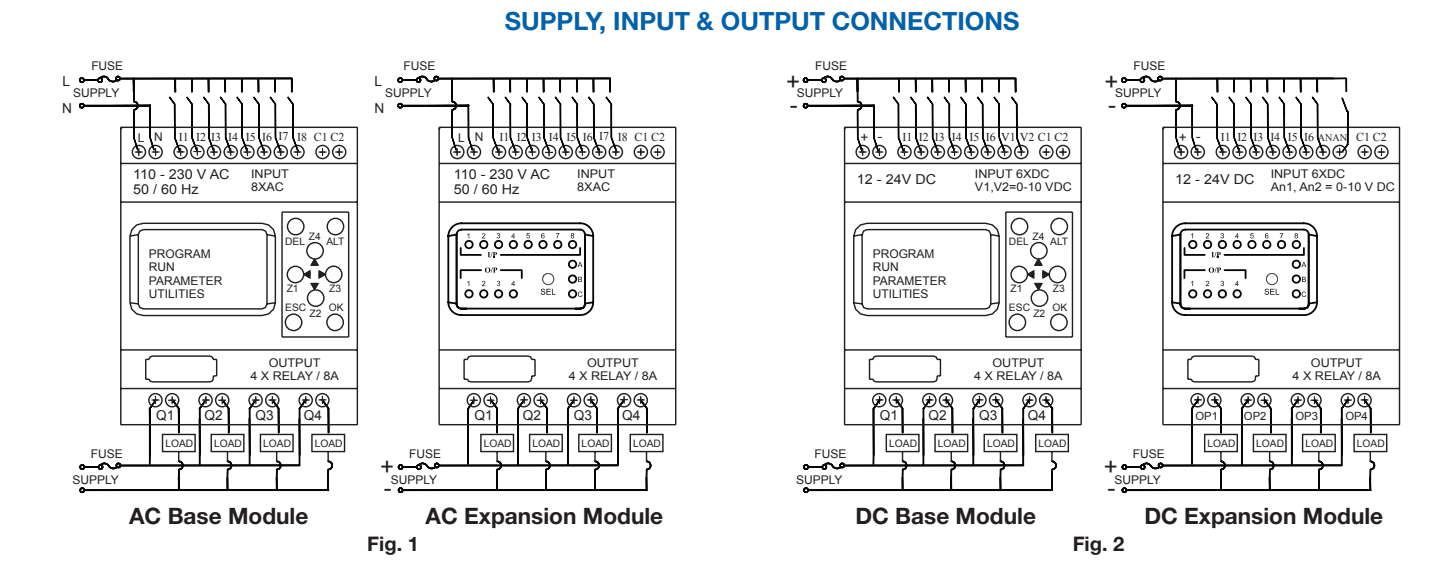


Fig. 3 Connection Between Base Module & Expansion
Same for both AC & DC

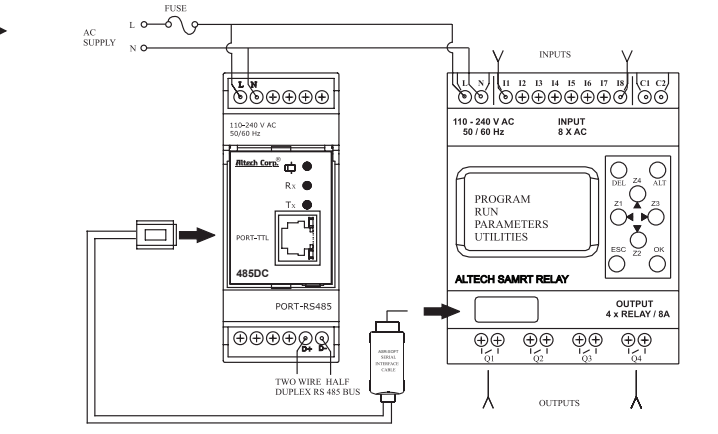


Fig. 4 Connection Between Base Module & Communication Module

Power Supply Wiring

1. Although the Altech Smart Relay has been designed to withstand the negative effects of any electrical noise that might be present its power supply. It may be necessary to insert an isolation transformer between the supply and line terminals of the Altech Smart Relay.
2. While using the DC Altech Smart Relay, run the 24 VDC Input line separate from 100 ~240V AC power lines.

Wiring of Input/Output

1. Separate input and output lines.
2. When the output lines are running close to power supply or input lines, use shielded wires and ground them.

Altech® Smart Relay



Standards and Certifications

- UL 508
- IEC 61000-3-2
- IEC 61000-4-2-1~11

Features

- Supports upto 48 I/Os (32 digital inputs & 16 digital outputs)
- DST Feature Available
- Backlit LCD Screen for display & modification of pre-selected parameters of functional blocks, viewing I/O status and programming on the device
- PC software for programming, online & offline simulation, documentation & printing
- Designed for use in automation for commercial & Industrial sectors
- Modbus Communication

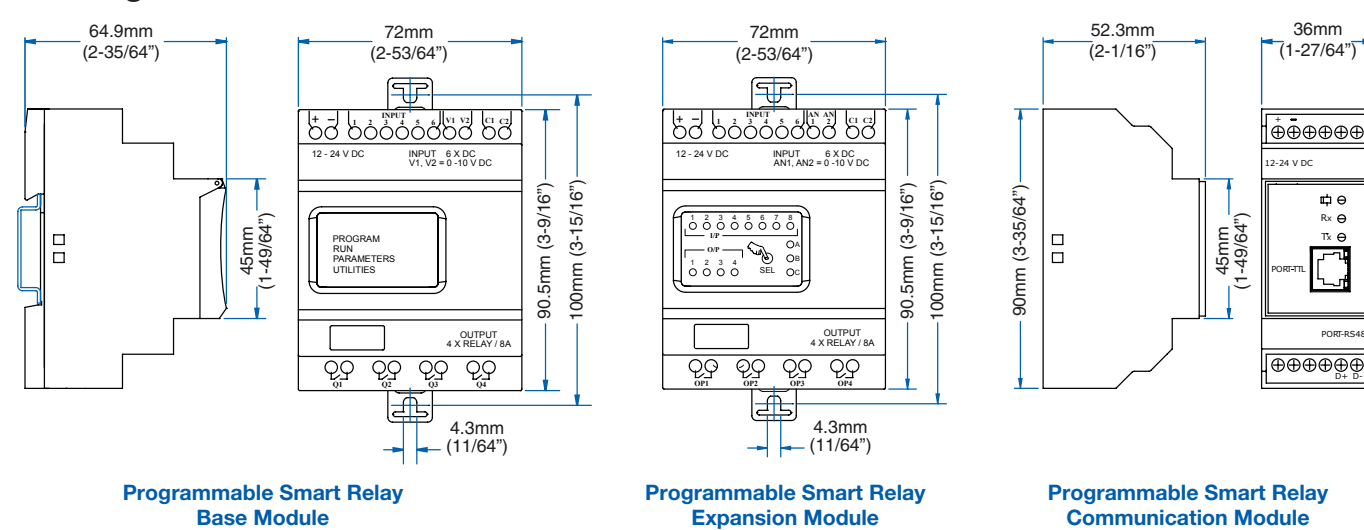
Programming Features

- 250 lines of ladder programming
- 16 soft text messages, Time Switches, Compare Counters, Timers, Counters & 12 analog functions

Function Blocks

Timers:	16 (ON Delay, Interval, Cyclic ON-OFF, OFF Delay)
Counters:	16 (Up/Down, Retentive selectable)
Time Switches:	16 (Weekly / Daily)
Compare Counters:	16
Analog Functions:	12 (DC Model)
Soft Text Messages:	16 (Priority Driven)
Auxiliary Relays:	32

Mounting Dimensions



Altech Smart Relay

Technical Specifications

I/O Extensions (Max.)	3
Utilization Category	AC-15 DC-13
Rated Voltage (Ue)	120/240 V
Rated Current (Ie)	3.0/1.5 A
Rated Voltage (Ue)	24/125/250 V
Current (Ie)	2.0/0.22/0.1 A
Power Reserve (For Clock Only)	150h at -10°C to +55°C
Operating Temperature	-10°C to +55°C
Storage Temperature	-25°C to +70°C
Humidity (Non Condensing)	95% (Rh)
Enclosure	Flame Retardant UL 94-V0
Mounting	Base / DIN Rail
Degree of Protection	IP 20 for Terminals, IP 40 for Enclosure



Base Module

Cat. No.	ASR-B120AC	ASR-B24DC
Supply Voltage (-20% to +10%)	110-240 VAC (50/60Hz)	12-24 VDC
Power Consumption	5W	5W
Max. Supply current	36 mA	360 mA
Digital Inputs	8	6
Digital Input Range	(0-40VAC) OFF, (80-265VAC) ON	(0-4VDC) OFF, (8-26.4VDC) ON
Analog Inputs	N/A	2 (can be used as Digital Inputs)
Analog Input Range	N/A	0 to 10 VDC
Digital Relay Output	4 NO (8A@240V AC, 5A@30V DC)	4 NO (8A@240V AC, 5A@30V DC)
Weight	0.51 lb. (230 g)	0.51 lb. (230 g)

Expansion Module

Cat. No.	ASR-E120AC	ASR-E24DC
Digital Inputs	8	6
Digital Input Range	(0-40VAC) OFF, (80-265VAC) ON	(0-4VDC) OFF, (8-26.4VDC) ON
Analog Inputs	N/A	2 (can be used as Digital Inputs)
Analog Input Range	N/A	0 to 10 VDC
Digital Relay Output	4 NO (8A@240V AC, 5A@30V DC)	4 NO (8A@240V AC, 5A@30V DC)
Weight	0.5 lb. (225 g)	0.5 lb. (225 g)

RS485 Communication Module (including communication cable)

Input	TTL Level
Output	RS-485 protocol (two wires, D+, D-)
Number of Nodes	32 standard unit loads
Isolation Voltage	2000 Vrms
Baud Rate	300, 600, 1200, 2400, 4800, 9600
Operating temperature	-10°C to +55°C
Storage temperature	-20°C to +70°C
LED Indicators	Red LED's for Tx & Rx. Green LED for Power indication
Weight	0.19 lb. (84 g)



Cat. No.	ASR-C485-120AC	ASR-C485-24DC
Supply Voltage	110-240 VAC	12-24 VDC
Weight	0.18 lb. (80 g)	0.19 lb. (84 g)

Accessories

Cat. No.	ASR-MC	ASR-USB	ASR-RS232
	Memory Card	USB Cable	Serial RS232 Cable
Weight	0.18 lb. (80 g)	0.22 lb. (100 g)	0.24 lb. (110 g)

Altech Smart Relay

Connection Diagrams

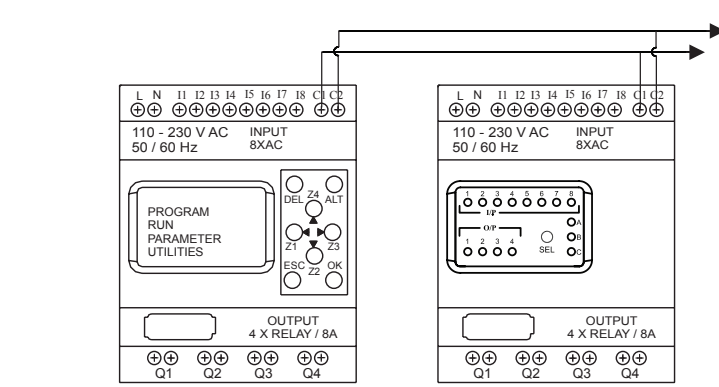
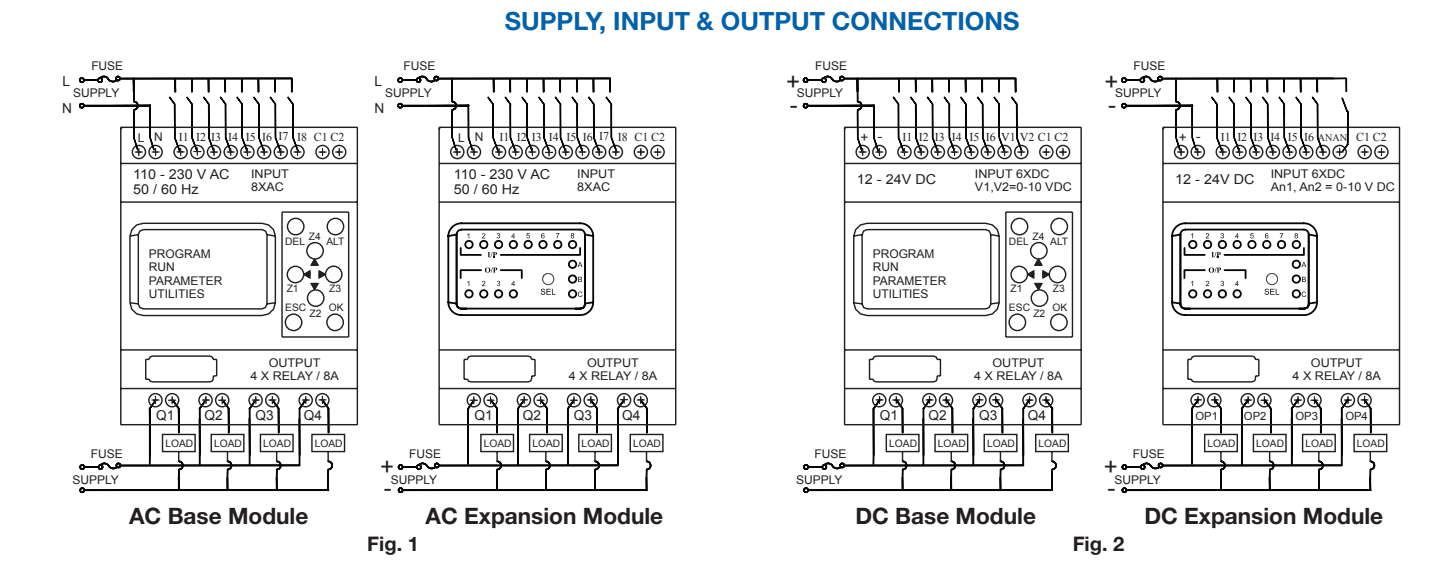


Fig. 3 Connection Between Base Module & Expansion
Same for both AC & DC

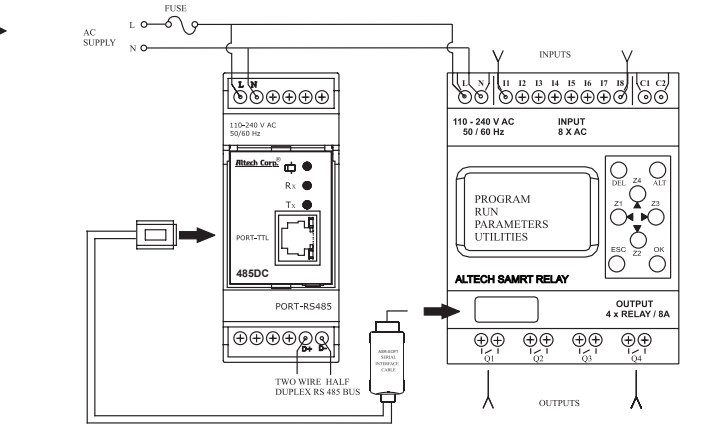


Fig. 4 Connection Between Base Module & Communication Module

Power Supply Wiring

1. Although the Altech Smart Relay has been designed to withstand the negative effects of any electrical noise that might be present its power supply. It may be necessary to insert an isolation transformer between the supply and line terminals of the Altech Smart Relay.
2. While using the DC Altech Smart Relay, run the 24 VDC Input line separate from 100 ~240V AC power lines.

Wiring of Input/Output

1. Separate input and output lines.
2. When the output lines are running close to power supply or input lines, use shielded wires and ground them.

Altech Universal Digital Multi-Timer

Altech's AMT-Series of Universal Digital Multi-Timers comprises 4 models featuring 8 or 18 timer functions to offer highest flexibility in controlling operations. The time range is adjustable from 0.1s to 999h. An LCD display shows current Run time information.

Features

- Multifunctional Timer (8 or 18 Functions)
- Universal Voltage 24~265 VAC/ DC
- Wide Time Range: 0.1s ~ 999h
- 3 Digit LCD Display for Preset Time and Run Time
- DIN Rail Mounted
- 17.5mm Width

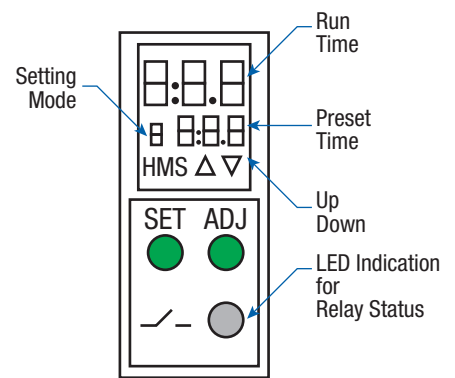


Digital Timers

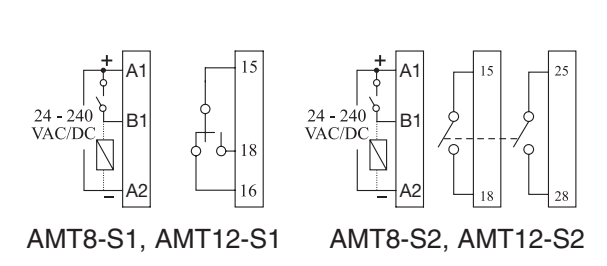
Cat. No.	AMT8-S1	AMT8-D2	AMT12-S1	AMT12-D2
Output Contacts	1 C/O	2 NO	1 C/O	2 NO
No. of Timer Functions	8	8	18	18
Functions / [setting mode]	1) ON Delay [R] 2) Cyclic OFF/ ON [b] 3) Cyclic ON/ OFF [c] 4) Signal ON/ OFF [d] 5) Signal OFF Delay [E] 6) Interval [F] 7) Signal OFF/ ON [G] 8) One Shot Output [H]		1) ON Delay [Q] 2) Cyclic OFF/ ON [I] 3) Cyclic ON/ OFF [Z] 4) Impulse on Energizing [a] 5) Accumulative Delay on Signal [4] 6) Accumulative Delay on Inverted Signal [5] 7) Accumulative Impulse on Signal [5] 8) Signal ON Delay [7] 9) Inverted Signal ON Delay [8] 10) Signal OFF Delay [9] 11) Impulse ON/ OFF [R] 12) Signal OFF/ ON [b] 13) Leading Edge Impulse 1 [C] 14) Leading Edge Impulse 2 [d] 15) Trailing Edge Impulse 1 [E] 16) Trailing Edge Impulse 2 [F] 17) Delayed Impulse [G] 18) Inverted Signal ON Delay 2 [H]	

Specifications

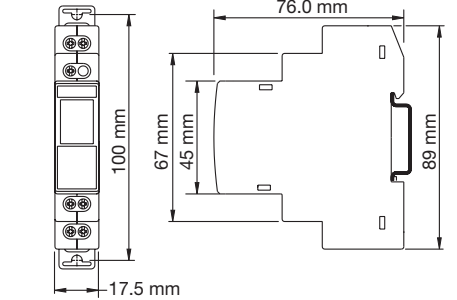
Supply Voltage	24 - 265 VAC/ DC (50, 60Hz)
Power Consumption	10 VA max.
Timing Range	0.1s ~ 999h
Reset Time	200ms max.
Repeat Accuracy	+0.5%
Output Contact Rating	8A @ 240 VAC/ 24 VDC (resistive)
Electrical Life	10,000 switching cycles
Mechanical Life	2,000,000 switching cycles
AC-15 Rating	Rated Voltage (Ue): 125/ 240V, Rated Current (Ie): 3/1.5A
DC-13 Rating	Rated Voltage (Ue): 125/ 250V, Rated Current (Ie): 2/0.22/0.1A
Operating Temperature	-10°C ~ +55°C (+14°F ~ 131°F)
Storage Temperature	-20°C ~ +65°C (-4°F ~ 149°F)
Weight	85g (0.14lb.)
Protection Enclosure	IP30
Protection Terminals	IP20
Torque	0.40 Nm (3.5 lb.in.)
Terminal Wire Size	0.3-2.5 mm ² (22-14 AWG)



Connection Diagrams



Dimensions



altechcorp.com

Altech Corp.

Altech Search

Home Stock Check Distributors Information News Contact Rep/Dist Login Altech Mexico

Quality Endorsed Company ISO 9001:2008 CERTIFICATE

WEB TOOLS

- Product Crossings
- Request for Quote
- Sample Request
- Catalog Request

PRODUCT MENU

- Circuit Protection / Control
- Connectors
- Enclosures
- European Spare Parts
- Foot Switches
- Interface Modules
- Power Supplies
- Power Semi-Conductors
- Programmable Controllers
- Push Buttons & Pilot Lights
- Relays
- Sensors
- Terminal Blocks
- Tower Lights
- Timers
- Wire & Cable Management
- Home

New Products and Promotions

Serving the Automation & Control Industry Since 1984

Circuit Protection

- Circuit Protection Devices
- Busbar and Power Distribution
- Contactors, Overload Relays, Manual Motor Starters
- Motor Disconnect Switches
- European Fuses

Connectors

- Industrial Rectangular Connectors
- Pin & Sleeve Devices
- Receptacles

Foot Switches

- Foot Switches

Sensors

- Inductive Proximity Sensors

Enclosures

- Industrial Enclosures
- DIN Enclosures

Modules & Relays

- Interface Modules
- Safety Relays
- Slimline Relays

Power Supplies

- Power Supplies

Push Buttons

- 22 & 30 mm Push Buttons

DIN Rail

- DIN Rail

Wire & Cable Management

- Liquid Tight Strain Reliefs/ Corrugated Tubes
- Wire Duct

Terminal Blocks

- Din Rail Terminal Blocks
- Panel Mount Terminal Blocks
- Printed Circuit Board Terminal Blocks
- Eurostrips®
- Distribution Blocks

Miscellaneous

- Ferrules
- Custom Assembly
- Marking & Engraving Systems
- Altech Smart Relay
- Tower Lights

Altech Corporation
 35 Royal Road
 Flemington, NJ 08822-6000
 P 908.806.9400 • F 908.806.9490
 www.altechcorp.com

Altech Corp.® 120-3000
 Printed October 2012

Altech Corp.®

Serving the Automation & Control Industry since 1984



Altech Smart Relay & Digital Multi-Timer

X-ON Electronics

Largest Supplier of Electrical and Electronic Components

Click to view similar products for [Time Delay & Timing Relays](#) category:

Click to view products by [Altech](#) manufacturer:

Other Similar products are found below :

[7012GD](#) [7012L10BN](#) [7012L10DY1N](#) [7012L10FN](#) [7012L10HN](#) [7012L26K](#) [7012L8AI2LLSN](#) [7012L8BN](#) [7012L8KN](#) [7012OBILM](#)
[7012OIT](#) [7012PALL](#) [7012PDM](#) [7012PFX](#) [7022L10DN](#) [7022L8BN](#) [7022L8EN](#) [7022L8HN](#) [7022X3D](#) [7024NB](#) [7024SCT](#) [88256455](#) [H3BG-](#)
[N8H](#) [AC110V](#) [H3CRF8AC2448DC1248](#) [1423151-3](#) [1423154-8](#) [1423462-7](#) [1423618-6](#) [1423151-5](#) [1423156-7](#) [1423618-4](#) [2112AH1SDC947](#)
[2122DH1NJC467](#) [2122DH1PE](#) [2-1617805-2](#) [2-1617805-6](#) [K61C-08](#) [286XCXC-300-24D](#) [SCBRX022XXACXAC991](#) [SHS10S110A](#)
[SHS20M220A](#) [1755074-5](#) [SSC12AKA](#) [FAASPRING2](#) [2112DH3NDC50-13](#) [2122DH34NDC629](#) [2-1437479-8](#) [2-1617805-1](#) [2-1617805-3](#) [2-](#)
[1617805-7](#)