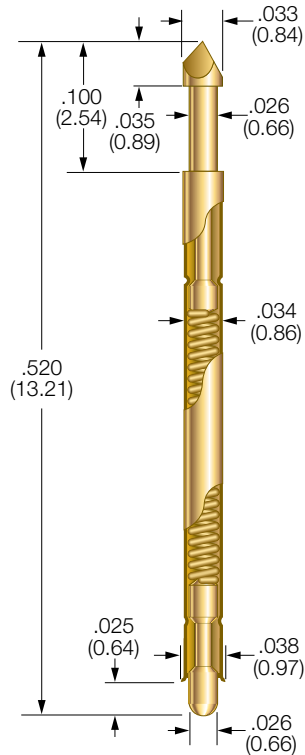
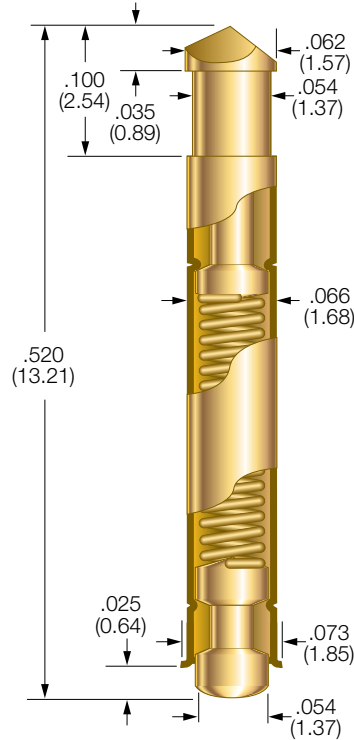


Double Ended Interconnect Probes

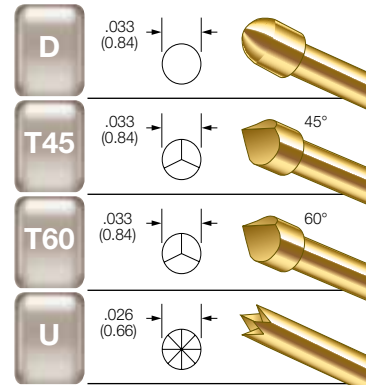
DE-50 PROBE



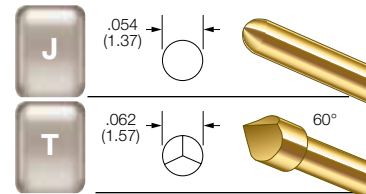
DE-100 PROBE



DE-50 PLUNGERS



DE-100 PLUNGERS



PROBE SPECIFICATIONS

Minimum Centers: .050 (1.27)
Drill Size: #64 – .0350/.0365 (0.89/0.93)
Current Rating: 3 amps continuous
Spring Force: 2.0 oz. (57g) @ .050 (1.27) travel
Typical Resistance: < 50 mΩ
Maximum Travel: .080 (2.03)
Working Travel: .050 (1.27)

MATERIALS

Barrel: Nickel/silver, gold plated
Spring: Music wire, gold plated
Plunger: Beryllium copper, gold plated
Contact: Beryllium copper, gold plated

PROBE SPECIFICATIONS

Minimum Centers: .100 (2.54)
Drill Size: 1.75mm – .067/.069 (1.70/1.75)
Current Rating: 3 amps continuous
Spring Force: 3.0 oz. (85g) @ .050 (1.27) travel
Typical Resistance: < 50 mΩ
Maximum Travel: .080 (2.03)
Working Travel: .050 (1.27)

MATERIALS

Barrel: Nickel/silver, gold plated
Spring: Music wire, gold plated
Plunger: Beryllium copper, gold plated
Contact: Beryllium copper, gold plated

HOW TO ORDER

DE-50-D-2-G
 DE-50-T45-2-G
 DE-50-T60-2-G
 DE-50-U-2-G

HOW TO ORDER

DE-100-T-3-G
 DE-100-J-3-G

Specifications subject to change without notice. Dimensions in inches (millimeters)

X-ON Electronics

Largest Supplier of Electrical and Electronic Components

Click to view similar products for [Contact Probes](#) category:

Click to view products by [Smiths Interconnect](#) manufacturer:

Other Similar products are found below :

[CT5253](#) [CT5082](#) [100039-033-958](#) [100077-003-0-0](#) [300122-031-1102](#) [R-2-RP-375](#) [S-4-C-5-G S/C](#) [300122-056-0203](#) [SS-75-B-2.4-G](#) [ICT-100-J-17-G](#) [SS-75-C-4.9-D D/C .620 OAL](#) [100165-033-952](#) [100024-002-942](#) [SS-75-E-4.9-D D/C .620 OAL](#) [SX-0-U-2.2-G D/C](#) [101740-028-948](#) [ICT-100-V8-8-G S/C](#) [ICT-100-A-8-G S/C](#) [ICT-075-B-10-G-S S/C](#) [S-2-D-8.3-G D/C](#) [S-2-D-10-G D/C](#) [GSS-19-7-G S/C OAL](#) [ICT-100-T-8-G S/C](#) [GSS-4-7-G](#) [S-0-B9-2.5-G S/C](#) [SS-40-J-2.4-G D/C](#) [S-0-A-2.2-D 660 S/C](#) [SS-50-J-3.3-D S/C](#) [S-0-V-3.7-G S/C](#) [SX-2-B-7-G D/C](#) [SX-1-U-6.6-G D/C](#) [SX-1-C-6.6-G D/C](#) [SS-75-D-4.9-D D/C .620 OAL](#) [SS-50-E-2.9-G S/C](#) [SS-40-J-1.8-G-N/L D/C](#) [SS-3-7-G S/C W/HOLE .373 OAL](#) [SS-18-7-G S/C W/HOLE .405 OAL](#) [SS-10-7-G S/C W/HOLE .373 OAL](#) [SS-1-7-G S/C W/HOLE .385 OAL](#) [SHE-5-H-18.7-G](#) [SHE-5-B-18.7-G](#) [SHE-5-A-18.7-G](#) [SHE-3-A-7-G](#) [SH-4-A-10-G S/C](#) [101057-001-952](#) [S-50C-HS-4.3-DG-S](#) [S-5-F-8-G S/C SS SPGS](#) [S-5-F-16.4-G S/C](#) [S-4-E-5-D S/C](#) [S-2-J-8.3-G D/C](#)