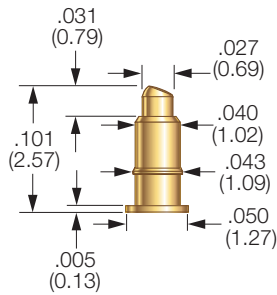




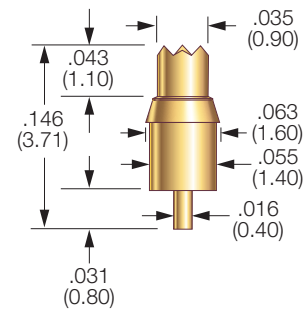
Battery & Connector Probes

Battery and Connector Probes

101582 PROBE



101438 PROBE



PROBE SPECIFICATIONS

Minimum Centers: .070 (1.78)
.050 (1.27) staggered rows
Current Rating: 20 amps continuous
(Individual probe in free air @ ambient temperature)
Spring Force: 1.7 oz. (48g) @ .030 (0.76) travel
Typical Resistance: < 10 mΩ
Maximum Travel: .030 (0.76)
Working Travel: .030 (0.76)

MATERIALS

Barrel: Brass, gold plated
Spring: Stainless steel
Plungers: Beryllium copper, gold plated

PROBE SPECIFICATIONS

Minimum Centers: .080 (2.03)
Current Rating: 1 amp continuous
(Individual probe in free air @ ambient temperature)
Spring Force: 3.5 oz. (99g) @ .020 (0.51) travel
Typical Resistance: < 10 mΩ
Maximum Travel: .039 (0.99)
Working Travel: .020 (0.51)

MATERIALS

Barrel: Brass, gold plated
Spring: Stainless steel, gold plated
Plunger: Beryllium copper, gold plated

HOW TO ORDER

101582-000

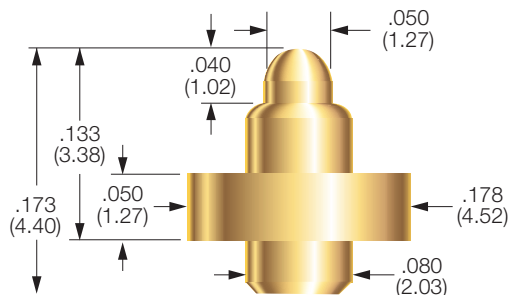
HOW TO ORDER

101438-000

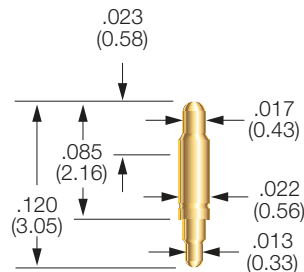
Specifications subject to change without notice. Dimensions in inches (millimeters)

Battery and Connector Probes

100671 PROBE



101111 PROBE



PROBE SPECIFICATIONS

Minimum Centers: .175 (4.45)
Current Rating: 3 amps continuous
 (Individual probe in free air @ ambient temperature)
Spring Force: 5.1 oz. (145g) @ .027 (0.69) travel
Typical Resistance: < 10 mΩ
Maximum Travel: .040 (1.02)*
Working Travel: .027 (0.69)

MATERIALS

Barrel: Nickel/silver, gold plated
Spring: Stainless steel, gold plated
Plunger: Beryllium copper, gold plated

* not recommended for use at maximum travel

HOW TO ORDER

100671-000

PROBE SPECIFICATIONS

Minimum Centers: .029 (0.75)
Current Rating: 6 amps continuous
 (Individual probe in free air @ ambient temperature)
Spring Force: 1.5 oz. (43g) @ .022 (0.55) travel
Typical Resistance: < 50 mΩ
Maximum Travel: .025 (0.58)
Working Travel: .022 (0.55)

MATERIALS

Barrel: Phosphor bronze, gold plated
Spring: Music wire, gold plated
Plunger: Phosphor bronze, gold plated

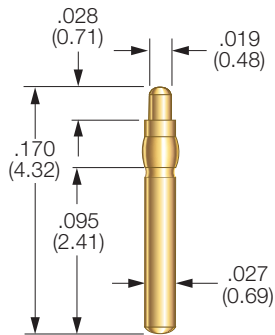
HOW TO ORDER

101111-008

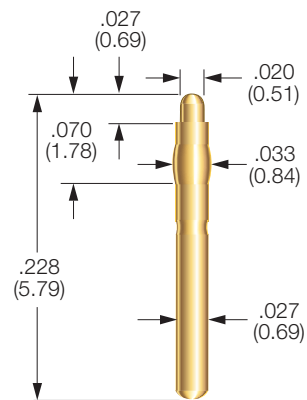
Specifications subject to change without notice. Dimensions in inches (millimeters)

Battery and Connector Probes

101506



101294 PROBE



PROBE SPECIFICATIONS

Minimum Centers: .050 (1.27)
Current Rating: 5 amps continuous
 (Individual probe in free air @ ambient temperature)
Spring Force: 1.38 oz. (39g) @ .020 (0.51) travel
Typical Resistance: < 20 mΩ
Maximum Travel: .028 (0.71)
Working Travel: .020 (0.51)

MATERIALS

Barrel: Nickel/silver, gold plated
Spring: Stainless steel, gold plated
Plunger: Beryllium copper, gold plated

PROBE SPECIFICATIONS

Minimum Centers: .050 (1.27)
Current Rating: 5 amps continuous
 (Individual probe in free air @ ambient temperature)
Spring Force: 0.9 oz. (26g) @ .020 (0.51) travel
Typical Resistance: < 20 mΩ
Maximum Travel: .027 (0.69)
Working Travel: .020 (0.51)

MATERIALS

Barrel: Nickel/silver, gold plated
Spring: Stainless steel, gold plated
Plunger: Beryllium copper, gold plated

HOW TO ORDER

101506-000

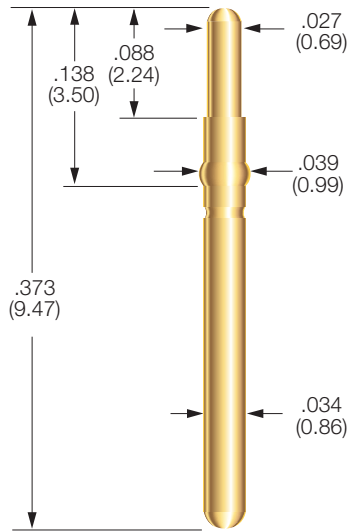
HOW TO ORDER

101294-000

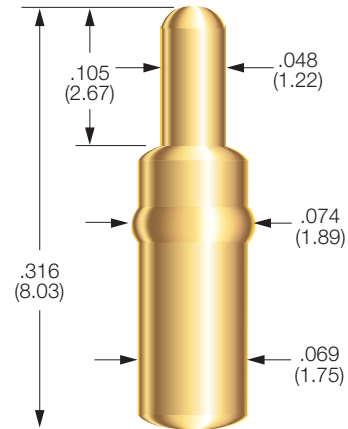
Specifications subject to change without notice. Dimensions in inches (millimeters)

Battery and Connector Probes

100803 P ROBE



101190 P ROBE



PROBE SPECIFICATIONS

Minimum Centers: .050 (1.27)
Current Rating: 5 amps continuous
 (Individual probe in free air @ ambient temperature)
Spring Force: 1.2 oz. (34g) @ .050 (1.27) travel
Typical Resistance: < 50 mΩ
Maximum Travel: .060 (1.52)
Working Travel: .050 (1.27)

MATERIALS

Barrel: Nickel/silver, gold plated
Spring: Stainless steel, gold plated
Plunger: Beryllium copper, gold plated

PROBE SPECIFICATIONS

Minimum Centers: .100 (2.54)
Current Rating: 15 amps continuous
 (Individual probe in free air @ ambient temperature)
Spring Force: 2.6 oz. (74g) @ .067 (1.70) travel
Typical Resistance: < 6 mΩ
Maximum Travel: .100 (2.54)
Working Travel: .067 (1.70)

MATERIALS

Barrel: Nickel/silver, gold plated
Spring: Stainless steel
Plungers: Beryllium copper, gold plated

HOW TO ORDER

100803-011

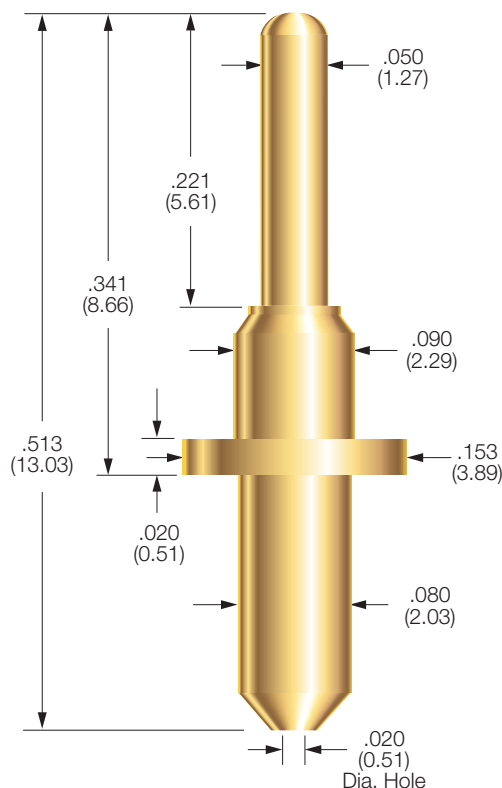
HOW TO ORDER

101190-002

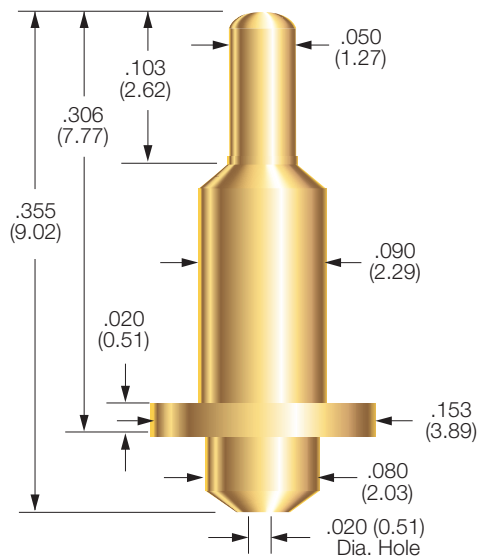
Specifications subject to change without notice. Dimensions in inches (millimeters)

Battery and Connector Probes

100606 PROBE



100891 PROBE



PROBE SPECIFICATIONS

Minimum Centers: .175 (4.45)
Current Rating: 15 amps continuous
 (Individual probe in free air @ ambient temperature)
Spring Force: 6.2 oz. (176g) @ .060 (1.52) travel
Typical Resistance: < 10 mΩ
Maximum Travel: .090 (2.29)
Working Travel: .060 (1.52)

MATERIALS

Barrel: Nickel/silver, gold plated
Spring: Stainless steel, passivated
Plunger: Beryllium copper, gold plated
Bias Ball: Stainless steel

PROBE SPECIFICATIONS

Minimum Centers: .175 (4.45)
Current Rating: 15 amps continuous
 (Individual probe in free air @ ambient temperature)
Spring Force: 9.0 oz. (256g) @ .067 (1.70) travel
Typical Resistance: < 5 mΩ
Maximum Travel: .100 (2.54)
Working Travel: .067 (1.70)

MATERIALS

Barrel: Nickel/silver, gold plated
Spring: Stainless steel, gold plated
Plunger: Beryllium copper, gold plated

HOW TO ORDER

100606-000

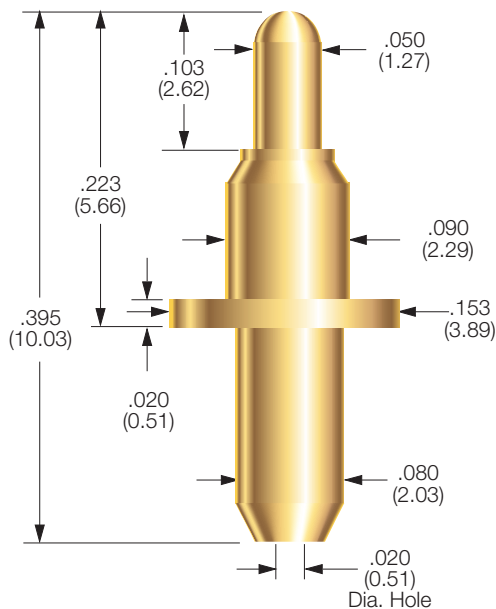
Specifications subject to change without notice. Dimensions in inches (millimeters)

HOW TO ORDER

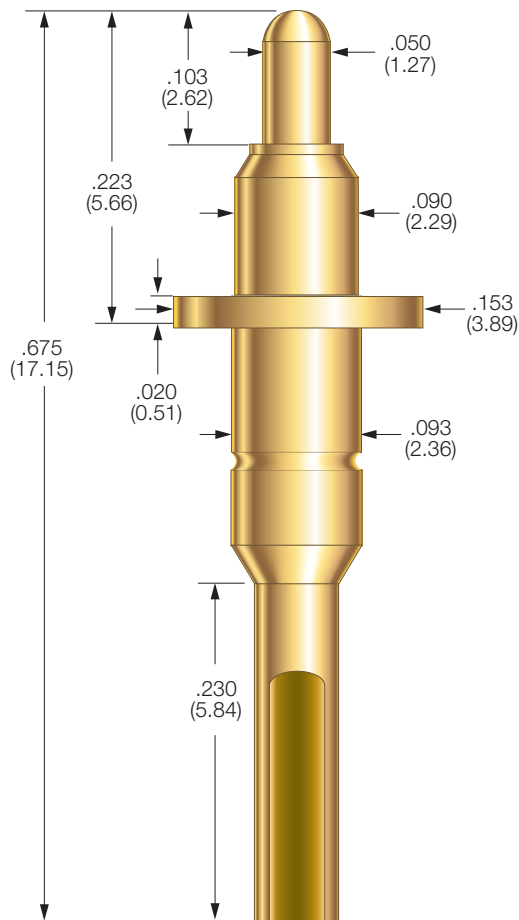
100891-002

Battery and Connector Probes

100410 PROBE



101119 PROBE



PROBE SPECIFICATIONS

Minimum Centers: .175 (4.45)
Current Rating: 15 amps continuous
 (Individual probe in free air @ ambient temperature)
Spring Force: 6.2 oz. (176g) @ .060 (1.52) travel
Typical Resistance: < 5 mΩ
Maximum Travel: .090 (2.29)
Working Travel: .060 (1.52)

MATERIALS

Barrel: Nickel/silver, gold plated
Spring: Stainless steel
Plunger: Beryllium copper, gold plated
Bias Ball: Stainless steel

HOW TO ORDER

100410-005

PROBE SPECIFICATIONS

Minimum Centers: .175 (4.45)
Current Rating: 15 amps continuous
 (Individual probe in free air @ ambient temperature)
Spring Force: 6.2 oz. (176g) @ .060 (1.52) travel
Typical Resistance: < 10 mΩ
Maximum Travel: .090 (2.29)
Working Travel: .060 (1.52)

MATERIALS

Barrel: Nickel/silver, gold plated
Spring: Stainless steel
Plunger: Beryllium copper, gold plated
Bias Ball: Stainless steel
Receptacle: Nickel/silver, gold plated

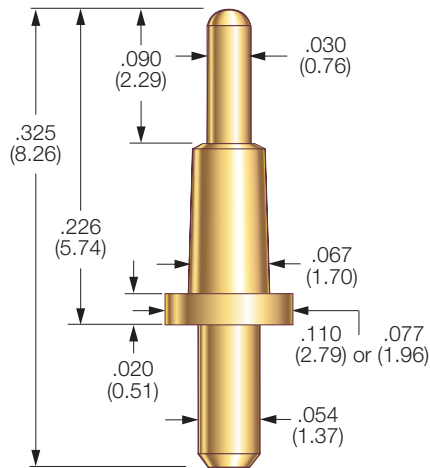
HOW TO ORDER

101119-001

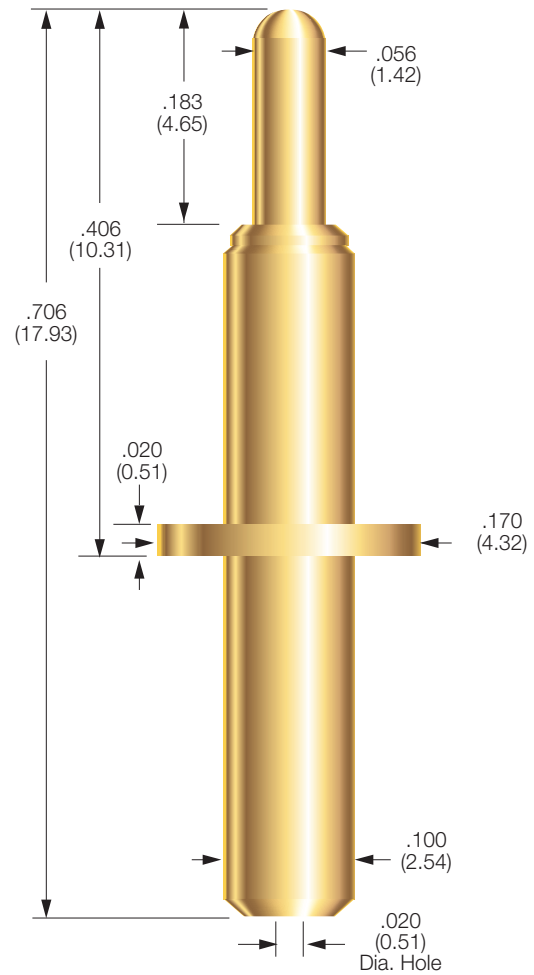
Specifications subject to change without notice. Dimensions in inches (millimeters)

Battery and Connector Probes

101050 PROBE



101247 PROBE



PROBE SPECIFICATIONS

Minimum Centers: .125 (3.18)
Current Rating: 10 amps continuous
 (Individual probe in free air @ ambient temperature)
Spring Force: 2.3 oz. (65g) @ .060 (1.52) travel
Typical Resistance: < 10 mΩ
Maximum Travel: .090 (2.29)
Working Travel: .060 (1.52)

MATERIALS

Barrel: Nickel/silver, gold plated
Spring: Stainless steel, passivated
Plunger: Beryllium copper, gold plated
Ball: Stainless steel, gold plated

PROBE SPECIFICATIONS

Minimum Centers: .200 (5.08)
Current Rating: 20 amps continuous
 (Individual probe in free air @ ambient temperature)
Spring Force: 11.7 oz. (256g) @ .147 (3.73) travel
Typical Resistance: < 10 mΩ
Maximum Travel: .180 (4.57)
Working Travel: .147 (3.73)

MATERIALS

Barrel: Brass, gold plated
Spring: Stainless steel, passivated
Plunger: Beryllium copper, gold plated

HOW TO ORDER

101050-003 for .110 dia. flange
 101050-005 for .077 dia. flange

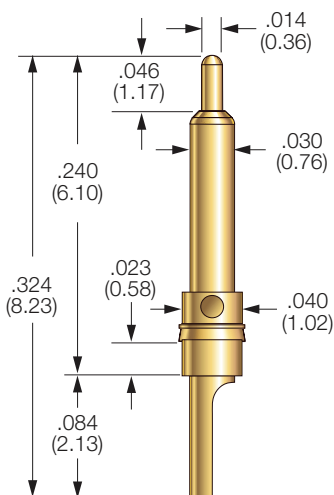
Specifications subject to change without notice. Dimensions in inches (millimeters)

HOW TO ORDER

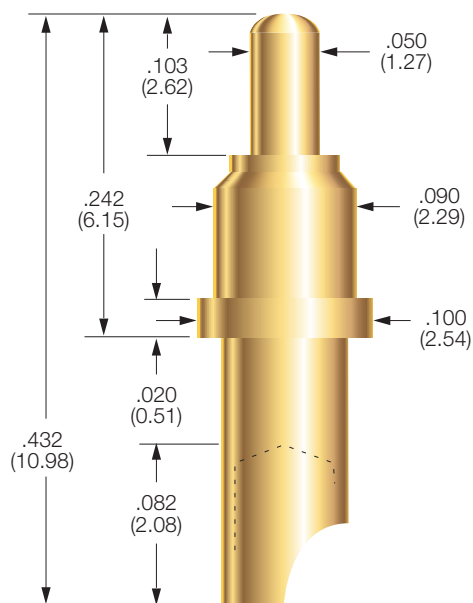
101247-001

Battery and Connector Probes

101679 PROBE



101628 PROBE



PROBE SPECIFICATIONS

Minimum Centers: .055 (1.40)
Current Rating: 3 amps continuous
 (Individual probe in free air @ ambient temperature)
Spring Force: 1.3 oz. (37g) @ .023 (0.58) travel
Typical Resistance: < 25 mΩ
Maximum Travel: .023 (0.58)
Working Travel: .023 (0.58)

MATERIALS

Barrel: Brass, gold plated
Spring: Stainless steel
Plunger: Brass, gold plated

PROBE SPECIFICATIONS

Minimum Centers: .125 (3.18)
Current Rating: 25 amps continuous
 (Individual probe in free air @ ambient temperature)
Spring Force: 5.3 oz. (150g) @ .040 (1.02) travel
Typical Resistance: < 5 mΩ
Maximum Travel: .040 (1.02)
Working Travel: .040 (1.02)

MATERIALS

Barrel: Brass, gold plated
Spring: Music wire, nickel plated
Plunger: Beryllium copper, gold plated
Ball: Stainless steel

HOW TO ORDER

101679-000

HOW TO ORDER

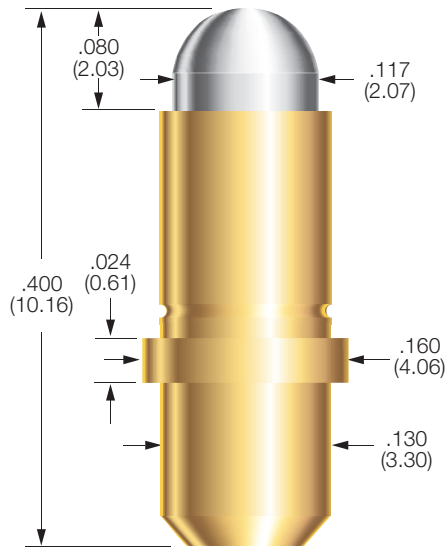
101628-000

Specifications subject to change without notice. Dimensions in inches (millimeters)

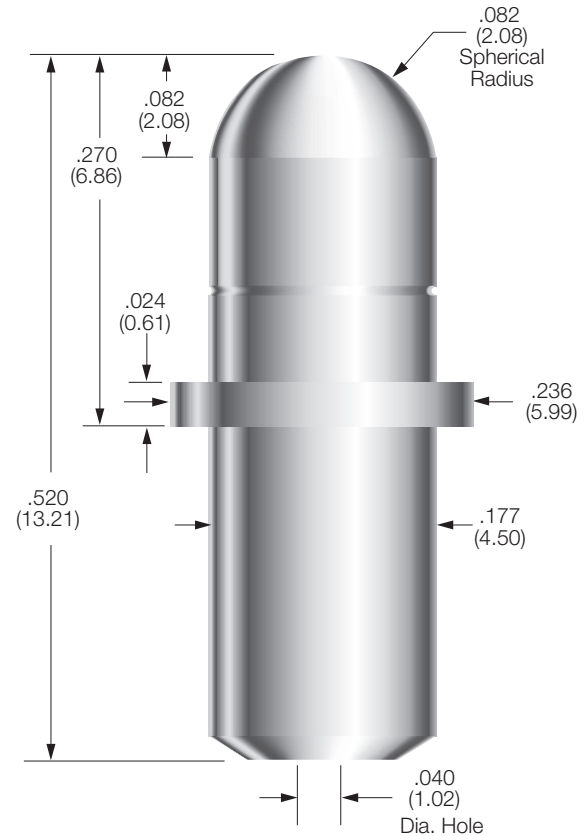


Battery and Connector Probes

101402 PROBE



100804 PROBE



PROBE SPECIFICATIONS

Minimum Centers: .175 (4.45)
Current Rating: 20 amps continuous
 (Individual probe in free air @ ambient temperature)
Spring Force: 9.7 oz. (275g) @ .050 (1.27) travel
Typical Resistance: < 10 mΩ
Maximum Travel: .080 (2.03)
Working Travel: .050 (1.27)

MATERIALS

Barrel: Nickel silver, gold plated
Spring: Stainless steel, passivated
Plunger: Brass, Duralloy™

PROBE SPECIFICATIONS

Minimum Centers: .250 (6.35)
Current Rating: 30 amps continuous
 (Individual probe in free air @ ambient temperature)
Spring Force: 8.9 oz. (252g) @ .054 (1.37) travel
Typical Resistance: < 5 mΩ
Maximum Travel: .082 (2.08)
Working Travel: .054 (1.37)

MATERIALS

Barrel: Brass, Duralloy™ plated
Spring: Stainless steel, passivated
Plunger: Brass, Duralloy™ plated

HOW TO ORDER

101402-000

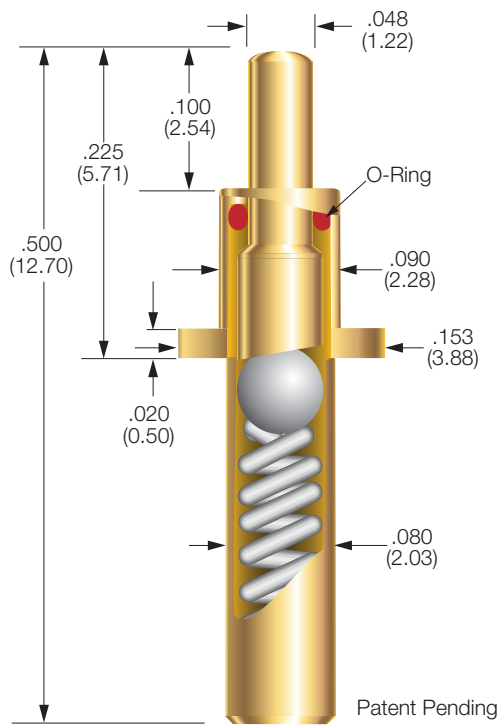
HOW TO ORDER

100804-002

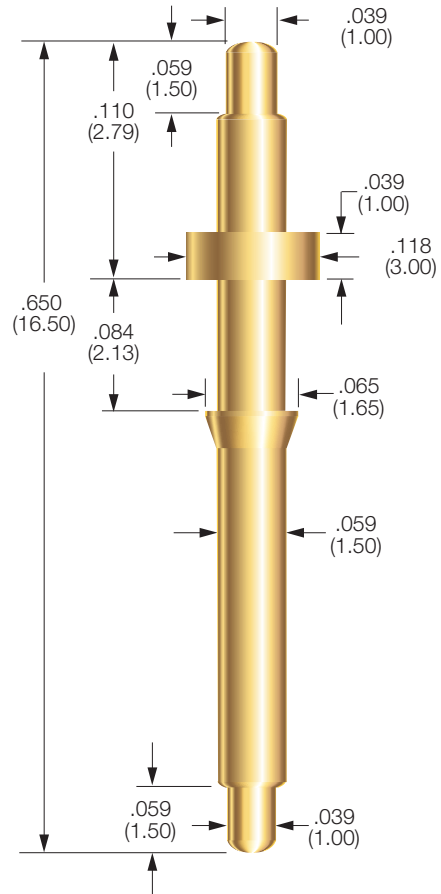
Specifications subject to change without notice. Dimensions in inches (millimeters)

Battery and Connector Probes

101602 ENVIRONMENTALLY SEALED PROBE



101549 PROBE



PROBE SPECIFICATIONS

Minimum Centers: .175 (4.44)
Current Rating: 10 amps with 80° C rise
 (Individual probe in free air @ ambient temperature)
Typical Resistance: < 10 mΩ
Spring Force: 6.7 oz. (190 g) @ .070 (1.77) travel
Maximum Travel: .100 (2.54)
Working Travel: .070 (1.77)

MATERIALS

Barrel: Nickel silver, gold plated
Plunger: Full-hard beryllium copper, gold plated
Spring: Stainless steel
Bias Ball: Stainless steel
O-ring: Silicone
Cap & Plug: Stainless steel, gold plated

HOW TO ORDER

101602-000

PROBE SPECIFICATIONS

Minimum Centers: .125 (3.18)
Current Rating: 3 amps with 80° C rise
 (Individual probe in free air @ ambient temperature)
Typical Resistance: < 50 mΩ
Spring Force: 3.5 oz. (100 g) @ .039 (1.00) travel, each end
Maximum Travel: .059 (1.50) travel, each end
Working Travel: .039 (1.00) travel, each end

MATERIALS

Barrel: Nickel silver, gold plated
Plunger: Full-hard beryllium copper, gold plated
Spring: Stainless steel

HOW TO ORDER

101549-000

Specifications subject to change without notice. Dimensions in inches (millimeters)



GLOBAL SALES OFFICES

Customer Service

Kansas City, KS	913.342.5544	China	86.512.6273.1170
Sunnyvale, CA	408.834.1436	Singapore	65.6846.1655

Sales and Applications Engineering

Kansas City, KS	913.342.5544	France	33.617.93.1564
Sunnyvale, CA	408.834.1419	Germany	49.173.669.8335
Dallas, TX	972.899.2860	Italy	39.347.222.3420
Gilbert, AZ	480.682.6200	Israel	39.347.222.3420
Boston, MA	508.222.1132	United Kingdom	44.1869.245630
Southern CA	951.837.5385		
Malaysia	65.6846.1655	Philippines	63.92855.26843
Singapore	65.6846.1655	Korea	82.10.4939.3269
Taiwan	886.936.857.752	China	86.512.6273.1069

5101 Richland Ave., Kansas City, KS 66106

Phone: 913.342.5544 • Fax: 913.342.7043

E-mail: info@idinet.com

www.idinet.com

© 2011 Interconnect Devices, Inc.

INNOVATORS IN INTERCONNECT TECHNOLOGY

www.idinet.com

X-ON Electronics

Largest Supplier of Electrical and Electronic Components

Click to view similar products for [Contact Probes](#) category:

Click to view products by [Smiths Interconnect](#) manufacturer:

Other Similar products are found below :

[CT5253](#) [CT5082](#) [100039-033-958](#) [100077-003-0-0](#) [300122-031-1102](#) [R-2-RP-375](#) [S-4-C-5-G S/C](#) [300122-056-0203](#) [SS-75-B-2.4-G](#) [ICT-100-J-17-G](#) [SS-75-C-4.9-D D/C .620 OAL](#) [100165-033-952](#) [100024-002-942](#) [SS-75-E-4.9-D D/C .620 OAL](#) [SX-0-U-2.2-G D/C](#) [101740-028-948](#) [ICT-100-V8-8-G S/C](#) [ICT-100-A-8-G S/C](#) [ICT-075-B-10-G-S S/C](#) [S-2-D-8.3-G D/C](#) [S-2-D-10-G D/C](#) [GSS-19-7-G S/C OAL](#) [ICT-100-T-8-G S/C](#) [GSS-4-7-G](#) [S-0-B9-2.5-G S/C](#) [SS-40-J-2.4-G D/C](#) [S-0-A-2.2-D 660 S/C](#) [SS-50-J-3.3-D S/C](#) [S-0-V-3.7-G S/C](#) [SX-2-B-7-G D/C](#) [SX-1-U-6.6-G D/C](#) [SX-1-C-6.6-G D/C](#) [SS-75-D-4.9-D D/C .620 OAL](#) [SS-50-E-2.9-G S/C](#) [SS-40-J-1.8-G-N/L D/C](#) [SS-3-7-G S/C W/HOLE .373 OAL](#) [SS-18-7-G S/C W/HOLE .405 OAL](#) [SS-10-7-G S/C W/HOLE .373 OAL](#) [SS-1-7-G S/C W/HOLE .385 OAL](#) [SHE-5-H-18.7-G](#) [SHE-5-B-18.7-G](#) [SHE-5-A-18.7-G](#) [SHE-3-A-7-G](#) [SH-4-A-10-G S/C](#) [101057-001-952](#) [S-50C-HS-4.3-DG-S](#) [S-5-F-8-G S/C SS SPGS](#) [S-5-F-16.4-G S/C](#) [S-4-E-5-D S/C](#) [S-2-J-8.3-G D/C](#)