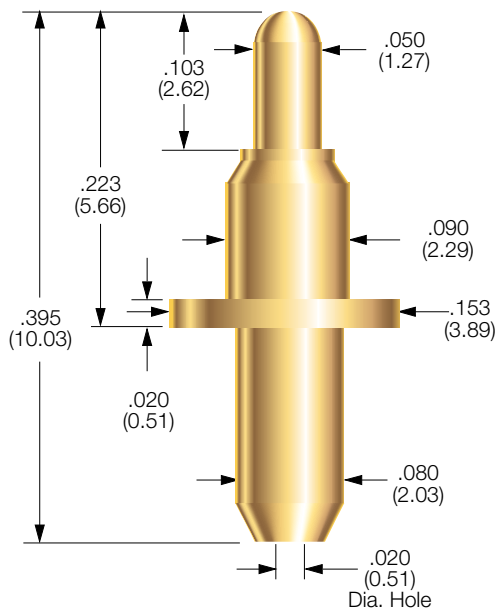
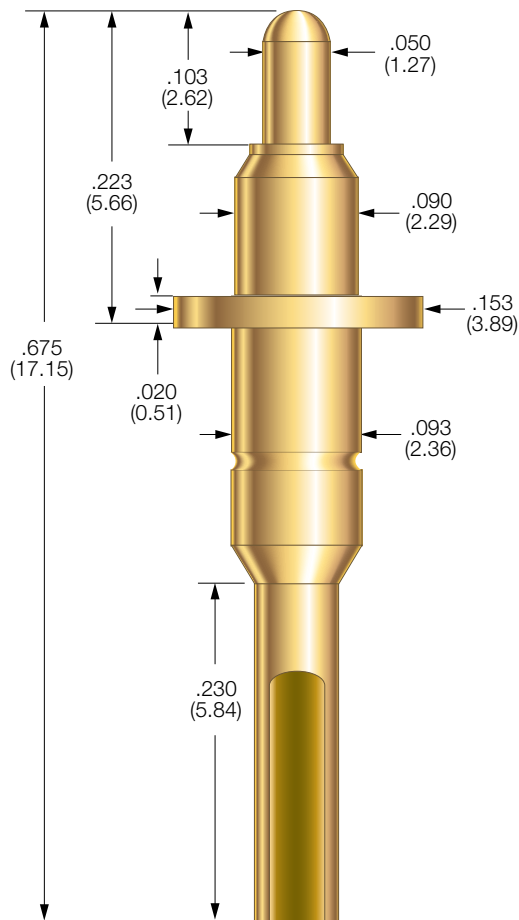


Battery and Connector Probes

100410 PROBE



101119 PROBE



PROBE SPECIFICATIONS

Minimum Centers: .175 (4.45)
Current Rating: 15 amps continuous
 (Individual probe in free air @ ambient temperature)
Spring Force: 6.2 oz. (176g) @ .060 (1.52) travel
Typical Resistance: < 5 mΩ
Maximum Travel: .090 (2.29)
Working Travel: .060 (1.52)

MATERIALS

Barrel: Nickel/silver, gold plated
Spring: Stainless steel
Plunger: Beryllium copper, gold plated
Bias Ball: Stainless steel

PROBE SPECIFICATIONS

Minimum Centers: .175 (4.45)
Current Rating: 15 amps continuous
 (Individual probe in free air @ ambient temperature)
Spring Force: 6.2 oz. (176g) @ .060 (1.52) travel
Typical Resistance: < 10 mΩ
Maximum Travel: .090 (2.29)
Working Travel: .060 (1.52)

MATERIALS

Barrel: Nickel/silver, gold plated
Spring: Stainless steel
Plunger: Beryllium copper, gold plated
Bias Ball: Stainless steel
Receptacle: Nickel/silver, gold plated

HOW TO ORDER

100410-005

HOW TO ORDER

101119-001

Specifications subject to change without notice. Dimensions in inches (millimeters)

X-ON Electronics

Largest Supplier of Electrical and Electronic Components

Click to view similar products for [Contact Probes](#) category:

Click to view products by [Smiths Interconnect](#) manufacturer:

Other Similar products are found below :

[CT5253](#) [CT5082](#) [100039-033-958](#) [100077-003-0-0](#) [300122-031-1102](#) [R-2-RP-375](#) [S-4-C-5-G S/C](#) [300122-056-0203](#) [SS-75-B-2.4-G](#) [ICT-100-J-17-G](#) [SS-75-C-4.9-D D/C .620 OAL](#) [100165-033-952](#) [100024-002-942](#) [SS-75-E-4.9-D D/C .620 OAL](#) [SX-0-U-2.2-G D/C](#) [101740-028-948](#) [ICT-100-V8-8-G S/C](#) [ICT-075-B-10-G-S S/C](#) [S-2-D-8.3-G D/C](#) [S-2-D-10-G D/C](#) [GSS-19-7-G S/C OAL](#) [ICT-100-T-8-G S/C](#) [GSS-4-7-G S-0-B9-2.5-G S/C](#) [SS-40-J-2.4-G D/C](#) [S-0-A-2.2-D 660 S/C](#) [SS-50-J-3.3-D S/C](#) [S-0-V-3.7-G S/C](#) [SX-2-B-7-G D/C](#) [SX-1-U-6.6-G D/C](#) [SX-1-C-6.6-G D/C](#) [SS-75-D-4.9-D D/C .620 OAL](#) [SS-50-E-2.9-G S/C](#) [SS-40-J-1.8-G-N/L D/C](#) [SS-3-7-G S/C W/HOLE .373 OAL](#) [SS-18-7-G S/C W/HOLE .405 OAL](#) [SS-10-7-G S/C W/HOLE .373 OAL](#) [SS-1-7-G S/C W/HOLE .385 OAL](#) [SHE-5-H-18.7-G](#) [SHE-5-B-18.7-G](#) [SHE-5-A-18.7-G](#) [SHE-3-A-7-G](#) [SH-4-A-10-G S/C](#) [101057-001-952](#) [S-50C-HS-4.3-DG-S](#) [S-5-F-8-G S/C SS SPGS](#) [S-5-F-16.4-G S/C](#) [S-4-E-5-D S/C](#) [S-2-J-8.3-G D/C](#) [S-2-E-10-G D/C](#)