
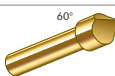
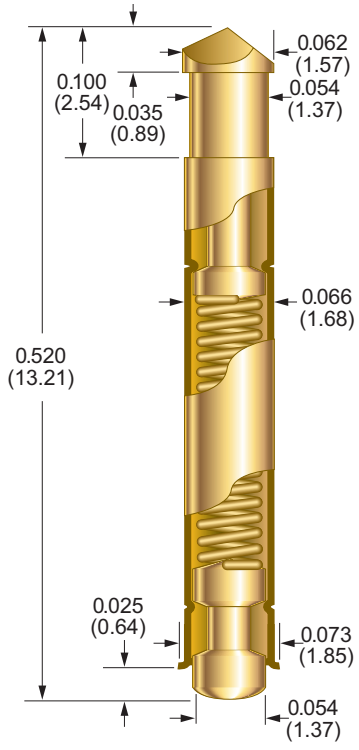


► **DE-100 DOUBLE-ENDED SERIES**

0.100 (2.54) Centers

BECU TIPS	DIAMETER
 J	0.054 (1.37)
 T	0.062 (1.57)



PROBE SPECIFICATIONS

Minimum Centers	0.100 (2.54)
Drill Size	1.75 mm – 0.067/0.069 (1.70/1.75)
Current Rating	3 A continuous
Spring Force	3.00 oz (85 g) @ 0.050 (1.27) travel
Typical Resistance	< 50 mΩ
Maximum Travel	0.080 (2.03)
Working Travel	0.050 (1.27)

MATERIALS

Barrel	Nickel/silver, gold plated
Spring	Music wire, gold plated
Plunger	Beryllium copper, gold plated

HOW TO ORDER

DE - 100 - J - 3 - G	
	1 2 3 4 5
1 ► SERIES	DE
2 ► SIZE	100
3 ► TIP STYLE	J, T
4 ► SPRING FORCE	3 oz.
5 ► PLUNGER PLATING	G GOLD

X-ON Electronics

Largest Supplier of Electrical and Electronic Components

Click to view similar products for [Contact Probes](#) category:

Click to view products by [Smiths Interconnect](#) manufacturer:

Other Similar products are found below :

[CT5253](#) [CT5082](#) [100039-033-958](#) [100077-003-0-0](#) [300122-031-1102](#) [R-2-RP-375](#) [S-4-C-5-G S/C](#) [300122-056-0203](#) [SS-75-B-2.4-G](#) [SS-75-C-4.9-D D/C .620 OAL](#) [100165-033-952](#) [100024-002-942](#) [SS-75-E-4.9-D D/C .620 OAL](#) [SX-0-U-2.2-G D/C](#) [101740-028-948](#) [ICT-100-V8-8-G S/C](#) [ICT-075-B-10-G-S S/C](#) [S-2-D-8.3-G D/C](#) [S-2-D-10-G D/C](#) [GSS-19-7-G S/C OAL](#) [ICT-100-T-8-G S/C](#) [GSS-4-7-G](#) [S-0-B9-2.5-G S/C](#) [SS-40-J-2.4-G D/C](#) [S-0-A-2.2-D 660 S/C](#) [SS-50-J-3.3-D S/C](#) [S-0-V-3.7-G S/C](#) [SX-2-B-7-G D/C](#) [SX-1-U-6.6-G D/C](#) [SX-1-C-6.6-G D/C](#) [SS-75-D-4.9-D D/C .620 OAL](#) [SS-50-E-2.9-G S/C](#) [SS-40-J-1.8-G-N/L D/C](#) [SS-3-7-G S/C W/HOLE .373 OAL](#) [SS-18-7-G S/C W/HOLE .405 OAL](#) [SS-10-7-G S/C W/HOLE .373 OAL](#) [SS-1-7-G S/C W/HOLE .385 OAL](#) [SHE-5-H-18.7-G](#) [SHE-5-B-18.7-G](#) [SHE-5-A-18.7-G](#) [SHE-3-A-7-G](#) [SH-4-A-10-G S/C](#) [101057-001-952](#) [S-50C-HS-4.3-DG-S](#) [S-5-F-8-G S/C SS SPGS](#) [S-5-F-16.4-G S/C](#) [S-4-E-5-D S/C](#) [S-2-J-8.3-G D/C](#) [S-2-E-10-G D/C](#) [S-2-C-10-D D/C](#)