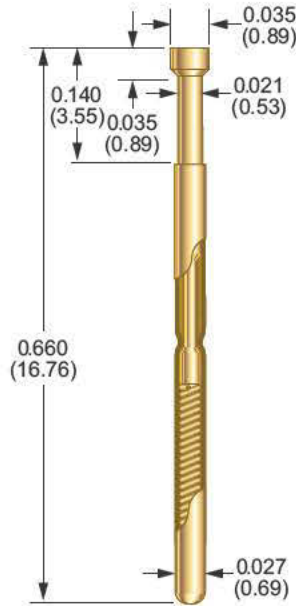


## ► S-0 SERIES

0.050 (1.27) Centers

For R-0 Series Receptacles see pg. 53

BECU TIPS	DIAMETER
<b>A</b>	0.035 (0.89)
<b>B</b>	0.021 (0.53)
<b>B9</b>	0.021 (0.53)
<b>D</b>	0.035 (0.89)
<b>E</b>	0.035 (0.89)
<b>ES</b>	0.046 (1.17)
<b>H</b>	0.035 (0.89)
<b>J</b>	0.021 (0.53)
<b>JS</b>	0.016 (0.41) 0.021 (0.53)
<b>T4</b>	0.035 (0.89)
<b>U</b>	0.021 (0.53)
<b>UT</b>	0.011 (0.28) 0.021 (0.53)
<b>V</b>	0.035 (0.89)



### PROBE SPECIFICATIONS

Minimum Centers	0.050 (1.27)
Current Rating	3 A continuous
Spring Force	2.20 oz (62 g), 2.50 oz (71 g), or 3.70 oz (105 g) @ 0.070 (1.78) travel
Preload Force	0.60 oz (17 g) (2.20 oz spring/BeCu) 0.60 oz (17 g) (2.50 oz spring/stainless steel) 1.90 oz (54 g) (3.70 oz spring/music wire)
Typical Resistance	< 35 mΩ
Maximum Travel	0.100 (2.54)
Working Travel	0.070 (1.78)

### MATERIALS

Barrel	Nickel/silver, gold plated
Spring	Beryllium copper, music wire, or stainless steel, gold plated
Plunger	Beryllium copper, gold plated over nickel, or Duralloy™

## HOW TO ORDER

	S	0	A	2.2	G
	1	2	3	4	5
<b>1</b> ► SERIES	S				
<b>2</b> ► SIZE	0				
<b>3</b> ► TIP STYLE	A, B, B9, D, E, ES, H, J, JS, T4, U, UT, V				
<b>4</b> ► SPRING FORCE	2.2 OZ. 2.5 OZ. 3.7 OZ.				
<b>5</b> ► PLUNGER PLATING	G GOLD D DURALLOY™				

## ► ICT-50C & S-50C SERIES

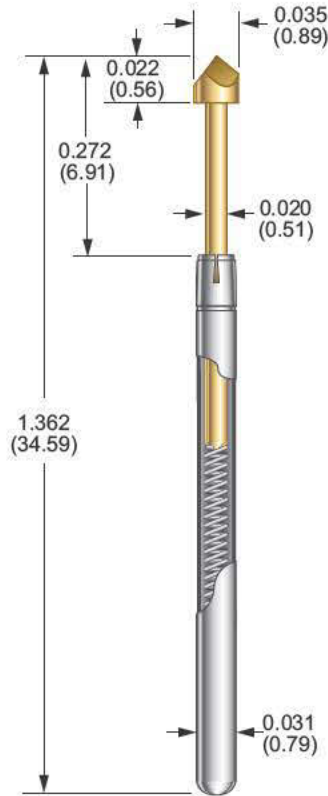
0.050 (1.27) Centers

For R-50C Series Receptacle see pg. 54

For R-50C-J-DE Wireless Series Receptacles see pg. 55

BECU TIPS	DIAMETER
<b>A</b>	0.035 (0.89)
<b>J</b>	0.020 (0.51)
<b>V8</b>	0.035 (0.89) 8 Pts.

STEEL TIPS	DIAMETER
<b>B</b>	0.020 (0.51)
<b>HS</b>	0.020 (0.51)
<b>M</b>	0.020 (0.51)
<b>SP</b>	0.020 (0.51)
<b>SW</b>	0.020 (0.51)
<b>T</b>	0.029 (0.74)
<b>TL</b>	0.035 (0.89)
<b>Z</b>	0.020 (0.51)



### PROBE SPECIFICATIONS

Minimum Centers	0.050 (1.27)
Current Rating	3 A continuous
Spring Force	4.30 oz (122 g) or 5.60 oz (159 g) @ 0.170 (4.32) travel
Preload Force	1.90 oz (54 g) (4.30 oz spring/stainless steel) 2.10 oz (60 g) (5.60 oz spring/music wire)
Typical Resistance	ICT-50C: < 20 mΩ S-50C: < 25 mΩ
Maximum Travel	0.250 (6.35)
Working Travel	0.170 (4.32)

### MATERIALS

Barrel	Nickel/silver, gold lined
Spring	Music wire, nickel plated, or stainless steel
Plunger	Beryllium copper, or steel, gold plated over nickel

## HOW TO ORDER

**ICT - 50C - T - 5.6 - DG - S**  
1      2      3      4      5      6

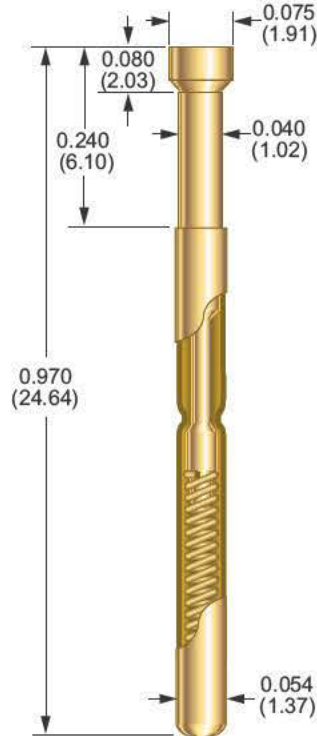
<b>1</b> ► SERIES	ICT <sup>(1)</sup> S
<b>2</b> ► SIZE	50C
<b>3</b> ► TIP STYLE	A, B, HS, J, M, SP, SW, T, TL, V8, Z
<b>4</b> ► SPRING FORCE	4.3 OZ. 5.6 OZ.
<b>5</b> ► PLUNGER PLATING	DG DURAGOLD™
<b>6</b> ► STEEL PLUNGER OPTION	S STEEL

## ► S-2 SERIES

0.100 (2.54) Centers

For R-2 Series Receptacles see pg. 63

BECU TIPS	DIAMETER
<b>A</b>	0.075 (1.91)
<b>B</b>	0.040 (1.02)
<b>C</b>	0.040 (1.02)
<b>D</b>	0.050 (1.27)
<b>E</b>	0.075 (1.91)
<b>F</b>	0.075 (1.91)
<b>G</b>	0.040 (1.02)
<b>H</b>	0.075 (1.91)
<b>J</b>	0.040 (1.02)
<b>K</b>	0.075 (1.91)
<b>T</b>	0.075 (1.91)
<b>V</b>	0.060 (1.52)
<b>X</b>	0.060 (1.52)



### PROBE SPECIFICATIONS

<b>Minimum Centers</b>	0.100 (2.54)
<b>Current Rating</b>	3 A continuous
<b>Spring Force</b>	4.00 oz (113 g), 7.00 oz (198 g), 8.30 oz (235 g), or 10.00 oz (283 g) @ 0.100 (2.54) travel
<b>Preload Force</b>	1.60 oz (45 g) (4.00 oz spring/BeCu) 2.90 oz (82 g) (7.00 oz spring/stainless steel) 3.30 oz (93 g) (8.30 oz spring/music wire) 3.90 oz (110 g) (10.00 oz spring/music wire)
<b>Typical Resistance</b>	< 35 mΩ
<b>Maximum Travel</b>	0.160 (4.06)
<b>Working Travel</b>	0.100 (2.54)

### MATERIALS

<b>Barrel</b>	Nickel/silver, gold plated
<b>Spring</b>	Beryllium copper, precious metal plated, music wire, or stainless steel, gold plated
<b>Plunger</b>	Beryllium copper, gold plated over nickel, or Duralloy™

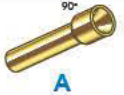






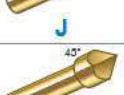

## HOW TO ORDER

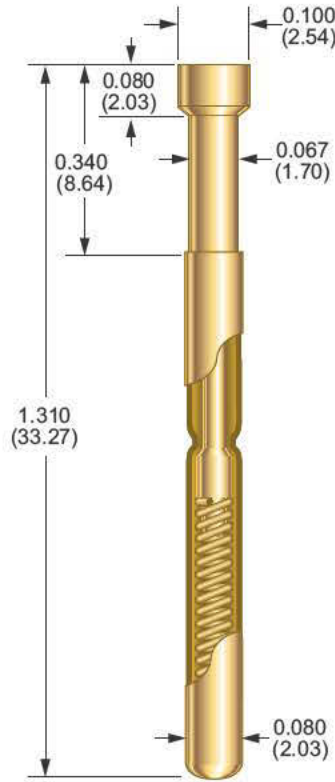
	S	-	2	-	A	-	4	-	G
	1	2	3	4	5				
<b>1</b> ► SERIES	S								
<b>2</b> ► SIZE	2								
<b>3</b> ► TIP STYLE	A, B, C, D, E, F, G, H, J, K, T, V, X								
<b>4</b> ► SPRING FORCE	4 OZ.				7 OZ.				
	8.3 OZ.				10 OZ.				
<b>5</b> ► PLUNGER PLATING	G GOLD				D DURALLOY™				

► **S-3 SERIES**

0.125 (3.18) Centers

For R-3 Series Receptacles see pg. 66

STEEL TIPS	DIAMETER
 <b>A</b>	0.100 (2.54)
 <b>B</b>	0.067 (1.70)
 <b>C</b>	0.067 (1.70)
 <b>E</b>	0.100 (2.54)
 <b>F</b>	0.100 (2.54)
 <b>G</b>	0.067 (1.70)
 <b>H</b>	0.100 (2.54)
 <b>J</b>	0.067 (1.70)
 <b>K</b>	0.100 (2.54)



**PROBE SPECIFICATIONS**

<b>Minimum Centers</b>	0.125 (3.18)
<b>Current Rating</b>	5 A continuous
<b>Spring Force</b>	4.00 oz (113 g) or 7.00 oz (198 g) @ 0.170 (4.32) travel
<b>Preload Force</b>	1.80 oz (51 g) (4.00 oz spring) 2.90 oz (82 g) (7.00 oz spring)
<b>Typical Resistance</b>	< 20 mΩ
<b>Maximum Travel</b>	0.250 (6.35)
<b>Working Travel</b>	0.170 (4.32)

**MATERIALS**

<b>Barrel</b>	Nickel/silver, gold plated
<b>Spring</b>	Stainless steel, gold plated
<b>Plunger</b>	Beryllium copper, gold plated over nickel, or Duralloy™

**HOW TO ORDER**

S - 3 - A - 4 - G	
1 2 3 4 5	
<b>1</b> ► SERIES	S
<b>2</b> ► SIZE	3
<b>3</b> ► TIP STYLE	A, B, C, E, F, G, H, J, K
<b>4</b> ► SPRING FORCE	4 oz. 7 oz.
<b>5</b> ► PLUNGER PLATING	G GOLD D DURALLOY™



## X-ON Electronics

Largest Supplier of Electrical and Electronic Components

*Click to view similar products for [Contact Probes](#) category:*

*Click to view products by [Smiths Interconnect](#) manufacturer:*

Other Similar products are found below :

[CT5253](#) [CT5082](#) [100039-033-958](#) [100077-003-0-0](#) [300122-031-1102](#) [R-2-RP-375](#) [S-4-C-5-G S/C](#) [300122-056-0203](#) [SS-75-B-2.4-G](#) [ICT-100-J-17-G](#) [SS-75-C-4.9-D D/C .620 OAL](#) [100165-033-952](#) [100024-002-942](#) [SS-75-E-4.9-D D/C .620 OAL](#) [SX-0-U-2.2-G D/C](#) [101740-028-948](#) [ICT-100-V8-8-G S/C](#) [ICT-100-A-8-G S/C](#) [ICT-075-B-10-G-S S/C](#) [S-2-D-8.3-G D/C](#) [S-2-D-10-G D/C](#) [GSS-19-7-G S/C OAL](#) [ICT-100-T-8-G S/C](#) [GSS-4-7-G](#) [S-0-B9-2.5-G S/C](#) [SS-40-J-2.4-G D/C](#) [S-0-A-2.2-D 660 S/C](#) [SS-50-J-3.3-D S/C](#) [S-0-V-3.7-G S/C](#) [SX-2-B-7-G D/C](#) [SX-1-U-6.6-G D/C](#) [SX-1-C-6.6-G D/C](#) [SS-75-D-4.9-D D/C .620 OAL](#) [SS-50-E-2.9-G S/C](#) [SS-40-J-1.8-G-N/L D/C](#) [SS-3-7-G S/C W/HOLE .373 OAL](#) [SS-18-7-G S/C W/HOLE .405 OAL](#) [SS-10-7-G S/C W/HOLE .373 OAL](#) [SS-1-7-G S/C W/HOLE .385 OAL](#) [SHE-5-H-18.7-G](#) [SHE-5-B-18.7-G](#) [SHE-5-A-18.7-G](#) [SHE-3-A-7-G](#) [SH-4-A-10-G S/C](#) [101057-001-952](#) [S-50C-HS-4.3-DG-S](#) [S-5-F-8-G S/C SS SPGS](#) [S-5-F-16.4-G S/C](#) [S-4-E-5-D S/C](#) [S-2-J-8.3-G D/C](#)