

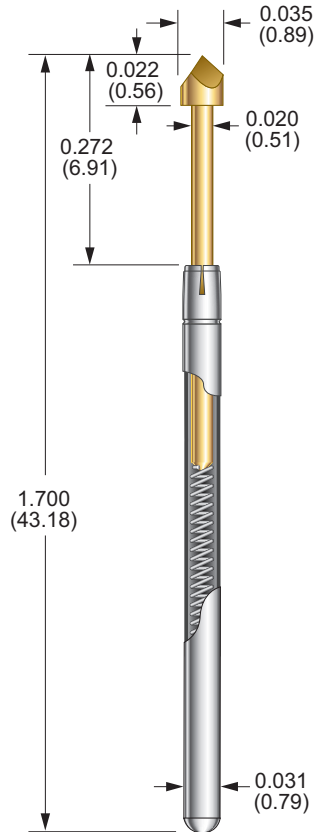
## ► ICT-50J SERIES

0.050 (1.27) Centers

For R-50J Series Receptacles see pg. 56

BECU TIPS	DIAMETER
<b>A</b>	0.035 (0.89)
<b>J</b>	0.020 (0.51)
<b>V8</b>	0.035 (0.89) 8 Pts.

STEEL TIPS	DIAMETER
<b>B</b>	0.020 (0.51)
<b>HS</b>	0.020 (0.51)
<b>M</b>	0.020 (0.51)
<b>S</b>	0.020 (0.51)
<b>SP</b>	0.020 (0.51)
<b>SW</b>	0.020 (0.51)
<b>T</b>	0.029 (0.74)
<b>TL</b>	0.035 (0.89)
<b>UR</b>	0.016 (0.41) 0.020 (0.51)
<b>Z</b>	0.020 (0.51)



### PROBE SPECIFICATIONS

<b>Minimum Centers</b>	0.050 (1.27)
<b>Current Rating</b>	3 A continuous
<b>Spring Force</b>	4.00 oz (113 g), 5.60 oz (159 g), 7.00 oz (198 g), or 10.00 oz (283 g) @ 0.170 (4.32) travel
<b>Preload Force</b>	1.80 oz (51 g) (4.00 oz spring/stainless steel) 2.50 oz (71 g) (5.60 oz spring/stainless steel) 3.10 oz (88 g) (7.00 oz spring/music wire) 4.60 oz (130 g) (10.00 oz spring/music wire)
<b>Typical Resistance</b>	< 20 mΩ
<b>Maximum Travel</b>	0.250 (6.35)
<b>Working Travel</b>	0.170 (4.32)

### MATERIALS

<b>Barrel</b>	Nickel/silver, gold lined
<b>Spring</b>	Music wire, nickel plated, or stainless steel
<b>Plunger</b>	Beryllium copper, or steel, gold plated over nickel

## HOW TO ORDER

**ICT - 50J - T - 5.6 - DG - S**

1      2      3      4      5      6

<b>1</b> ► SERIES	ICT <sup>(1)</sup>
<b>2</b> ► SIZE	50J
<b>3</b> ► TIP STYLE	A, B, HS, J, M, S, SP, SW, T, TL, UR, V8, Z
<b>4</b> ► SPRING FORCE	4 oz.      5.6 oz. 7 oz.      10 oz.
<b>5</b> ► PLUNGER PLATING	DG DURAGOLD™
<b>6</b> ► STEEL PLUNGER OPTION	S STEEL

## X-ON Electronics

Largest Supplier of Electrical and Electronic Components

*Click to view similar products for [Contact Probes](#) category:*

*Click to view products by [Smiths Interconnect](#) manufacturer:*

Other Similar products are found below :

[CT5253](#) [CT5082](#) [100039-033-958](#) [100077-003-0-0](#) [300122-031-1102](#) [R-2-RP-375](#) [S-4-C-5-G S/C](#) [300122-056-0203](#) [SS-75-B-2.4-G](#) [ICT-100-J-17-G](#) [SS-75-C-4.9-D D/C .620 OAL](#) [100165-033-952](#) [100024-002-942](#) [SS-75-E-4.9-D D/C .620 OAL](#) [SX-0-U-2.2-G D/C](#) [101740-028-948](#) [ICT-100-V8-8-G S/C](#) [ICT-100-A-8-G S/C](#) [ICT-075-B-10-G-S S/C](#) [S-2-D-8.3-G D/C](#) [S-2-D-10-G D/C](#) [GSS-19-7-G S/C OAL](#) [ICT-100-T-8-G S/C](#) [GSS-4-7-G](#) [S-0-B9-2.5-G S/C](#) [SS-40-J-2.4-G D/C](#) [S-0-A-2.2-D 660 S/C](#) [SS-50-J-3.3-D S/C](#) [S-0-V-3.7-G S/C](#) [SX-2-B-7-G D/C](#) [SX-1-U-6.6-G D/C](#) [SX-1-C-6.6-G D/C](#) [SS-75-D-4.9-D D/C .620 OAL](#) [SS-50-E-2.9-G S/C](#) [SS-40-J-1.8-G-N/L D/C](#) [SS-3-7-G S/C W/HOLE .373 OAL](#) [SS-18-7-G S/C W/HOLE .405 OAL](#) [SS-10-7-G S/C W/HOLE .373 OAL](#) [SS-1-7-G S/C W/HOLE .385 OAL](#) [SHE-5-H-18.7-G](#) [SHE-5-B-18.7-G](#) [SHE-5-A-18.7-G](#) [SHE-3-A-7-G](#) [SH-4-A-10-G S/C](#) [101057-001-952](#) [S-50C-HS-4.3-DG-S](#) [S-5-F-8-G S/C SS SPGS](#) [S-5-F-16.4-G S/C](#) [S-4-E-5-D S/C](#) [S-2-J-8.3-G D/C](#)