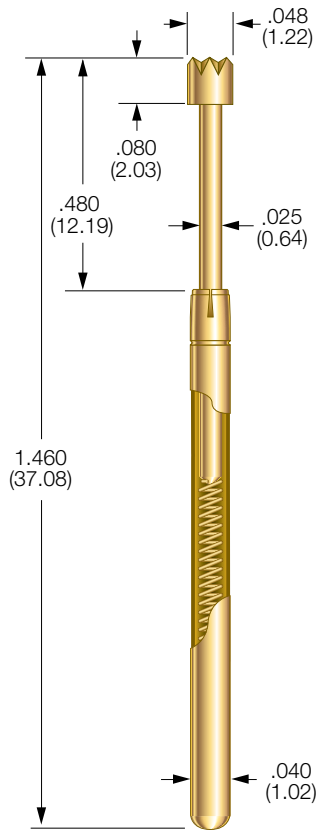
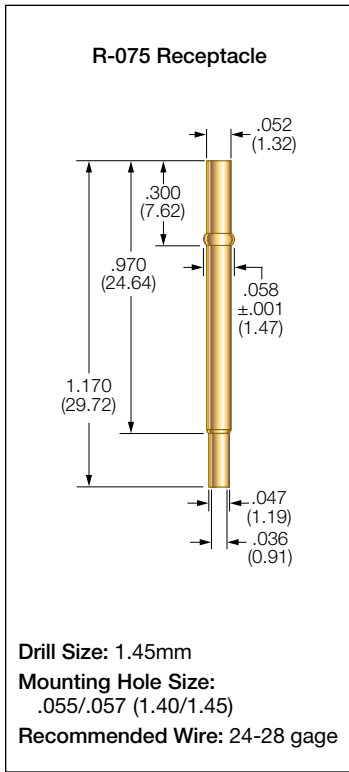


ICT-L075 PROBE



PROBE SPECIFICATIONS

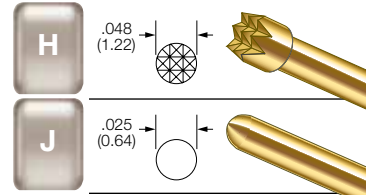
Minimum Centers: .075 (1.91)
 Current Rating: 3 amps continuous
 Spring Force: 4.3 oz. @ .317 (8.05) travel
 Typical Resistance: < 15 mΩ
 Maximum Travel: .400 (10.16)
 Working Travel: .317 (8.05)

Rated Force oz (g)	Preload oz (g)
4.3 (122)	1.8 (51)

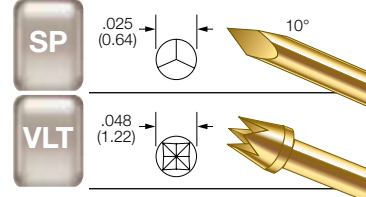
MATERIALS

Barrel: G2
 Spring: Music wire, gold plated
 Plunger: Beryllium copper or steel, gold plated over nickel
 Receptacle: Nickel/silver, gold plated; gold plated post

BeCu PLUNGER TIPS



STEEL PLUNGER TIPS



RECEPTACLE OPTIONS

Part Number	Style	Receptacle Length	Probe/Receptacle Combined Length	Comments
R-075-CR	Crimp	1.170 (29.72)	1.650 (41.91)	—
R-075-SC	Solder Cup	1.170 (29.72)	1.650 (41.91)	—
R-075-RP	Round Post	1.545 (39.24)	2.025 (51.44)	.375 post length - .025 dia.
R-075-WW-429	Wire Wrap	1.599 (40.61)	2.079 (52.81)	.429 post length - .025 sq.
R-075-WW-694	Wire Wrap	1.864 (47.35)	2.344 (59.54)	.694 post length - .025 sq.
R-075-WW-1.044	Wire Wrap	2.214 (56.24)	2.694 (68.43)	1.044 post length - .025 sq.

HOW TO ORDER: SPRING CONTACT PROBE

RECEPTACLE

ICT	L075	H	4.3	G	S
SERIES	SIZE	TIP STYLE	SPRING FORCE	PLATING OPTIONS	STEEL PLUNGER OPTION

R	075	WW	429
SERIES	SIZE	TERMINATION	POST LENGTH

SPRING FORCE:
 4.3 oz. @ .317 (8.05) TRAVEL
 CRIMPING PLIERS: CPR075
 INSERTION TOOL: RTR075

TERMINATIONS:
 CR: CRIMP
 SC: SOLDER CUP
 WW: WIRE WRAP
 RP: ROUND POST
 POST LENGTH:
 WW: 429, 694 OR 1.044

VIEW UPDATES OF THIS INFORMATION AT WWW.IDINET.COM

Specifications subject to change without notice. Dimensions in inches (millimeters)

X-ON Electronics

Largest Supplier of Electrical and Electronic Components

Click to view similar products for [Contact Probes](#) category:

Click to view products by [Smiths Interconnect](#) manufacturer:

Other Similar products are found below :

[CT5253](#) [CT5082](#) [100039-033-958](#) [100077-003-0-0](#) [300122-031-1102](#) [R-2-RP-375](#) [S-4-C-5-G S/C](#) [300122-056-0203](#) [SS-75-B-2.4-G](#) [ICT-100-J-17-G](#) [SS-75-C-4.9-D D/C .620 OAL](#) [100165-033-952](#) [100024-002-942](#) [SS-75-E-4.9-D D/C .620 OAL](#) [SX-0-U-2.2-G D/C](#) [101740-028-948](#) [ICT-100-V8-8-G S/C](#) [ICT-100-A-8-G S/C](#) [ICT-075-B-10-G-S S/C](#) [S-2-D-8.3-G D/C](#) [S-2-D-10-G D/C](#) [GSS-19-7-G S/C OAL](#) [ICT-100-T-8-G S/C](#) [GSS-4-7-G](#) [S-0-B9-2.5-G S/C](#) [SS-40-J-2.4-G D/C](#) [S-0-A-2.2-D 660 S/C](#) [SS-50-J-3.3-D S/C](#) [S-0-V-3.7-G S/C](#) [SX-2-B-7-G D/C](#) [SX-1-U-6.6-G D/C](#) [SX-1-C-6.6-G D/C](#) [SS-75-D-4.9-D D/C .620 OAL](#) [SS-50-E-2.9-G S/C](#) [SS-40-J-1.8-G-N/L D/C](#) [SS-3-7-G S/C W/HOLE .373 OAL](#) [SS-18-7-G S/C W/HOLE .405 OAL](#) [SS-10-7-G S/C W/HOLE .373 OAL](#) [SS-1-7-G S/C W/HOLE .385 OAL](#) [SHE-5-H-18.7-G](#) [SHE-5-B-18.7-G](#) [SHE-5-A-18.7-G](#) [SHE-3-A-7-G](#) [SH-4-A-10-G S/C](#) [101057-001-952](#) [S-50C-HS-4.3-DG-S](#) [S-5-F-8-G S/C SS SPGS](#) [S-5-F-16.4-G S/C](#) [S-4-E-5-D S/C](#) [S-2-J-8.3-G D/C](#)