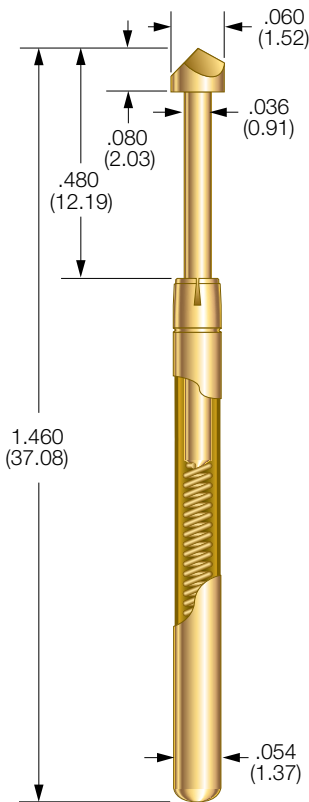
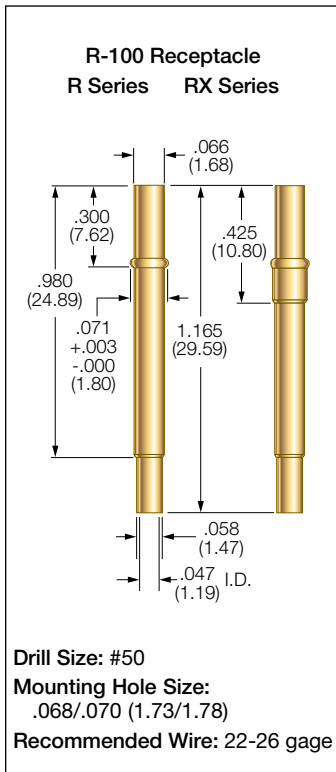


ICT-L100 PROBE



PROBE SPECIFICATIONS

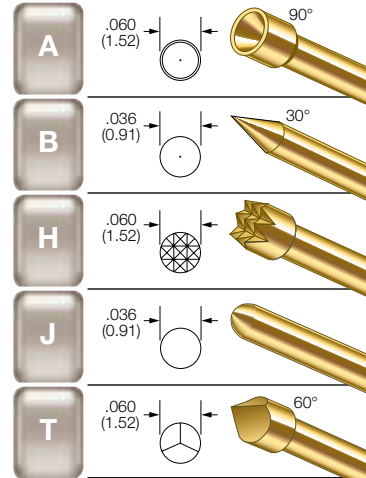
Minimum Centers: .100 (2.54)
Current Rating: 3 amps continuous
Spring Force: 5.7 oz. @.317 (8.05) travel
Typical Resistance: < 10 mΩ
Maximum Travel:
VLT tip: .385 (9.78)
All others: .400 (10.16)
Working Travel: .317 (8.05)

Rated Force oz (g)	Preload oz (g)
5.7 (162)	1.8 (51)

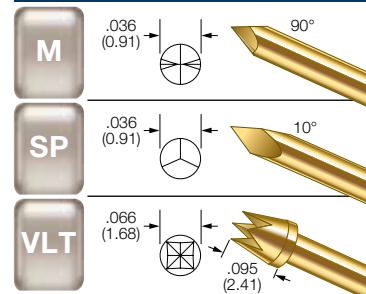
MATERIALS

Barrel: G2
Spring: Music wire, gold plated over nickel
Plunger: Beryllium copper or steel, gold plated over nickel
Receptacle: Nickel/silver, gold plated; gold plated post

BeCu PLUNGER TIPS



STEEL PLUNGER TIPS



RECEPTACLE OPTIONS

Part Number	Style	Receptacle Length	Probe/Receptacle Combined Length	Comments
R-100-CR	Crimp	1.165 (29.59)	1.645 (41.78)	—
R-100-SC	Solder Cup	1.165 (29.59)	1.645 (41.78)	—
R-100-RP	Round Post	1.540 (39.12)	2.020 (51.31)	.375 post length - .025 dia.
R-100-WW-429	Wire Wrap	1.594 (40.49)	2.074 (52.68)	.429 post length - .025 sq.
R-100-WW-694	Wire Wrap	1.859 (47.22)	2.339 (59.41)	.694 post length - .025 sq.
R-100-WW-1.044	Wire Wrap	2.209 (56.11)	2.689 (68.30)	1.044 post length - .025 sq.

HOW TO ORDER: SPRING CONTACT PROBE

RECEPTACLE

ICT	L100	T	5.7	G	S	R	100	WW	429
SERIES	SIZE	TIP STYLE	SPRING FORCE	PLATING OPTIONS	STEEL PLUNGER OPTION	SERIES	SIZE	TERMINATION	POST LENGTH
SPRING FORCE: 5.7 oz. @ .317 (8.05) travel CRIMPING PLIERS: CPR100 INSERTION TOOL: RTR100						TERMINATIONS: CR: CRIMP SC: SOLDER CUP WW: WIRE WRAP RP: ROUND POST POST LENGTH: WW: 429, 694 or 1.044			

VIEW UPDATES OF THIS INFORMATION AT WWW.IDINET.COM

Specifications subject to change without notice. Dimensions in inches (millimeters)

X-ON Electronics

Largest Supplier of Electrical and Electronic Components

Click to view similar products for [Contact Probes](#) category:

Click to view products by [Smiths Interconnect](#) manufacturer:

Other Similar products are found below :

[CT5253](#) [CT5082](#) [100039-033-958](#) [100077-003-0-0](#) [300122-031-1102](#) [R-2-RP-375](#) [S-4-C-5-G S/C](#) [300122-056-0203](#) [SS-75-B-2.4-G](#) [ICT-100-J-17-G](#) [SS-75-C-4.9-D D/C .620 OAL](#) [100165-033-952](#) [100024-002-942](#) [SS-75-E-4.9-D D/C .620 OAL](#) [SX-0-U-2.2-G D/C](#) [101740-028-948](#) [ICT-100-V8-8-G S/C](#) [ICT-100-A-8-G S/C](#) [ICT-075-B-10-G-S S/C](#) [S-2-D-8.3-G D/C](#) [S-2-D-10-G D/C](#) [GSS-19-7-G S/C OAL](#) [ICT-100-T-8-G S/C](#) [GSS-4-7-G](#) [S-0-B9-2.5-G S/C](#) [SS-40-J-2.4-G D/C](#) [S-0-A-2.2-D 660 S/C](#) [SS-50-J-3.3-D S/C](#) [S-0-V-3.7-G S/C](#) [SX-2-B-7-G D/C](#) [SX-1-U-6.6-G D/C](#) [SX-1-C-6.6-G D/C](#) [SS-75-D-4.9-D D/C .620 OAL](#) [SS-50-E-2.9-G S/C](#) [SS-40-J-1.8-G-N/L D/C](#) [SS-3-7-G S/C W/HOLE .373 OAL](#) [SS-18-7-G S/C W/HOLE .405 OAL](#) [SS-10-7-G S/C W/HOLE .373 OAL](#) [SS-1-7-G S/C W/HOLE .385 OAL](#) [SHE-5-H-18.7-G](#) [SHE-5-B-18.7-G](#) [SHE-5-A-18.7-G](#) [SHE-3-A-7-G](#) [SH-4-A-10-G S/C](#) [101057-001-952](#) [S-50C-HS-4.3-DG-S](#) [S-5-F-8-G S/C SS SPGS](#) [S-5-F-16.4-G S/C](#) [S-4-E-5-D S/C](#) [S-2-J-8.3-G D/C](#)