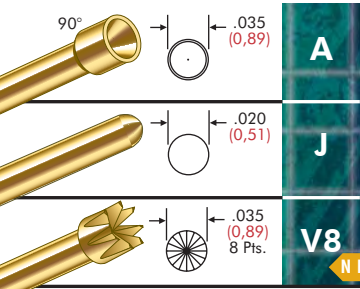
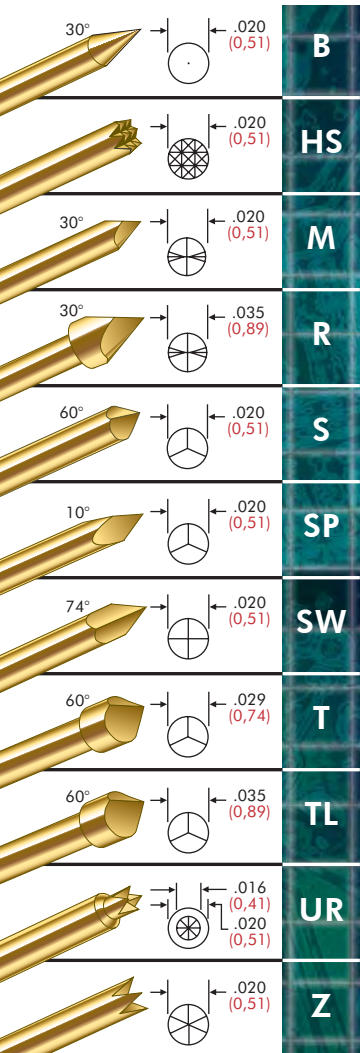


BeCu PLUNGER TIPS



STEEL PLUNGER TIPS



PROBE SPECIFICATIONS

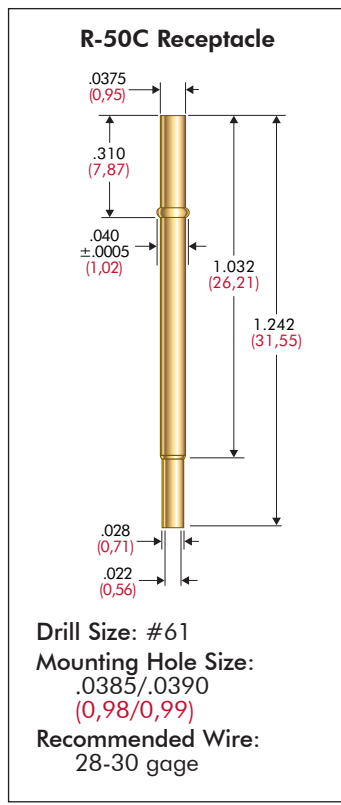
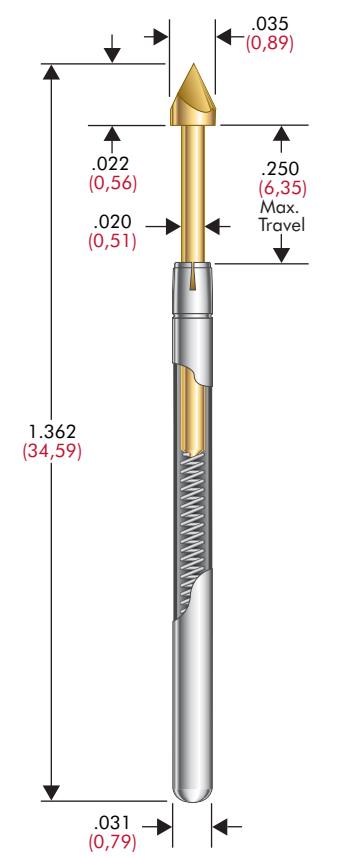
Minimum Centers: .050 (1,27)
 Current Rating: 3 amps continuous
 Spring Force: 4.3 or 5.6 oz. @ .170 (4,32) travel
 Typical Resistance: <20 mΩ
 Maximum Travel: .250 (6,35)
 Working Travel: .170 (4,32)

Rated Force oz (gms)	Preload oz (gms)	Material
4.3 (122)	1.9 (54)	SS
5.6 (159)	2.1 (60)	MW

MATERIALS

Barrel: DuraGold®
 Spring: Music wire, nickel plated or stainless steel
 Plunger: Full-hard beryllium copper or steel, gold plated over nickel
 Receptacle: Beryllium copper, gold plated
 Terminal: Nickel/silver, gold plated

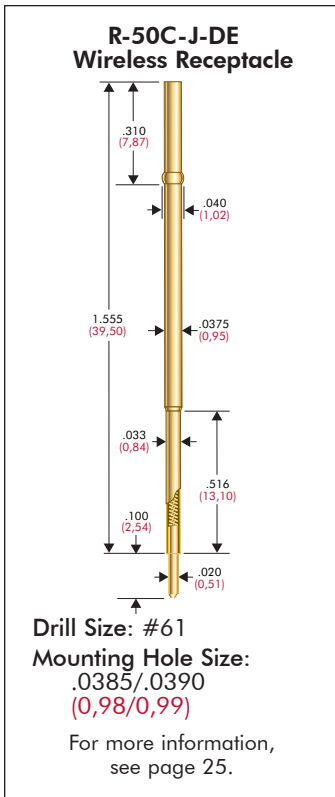
ICT-50C PROBE



RECEPTACLE OPTIONS

Part Number	Style	Receptacle Length	Probe/Receptacle Combined Length	Comments
R-50C-CR	Crimp	1.242 (31,54)	1.572 (39,92)	—
R-50C-SC	Solder Cup	1.242 (31,54)	1.572 (39,92)	—
R-50C-WW-016	Wire Wrap	1.492 (37,89)	1.822 (46,27)	.250 post length - .016 sq.
R-50C-WW-025	Wire Wrap	1.542 (39,16)	1.872 (47,55)	.300 post length - .025 sq.
R-50C-DS	Duraseal*	1.242 (31,54)	1.572 (39,92)	30 or 28 gage wire, vacuum sealed
R-50C-WT	Plug-In Receptacle	1.242 (31,54)	1.572 (39,92)	For use with WT-EZ plug-in terminal
WT-EZ	Plug-In Terminal*	—	—	Plugs into R-50C-WT receptacle

* Unless otherwise specified, wire length 36", strip length 1", 30 gage Kynar



PROBE SPECIFICATIONS

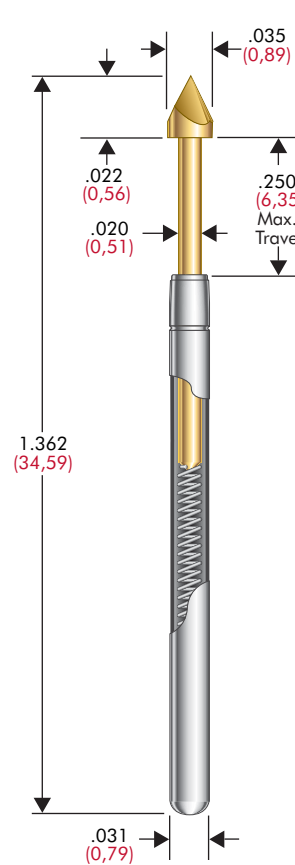
Minimum Centers: .050 (1,27)
Current Rating: 3 amps
continuous
Spring Force: 4.3 or 5.6 oz. @
.170 (4,32) travel
Typical Resistance: <25 mΩ
Maximum Travel: .250 (6,35)
Working Travel: .170 (4,32)

Rated Force oz (gms)	Preload oz (gms)	Material
3.2 (91)	1.5 (43)	SS
4.3 (122)	1.9 (54)	SS
5.6 (159)	2.1 (60)	MW

MATERIALS

Barrel: DuraGold®
Spring: Music wire, nickel plated
or stainless steel
Plunger: Full-hard beryllium
copper or steel, gold plated
over nickel
Receptacle: Beryllium copper,
gold plated
Terminal: Nickel/silver, gold
plated

S-50C PROBE



PLUNGER TIPS

All plunger tips offered
in the ICT-50C are also
available in the S-50C
Series

HOW TO ORDER:

SPRING CONTACT PROBE

RECEPTACLE

ICT

SERIES

SERIES:

ICT: High Performance
S: Standard Performance,
(No Bifurcated Beam)

CRIMPING PLIERS: CPR50C

INSERTION TOOL: RTR50C

50C

SIZE

T

TIP
STYLE

5.6

SPRING
FORCE

SPRING FORCE:
4.3 oz. @ .170 (4,32) travel
5.6 oz. @ .170 (4,32) travel

DG

PLATING
OPTION

S

STEEL
PLUNGER
OPTION

R

SERIES

50C

SIZE

WW

TERMINATION

TERMINATIONS:
CR: Crimp
SC: Solder Cup
WW: Wire Wrap
WT: Plug-In Receptacle**
WT-EZ: Plug-In Terminal*
DS: Duraseal*

* Unless otherwise specified, wire length 36", strip length 1", 30 gage Kynar
** For use with WT-EZ plug-in terminal

016

POST
SIZE

POST SIZE:
WW: 016 or 025

View updates of this information at www.idinet.com

Specifications subject to change without notice. Dimensions in inches (millimeters)

X-ON Electronics

Largest Supplier of Electrical and Electronic Components

Click to view similar products for [Contact Probes](#) category:

Click to view products by [Smiths Interconnect](#) manufacturer:

Other Similar products are found below :

[CT5253](#) [CT5082](#) [100039-033-958](#) [100077-003-0-0](#) [300122-031-1102](#) [R-2-RP-375](#) [S-4-C-5-G S/C](#) [300122-056-0203](#) [SS-75-B-2.4-G](#) [ICT-100-J-17-G](#) [SS-75-C-4.9-D D/C .620 OAL](#) [100165-033-952](#) [100024-002-942](#) [SS-75-E-4.9-D D/C .620 OAL](#) [SX-0-U-2.2-G D/C](#) [101740-028-948](#) [ICT-100-V8-8-G S/C](#) [ICT-100-A-8-G S/C](#) [ICT-075-B-10-G-S S/C](#) [S-2-D-8.3-G D/C](#) [S-2-D-10-G D/C](#) [GSS-19-7-G S/C OAL](#) [ICT-100-T-8-G S/C](#) [GSS-4-7-G](#) [S-0-B9-2.5-G S/C](#) [SS-40-J-2.4-G D/C](#) [S-0-A-2.2-D 660 S/C](#) [SS-50-J-3.3-D S/C](#) [S-0-V-3.7-G S/C](#) [SX-2-B-7-G D/C](#) [SX-1-U-6.6-G D/C](#) [SX-1-C-6.6-G D/C](#) [SS-75-D-4.9-D D/C .620 OAL](#) [SS-50-E-2.9-G S/C](#) [SS-40-J-1.8-G-N/L D/C](#) [SS-3-7-G S/C W/HOLE .373 OAL](#) [SS-18-7-G S/C W/HOLE .405 OAL](#) [SS-10-7-G S/C W/HOLE .373 OAL](#) [SS-1-7-G S/C W/HOLE .385 OAL](#) [SHE-5-H-18.7-G](#) [SHE-5-B-18.7-G](#) [SHE-5-A-18.7-G](#) [SHE-3-A-7-G](#) [SH-4-A-10-G S/C](#) [101057-001-952](#) [S-50C-HS-4.3-DG-S](#) [S-5-F-8-G S/C SS SPGS](#) [S-5-F-16.4-G S/C](#) [S-4-E-5-D S/C](#) [S-2-J-8.3-G D/C](#)