

SH-100 and SHE-100 .100 CENTERS

SHE-100 PLUNGER TIPS



SH-100 PLUNGER TIPS



PROBE SPECIFICATIONS

Minimum Centers: .100 (2.54)

Current Rating:

SHE-100: 8 amps continuous
SH-100: 15 amps continuous
(Individual probe in free air @ ambient temperature)

Spring Force:

4.0 oz. or 6.7 oz. @ .170 (4.32) travel

Maximum Travel: .250 (6.35)

Working Travel: .170 (4.32)

Rated Force oz. (g)	Preload oz. (g)
4.0* (113)	1.6 (45)
6.7 (190)	2.4 (68)

* SH-100 only

MATERIALS

Barrel: High performance copper alloy, gold plated

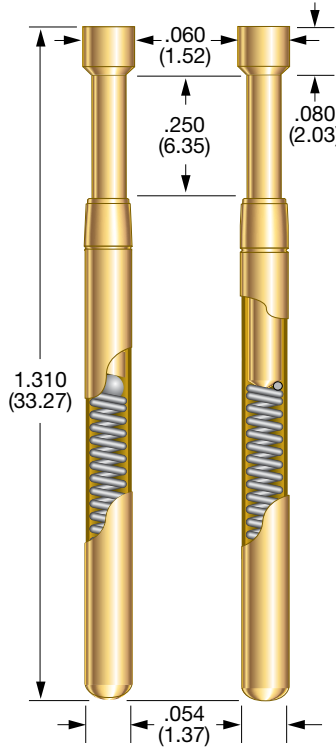
Spring: Stainless steel

Plunger: Beryllium copper, gold plated

Ball: SH probe: Stainless steel

Receptacle: Copper alloy, gold plated

SH-100 SHE-100

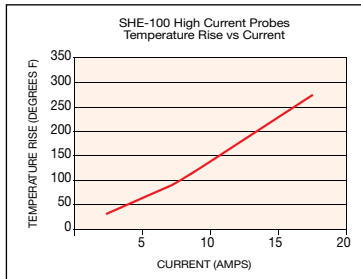
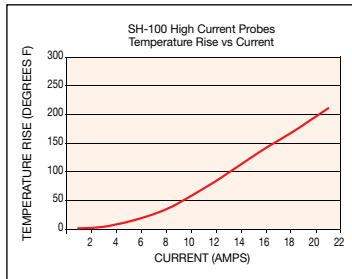


Drill Size: #50

Mounting Hole Size: .068/.070 (1.73/1.78)

Recommended Wire: 22-26 gage

.100 CENTER HIGH CURRENT PROBES



ID1 current ratings are defined as the maximum current at which the temperature rise of the probe does not exceed 144°F (80°C) for a single probe in free air at ambient temperature for one hour.

RECEPTACLE OPTIONS

Part Number	Style	Receptacle Length	Probe/Receptacle Combined Length	Comments
RH-100-SC	Solder Cup	1.165 (29.59)	1.495 (37.97)	—
RH-100-WW-429	Wire Wrap	1.594 (40.49)	1.924 (48.87)	.429 post length - .025 sq.

HOW TO ORDER: SPRING CONTACT PROBE

RECEPTACLE

SHE **100** **A** **6.7** **G**
 SERIES SIZE TIP STYLE SPRING FORCE PLATING OPTIONS

SERIES:
SHE: 8 AMPS
SH: 15 AMPS

SPRING FORCE:
4.0* oz. @ .170 (4.32) TRAVEL
6.7 oz. @ .170 (4.32) TRAVEL

* SH-100 ONLY

RH **100** **WW** **429**
 SERIES SIZE TERMINATION POST LENGTH

TERMINATIONS:
SC: SOLDER CUP
WW: WIRE WRAP

POST LENGTH
WW: 429

VIEW UPDATES OF THIS INFORMATION AT WWW.IDINET.COM

Specifications subject to change without notice. Dimensions in inches (millimeters)

X-ON Electronics

Largest Supplier of Electrical and Electronic Components

Click to view similar products for [Contact Probes](#) category:

Click to view products by [Smiths Interconnect](#) manufacturer:

Other Similar products are found below :

[CT5253](#) [CT5082](#) [100039-033-958](#) [100077-003-0-0](#) [300122-031-1102](#) [R-2-RP-375](#) [S-4-C-5-G S/C](#) [300122-056-0203](#) [SS-75-B-2.4-G](#) [ICT-100-J-17-G](#) [SS-75-C-4.9-D D/C .620 OAL](#) [100165-033-952](#) [100024-002-942](#) [SS-75-E-4.9-D D/C .620 OAL](#) [SX-0-U-2.2-G D/C](#) [101740-028-948](#) [ICT-100-V8-8-G S/C](#) [ICT-100-A-8-G S/C](#) [ICT-075-B-10-G-S S/C](#) [S-2-D-8.3-G D/C](#) [S-2-D-10-G D/C](#) [GSS-19-7-G S/C OAL](#) [ICT-100-T-8-G S/C](#) [GSS-4-7-G](#) [S-0-B9-2.5-G S/C](#) [SS-40-J-2.4-G D/C](#) [S-0-A-2.2-D 660 S/C](#) [SS-50-J-3.3-D S/C](#) [S-0-V-3.7-G S/C](#) [SX-2-B-7-G D/C](#) [SX-1-U-6.6-G D/C](#) [SX-1-C-6.6-G D/C](#) [SS-75-D-4.9-D D/C .620 OAL](#) [SS-50-E-2.9-G S/C](#) [SS-40-J-1.8-G-N/L D/C](#) [SS-3-7-G S/C W/HOLE .373 OAL](#) [SS-18-7-G S/C W/HOLE .405 OAL](#) [SS-10-7-G S/C W/HOLE .373 OAL](#) [SS-1-7-G S/C W/HOLE .385 OAL](#) [SHE-5-H-18.7-G](#) [SHE-5-B-18.7-G](#) [SHE-5-A-18.7-G](#) [SHE-3-A-7-G](#) [SH-4-A-10-G S/C](#) [101057-001-952](#) [S-50C-HS-4.3-DG-S](#) [S-5-F-8-G S/C SS SPGS](#) [S-5-F-16.4-G S/C](#) [S-4-E-5-D S/C](#) [S-2-J-8.3-G D/C](#)