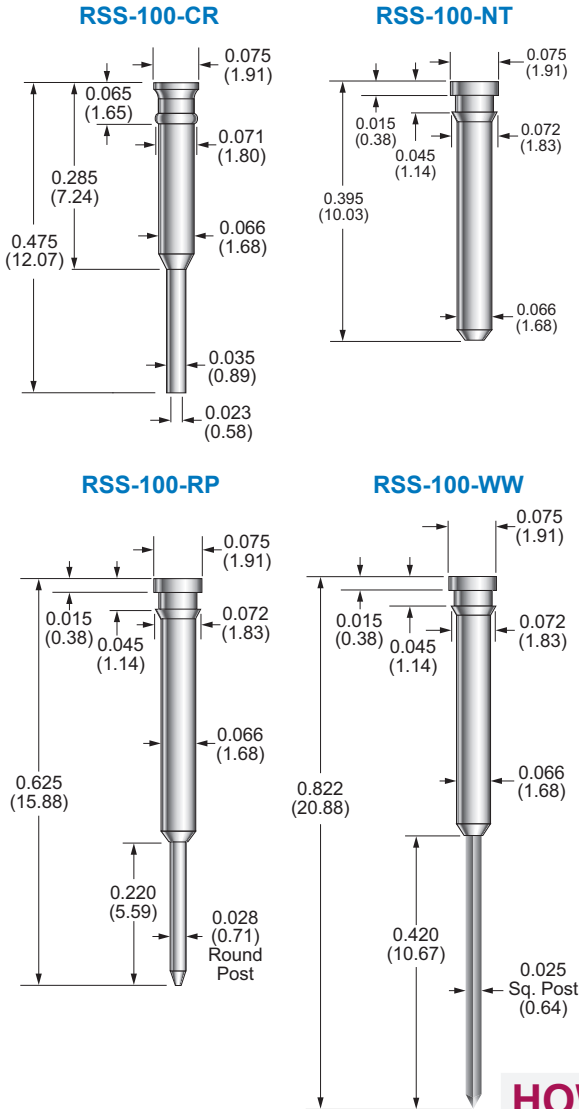


► RSS-100 SERIES

0.100 (2.54) Centers

For SS/GSS Series Probes see pg. 19



PROBE SPECIFICATIONS

Minimum Centers	0.100 (2.54)
Drill Size	#50
Mounting Hole Size	0.068/0.070 (1.73/1.78)
Recommended Wire	28-30 gage
Materials	Nickel/silver

TOOLS

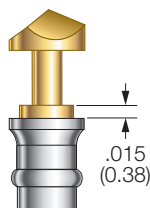
Crimping Pliers	CP-SS-100 (for 28-30 gage solid conductor)
Insertion Tool	RT-SS-100

PART NUMBER	STYLE	RECEPTACLE LENGTH	PROBE/RECEPTACLE COMBINED LENGTH	NOTES
RSS-100-CR	Crimp	0.475 (12.07)	0.550 (13.97) ⁽¹⁾	—
RSS-100-NT	No Tail	0.402 (10.21)	0.462 (11.73) ⁽¹⁾	—
RSS-100-RP	Round Post	0.625 (15.88)	0.685 (17.40) ⁽¹⁾	0.220 post length – 0.028 dia.
RSS-100-WW	Wire Wrap	0.822 (20.88)	0.882 (22.40) ⁽¹⁾	0.420 post length – 0.025 dia.
RSS-100-PW-12-1	Preattached Wire ⁽²⁾	0.475 (12.07)	0.550 (13.97) ⁽¹⁾	12" wire length, 1" strip length
RSS-100-PW-36-1	Preattached Wire ⁽²⁾	0.475 (12.07)	0.550 (13.97) ⁽¹⁾	36" wire length, 1" strip length

TIP	HEAD LENGTH	TIP	HEAD LENGTH
1	0.040 (1.02)	10	0.028 (0.71)
2	0.028 (0.71)	11	0.040 (1.02)
3	0.028 (0.71)	18	0.060 (1.52)
4	0.040 (1.02)	19	0.055 (1.40)
5	0.080 (2.03)		

PROBE EXTENSION

See chart for head length



HOW TO ORDER

	RSS - 100 - WW - G
	1 2 3 4
1 ► SERIES	RSS
2 ► SIZE	100
3 ► TERMINATION	CR CRIMP
	NT NO TAIL
	RP ROUND POST
	WW WIRE WRAP
	PW - 12 - 1 PREATTACHED WIRE 12 IN., 1 IN. STRIP LENGTH ⁽¹⁾
	PW - 36 - 1 PREATTACHED WIRE 36 IN., 1 IN. STRIP LENGTH ⁽¹⁾
4 ► PLATING OPTION	G GOLD

1. Plus head length per tip style – see chart
 2. Wire length 36" with a 1" strip length, 12" & 36" standard, blue solid conductor Kynar wire
 Dimensions are in inches (mm) | All specifications are subject to change

X-ON Electronics

Largest Supplier of Electrical and Electronic Components

Click to view similar products for [Contact Probes](#) category:

Click to view products by [Smiths Interconnect](#) manufacturer:

Other Similar products are found below :

[CT5253](#) [CT5082](#) [100039-033-958](#) [100077-003-0-0](#) [300122-031-1102](#) [R-2-RP-375](#) [S-4-C-5-G S/C](#) [300122-056-0203](#) [SS-75-B-2.4-G](#) [ICT-100-J-17-G](#) [SS-75-C-4.9-D D/C .620 OAL](#) [100165-033-952](#) [100024-002-942](#) [SS-75-E-4.9-D D/C .620 OAL](#) [SX-0-U-2.2-G D/C](#) [101740-028-948](#) [ICT-100-V8-8-G S/C](#) [ICT-100-A-8-G S/C](#) [ICT-075-B-10-G-S S/C](#) [S-2-D-8.3-G D/C](#) [S-2-D-10-G D/C](#) [GSS-19-7-G S/C OAL](#) [ICT-100-T-8-G S/C](#) [GSS-4-7-G](#) [S-0-B9-2.5-G S/C](#) [SS-40-J-2.4-G D/C](#) [S-0-A-2.2-D 660 S/C](#) [SS-50-J-3.3-D S/C](#) [S-0-V-3.7-G S/C](#) [SX-2-B-7-G D/C](#) [SX-1-U-6.6-G D/C](#) [SX-1-C-6.6-G D/C](#) [SS-75-D-4.9-D D/C .620 OAL](#) [SS-50-E-2.9-G S/C](#) [SS-40-J-1.8-G-N/L D/C](#) [SS-3-7-G S/C W/HOLE .373 OAL](#) [SS-18-7-G S/C W/HOLE .405 OAL](#) [SS-10-7-G S/C W/HOLE .373 OAL](#) [SS-1-7-G S/C W/HOLE .385 OAL](#) [SHE-5-H-18.7-G](#) [SHE-5-B-18.7-G](#) [SHE-5-A-18.7-G](#) [SHE-3-A-7-G](#) [SH-4-A-10-G S/C](#) [101057-001-952](#) [S-50C-HS-4.3-DG-S](#) [S-5-F-8-G S/C SS SPGS](#) [S-5-F-16.4-G S/C](#) [S-4-E-5-D S/C](#) [S-2-J-8.3-G D/C](#)