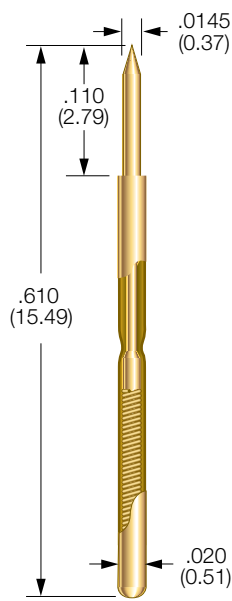
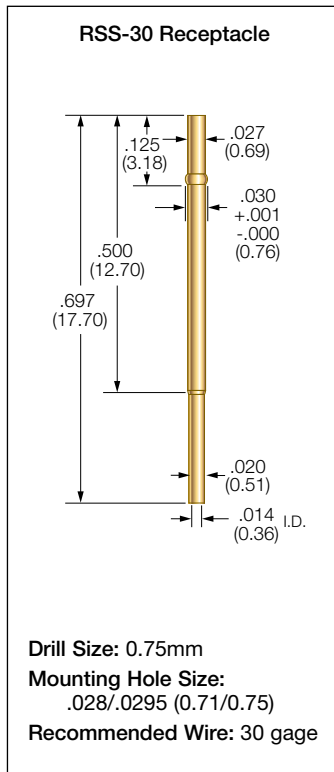


.039 Centers - Size 30 Series SS

SS-30 Probe



PROBE SPECIFICATIONS

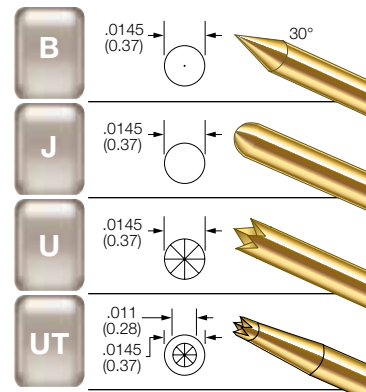
Minimum Centers: .039 (0.99)
Current Rating: 3 amps continuous
Spring Force: 1.3 or 1.6 oz. @ .067 (1.70) travel
Typical Resistance: < 40 mΩ
Maximum Travel: .100 (2.54)
Working Travel: .067 (1.70)

Rated Force oz. (g)	Preload oz. (g)	Material
1.3 (37)	0.5 (14)	SS
1.6 (45)	0.5 (14)	MW

MATERIALS

Barrel: Nickel/silver, preplated gold
Spring: Stainless steel or music wire, gold plated
Plunger: Beryllium copper, gold plated over nickel or Duralloy™
Receptacle: Nickel/silver, preplated gold

BeCu PLUNGER TIPS



RECEPTACLE OPTIONS

Part Number	Style	Receptacle Length	Probe/Receptacle Combined Length	Comments
R-SS-30-CR	Crimp	0.697 (17.70)	0.807 (20.50)	-
R-SS-30-SC	Solder Cup	0.697 (17.70)	0.807 (20.50)	-
R-SS-30-PS	Preattached Wire*	0.697 (17.70)	0.807 (20.50)	30 gage, vacuum sealed

HOW TO ORDER: SPRING CONTACT PROBE

SS SERIES **30** SIZE **B** TIP STYLE **1.3** SPRING FORCE **G** PLATING OPTIONS

SPRING FORCE:
 1.3 oz. @ .067 (1.70) TRAVEL
 1.6 oz. @ .067 (1.70) TRAVEL

PLATING OPTIONS:
G: GOLD PLATED PLUNGER
D: DURALLOY™ PLATED PLUNGER

CRIMPING PLIERS: CPSS30
INSERTION TOOL: RTSS30

RECEPTACLE

R-SS SERIES **30** SIZE **CR** TERMINATIONS

TERMINATIONS:
CR: CRIMP
SC: SOLDER CUP
PS: PREATTACHED WIRE*

* UNLESS OTHERWISE SPECIFIED, WIRE LENGTH 36" WITH A 1" SEMI-STRIP. 12" & 36" STANDARD.

VIEW UPDATES OF THIS INFORMATION AT WWW.IDINET.COM

Specifications subject to change without notice. Dimensions in inches (millimeters)

X-ON Electronics

Largest Supplier of Electrical and Electronic Components

Click to view similar products for [Contact Probes](#) category:

Click to view products by [Smiths Interconnect](#) manufacturer:

Other Similar products are found below :

[CT5253](#) [CT5082](#) [100039-033-958](#) [100077-003-0-0](#) [300122-031-1102](#) [R-2-RP-375](#) [S-4-C-5-G S/C](#) [300122-056-0203](#) [SS-75-B-2.4-G](#) [ICT-100-J-17-G](#) [SS-75-C-4.9-D D/C .620 OAL](#) [100165-033-952](#) [100024-002-942](#) [SS-75-E-4.9-D D/C .620 OAL](#) [SX-0-U-2.2-G D/C](#) [101740-028-948](#) [ICT-100-V8-8-G S/C](#) [ICT-100-A-8-G S/C](#) [ICT-075-B-10-G-S S/C](#) [S-2-D-8.3-G D/C](#) [S-2-D-10-G D/C](#) [GSS-19-7-G S/C OAL](#) [ICT-100-T-8-G S/C](#) [GSS-4-7-G](#) [S-0-B9-2.5-G S/C](#) [SS-40-J-2.4-G D/C](#) [S-0-A-2.2-D 660 S/C](#) [SS-50-J-3.3-D S/C](#) [S-0-V-3.7-G S/C](#) [SX-2-B-7-G D/C](#) [SX-1-U-6.6-G D/C](#) [SX-1-C-6.6-G D/C](#) [SS-75-D-4.9-D D/C .620 OAL](#) [SS-50-E-2.9-G S/C](#) [SS-40-J-1.8-G-N/L D/C](#) [SS-3-7-G S/C W/HOLE .373 OAL](#) [SS-18-7-G S/C W/HOLE .405 OAL](#) [SS-10-7-G S/C W/HOLE .373 OAL](#) [SS-1-7-G S/C W/HOLE .385 OAL](#) [SHE-5-H-18.7-G](#) [SHE-5-B-18.7-G](#) [SHE-5-A-18.7-G](#) [SHE-3-A-7-G](#) [SH-4-A-10-G S/C](#) [101057-001-952](#) [S-50C-HS-4.3-DG-S](#) [S-5-F-8-G S/C SS SPGS](#) [S-5-F-16.4-G S/C](#) [S-4-E-5-D S/C](#) [S-2-J-8.3-G D/C](#)